

● General Description

The AGMH20P15D combines advanced trench MOSFET technology with a low resistance package to provide extremely low $R_{DS(ON)}$

This device is ideal for load switch and battery protection applications.

● Features

- Advance high cell density Trench technology
- Low $R_{DS(ON)}$ to minimize conductive loss
- Low Gate Charge for fast switching
- Low Thermal resistance
- 100% Avalanche test
- 100% DVDS tested

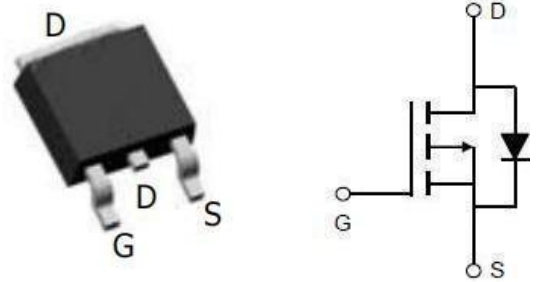
● Application

- MB/VGA Vcore
- SMPS 2nd Synchronous Rectifier
- POL application
- BLDC Motor driver

Product Summary

BVDSS	RDSON	ID
-150V	150mΩ	-20A

TO-252 Pin Configuration



Package Marking and Ordering Information

Device Marking	Device	Device Package	Reel Size	Tape width	Quantity
AGMH20P15D	AGMH20P15D	TO-252	330mm	16mm	2500

Table 1. Absolute Maximum Ratings (TC=25°C)

Symbol	Parameter	Value	Unit
VDS	Drain-Source Voltage (VGS=0V)	-150	V
VGS	Gate-Source Voltage (VDS=0V)	±20	V
ID	Drain Current-Continuous(Tc=25°C) (Note 1)	-20	A
	Drain Current-Continuous(Tc=100°C)	-12	A
IDM (pluse)	Drain Current-Continuous@ Current-Pulsed (Note 2)	-90	A
PD	Maximum Power Dissipation(Tc=25°C)	156	w
	Maximum Power Dissipation(Tc=100°C)	62.5	w
EAS	Avalanche energy (Note 3)	20	mJ
TJ,TSTG	Operating Junction and Storage Temperature Range	-55 To 150	°C

Table 2. Thermal Characteristic

Symbol	Parameter	Typ	Max	Unit
RθJA	Thermal Resistance Junction-ambient (Steady State) ¹	---	50	°C/W
RθJC	Thermal Resistance Junction-Case ¹	---	0.8	°C/W

Table 3. Electrical Characteristics (TC=25°C unless otherwise noted)

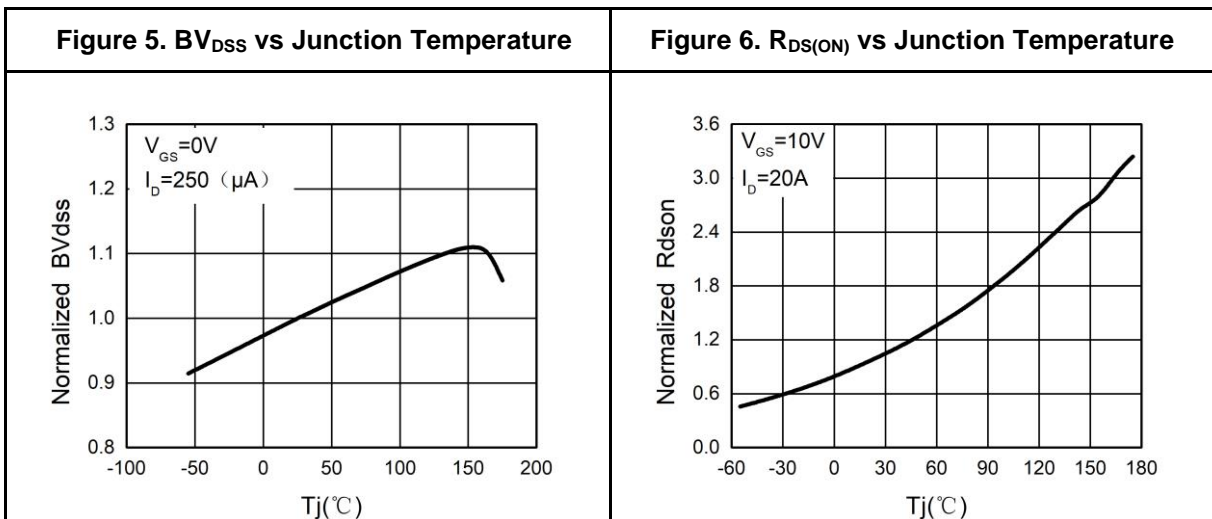
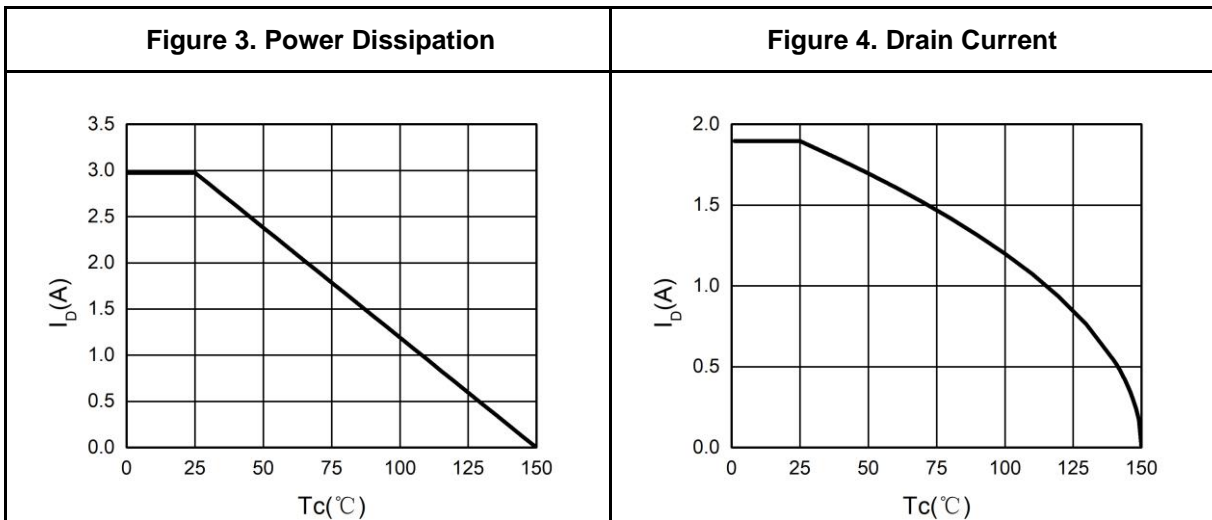
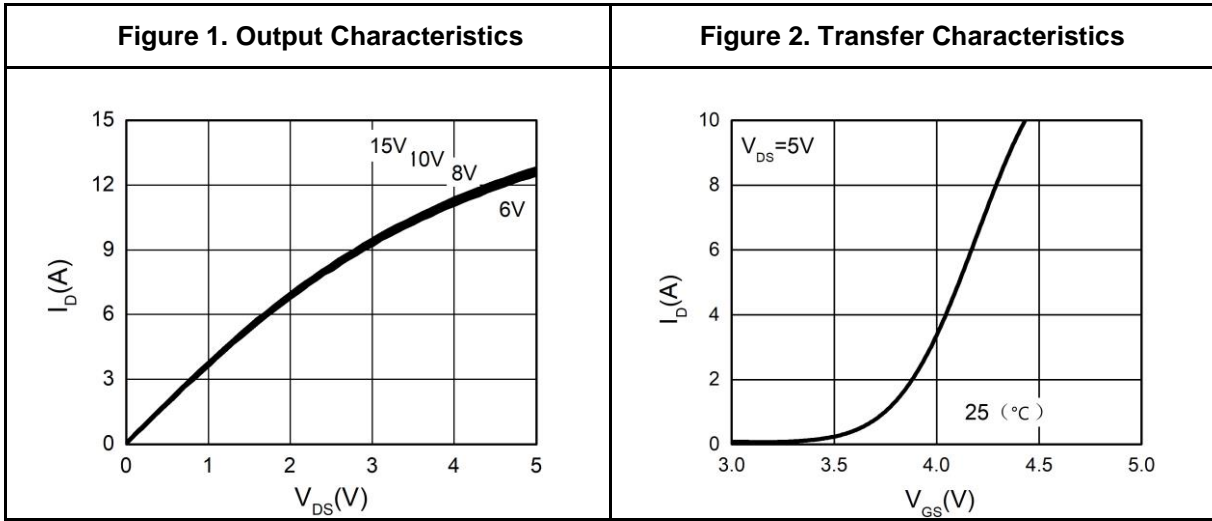
Symbol	Parameter	Conditions	Min	Typ	Max	Unit
On/Off States						
BVDSS	Drain-Source Breakdown Voltage	VGS=0V ID=-250μA	-150	--	--	V
IDSS	Zero Gate Voltage Drain Current	VDS=-150V, VGS=0V	--	--	-1	μA
IGSS	Gate-Body Leakage Current	VGS=±20V, VDS=0V	--	--	±100	nA
VGS(th)	Gate Threshold Voltage	VDS=VGS, ID=-250μA	-2.0	-2.6	-4.0	V
gFS	Forward Transconductance	VDS=5V, ID=-3A	--	15	--	S
RDS(on)	Drain-Source On-State Resistance	VGS=-10V, ID=-5A	--	150	170	mΩ
Dynamic Characteristics						
Ciss	Input Capacitance	VDS=-50V, VGS=0V, F=1MHZ	--	4228	--	pF
Coss	Output Capacitance		--	1216	--	pF
Crss	Reverse Transfer Capacitance		--	1028	--	pF
Rg	Gate resistance	f=1.0MHz	--	10.5	--	Ω
Switching Times						
td(on)	Turn-on Delay Time	VGS=-10V, VDS=-50V, RGEN=9.1Ω	--	60	--	nS
tr	Turn-on Rise Time		--	68	--	nS
td(off)	Turn-Off Delay Time		--	482	--	nS
tf	Turn-Off Fall Time		--	262	--	nS
Qg	Total Gate Charge	VGS=-10V, VDS=-50V, ID=-5A	--	78	--	nC
Qgs	Gate-Source Charge		--	16	--	nC
Qgd	Gate-Drain Charge		--	19	--	nC
Source-Drain Diode Characteristics						
ISD	Source-Drain Current(Body Diode)		--	--	-20	A
VSD	Forward on Voltage	VGS=0V, IS=-5A	--	--	-1.2	V
trr	Reverse Recovery Time	Isd=-5A , dI/dt=100A/μs ,	--	68	--	ns
Qrr	Reverse Recovery Charge	TJ=25°C	--	65	--	nc

Notes 1.The maximum current rating is package limited.

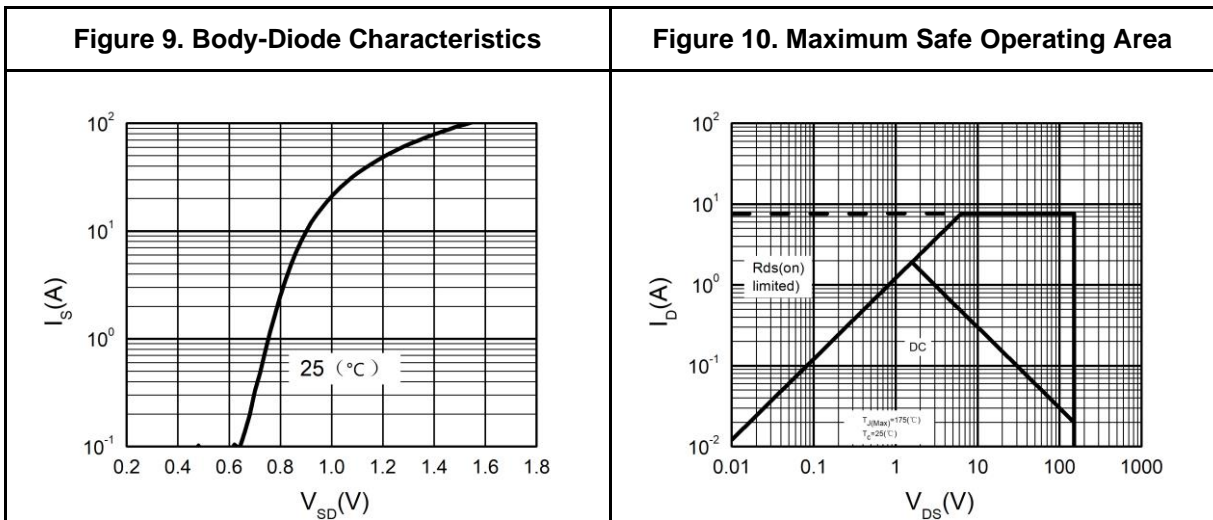
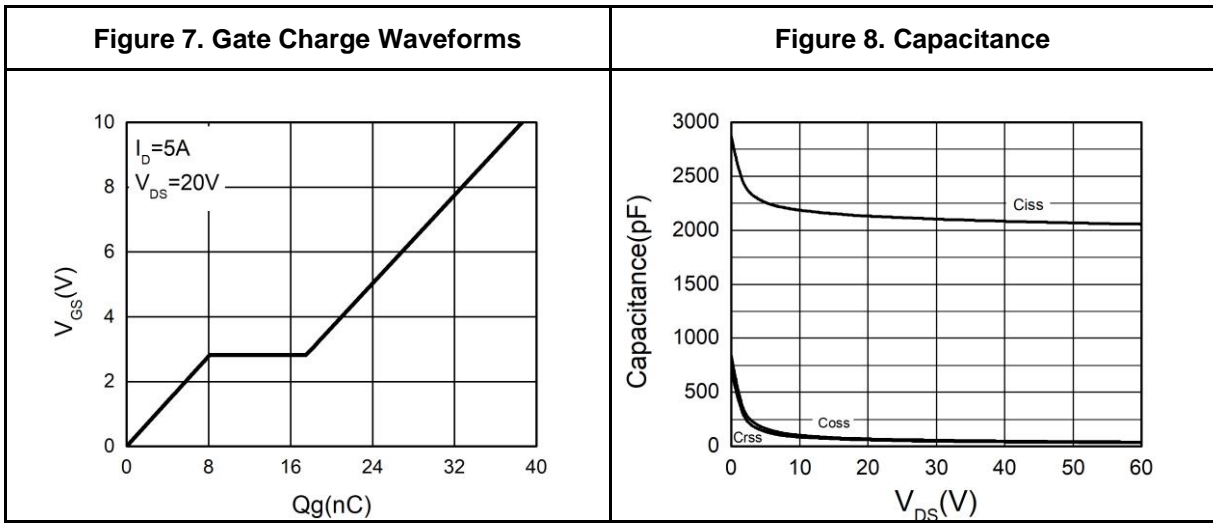
Notes 2.Repetitive Rating: Pulse width limited by maximum junction temperature

Notes 3.EAS condition: TJ=25°C

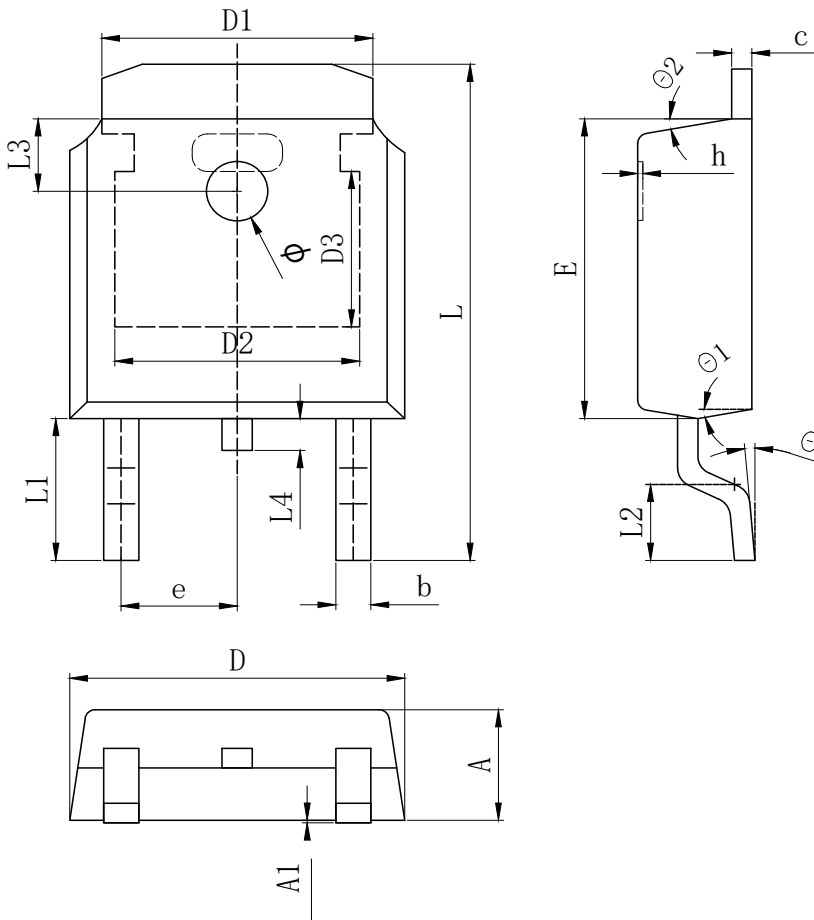
Typical Electrical And Thermal Characteristics (Curves)



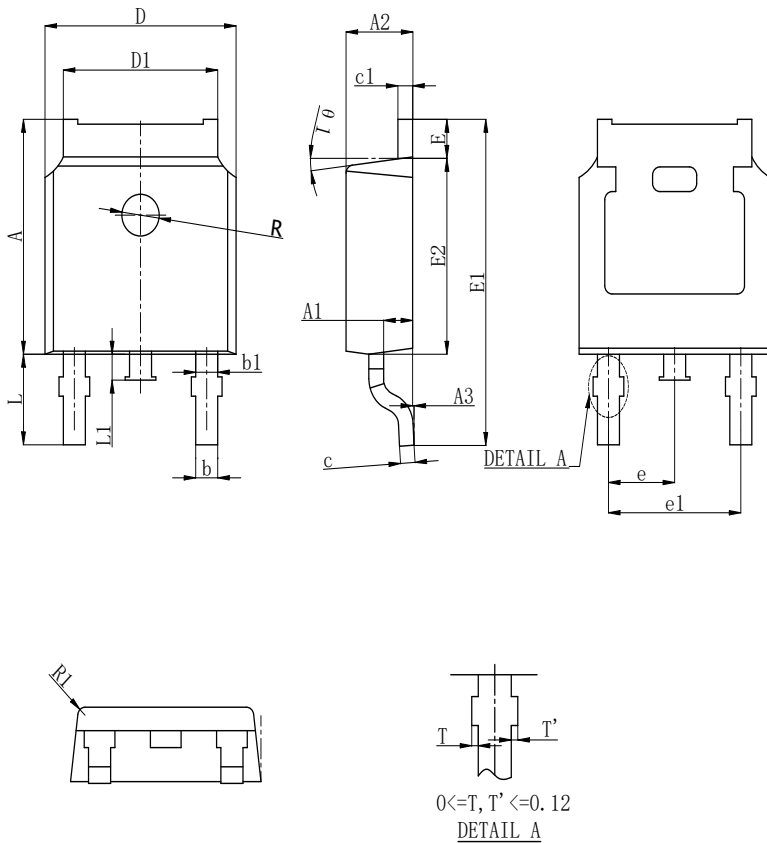
Typical Electrical And Thermal Characteristics (Curves)



TO-252 Package Outline Data



SYMBOL	MILLIMETER		
	MIN	Typ.	MAX
A	2.200	2.300	2.400
A1	0.000		0.127
b	0.640	0.690	0.740
c (电镀后)	0.460	0.520	0.580
D	6.500	6.600	6.700
D1	5.334 REF		
D2	4.826 REF		
D3	3.166 REF		
E	6.000	6.100	6.200
e	2.286 TYP		
h	0.000	0.100	0.200
L	9.900	10.100	10.300
L1	2.888 REF		
L2	1.400	1.550	1.700
L3	1.600 REF		
L4	0.600	0.800	1.000
phi	1.100	1.200	1.300
theta	0°		8°
theta 1	9° TYP		
theta 2	9° TYP		



SYMBOL	MILLIMETER		
	MIN	NOM	MAX
A	7.050	7.100	7.150
A1	0.960	1.010	1.060
A2	2.250	2.300	2.350
A3	0.000	0.050	0.100
b	0.760REF.		
b1	1.000REF.		
c	0.508REF.		
c1	0.508REF.		
D	6.550	6.600	6.650
D1	5.220	5.320	5.420
E	0.950	1.000	1.050
E1	9.700	9.900	10.100
E2	6.050	6.100	6.150
e	2.286BSC		
e1	4.572REF.		
L	2.650	2.800	2.950
L1	0.700	0.800	0.900
theta 1	7° REF.		
R	1.300REF.		
R1	0.250REF.		


Disclaimer:

The information provided in this document is believed to be accurate and reliable. however, Shenzhen Core Control Electronics Technology Co., Ltd. does not assume any responsibility for the following consequences. Do not consider the use of such information or use beyond its scope.

The information mentioned in this document may be changed at any time without notice.

The products and information provided in this document do not infringe patents. Shenzhen Core Control Electronics Technology Co., Ltd. assumes no responsibility for any infringement of any other rights of third parties. The result of using such products and information.

This document is the first version issued on June 20th, 2023. This document replaces all previously provided information.

 It is a registered trademark of Shenzhen Core Control Electronics Technology Co., Ltd.

Copyright © 2017 Shenzhen Core Control Electronics Technology Co., Ltd. all rights reserved.