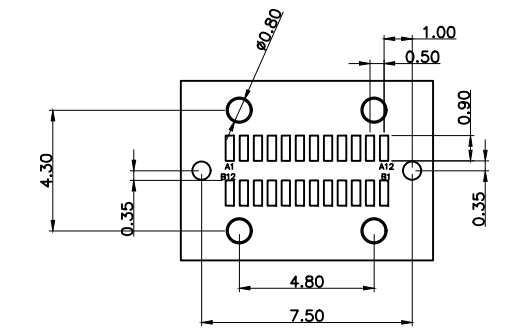
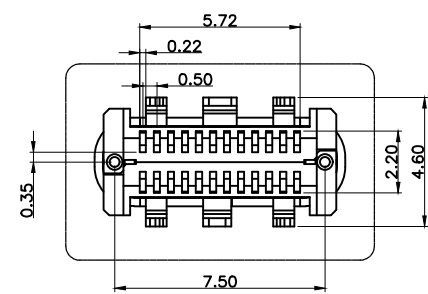
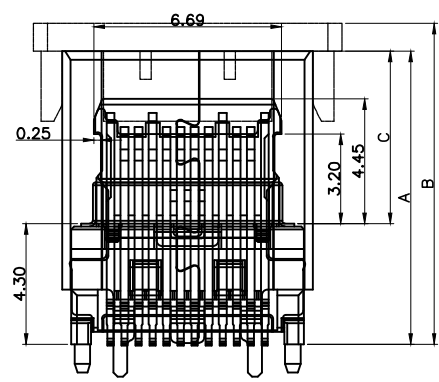
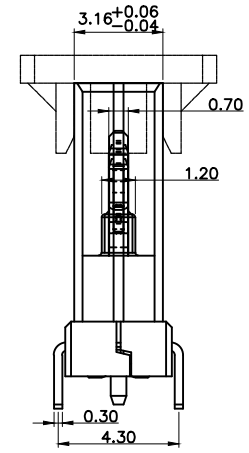
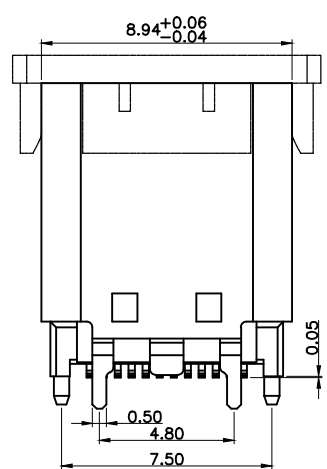


NOTES:  
SPECIFICATION:

- VOLTAGE: 100 VAC
- TEMPERATURE RANGE: -30 °C ~ 85 °C
- CONTACT RESISTANCE: 40 MILLIONHM MAX
- INSULATION RESISTANCE: 100 MEGOHMS MIN.
- INSERTION FORCE : 5N~20N
- UNMATING FORCE: 8N~20N
- DURABILITY: 10,000 CYCLES

DIM A	DIM B	DIM C
8.8	9.8	4.45
9.3	10.3	4.95
10.0	11.0	5.65
10.5	11.5	6.15

A1	GND	B12	GND
A2	SSTXP1	B11	SSRXP1
A3	SSTXN1	B10	SSRXN1
A4	VBUS	B9	VBUS
A5	CC1	B8	SBU2
A6	DP1	B7	DN2
A7	DN1	B6	DP2
A8	SBU1	B5	CC2
A9	VBUS	B4	VBUS
A10	SSRXN2	B3	SSTXN2
A11	SSRXP2	B2	SSTXP2
A12	GND	B1	GND
PIN	SIGNAL NAME	PIN	SIGNAL NAME

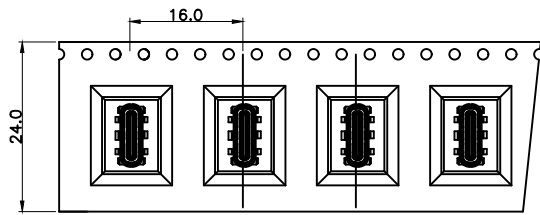


CONNECTOR FRONT EDGE  
RECOMMENDED P.C.B. LAYOUT (T:1.00mm)  
TOLERANCE UNSPECIFIED ±0.05mm

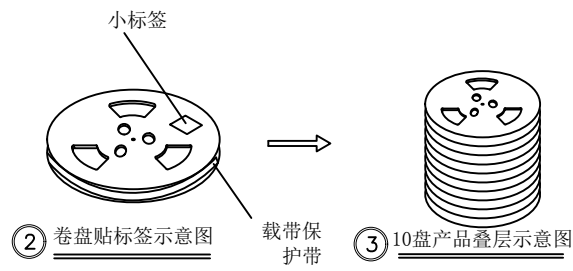
NO.	DESCRIPTION	MATERIAL	REMARKS	QTY
5	SHELL	STAINLESS STEEL	Ni Plated	1PCS
4	SPRING	STAINLESS STEEL	---	1PCS
3	SHIELDING PLATE	STAINLESS STEEL	---	1PCS
2	CONTACT	COPPER ALLOY	Au1u"/Ni Plated	1SET
1	HOUSING	HIGH TEMPERATURE PLASTIC	BLACK	1PCS

UNITS	SCALE	REV.	SHEET
mm	1:1	B3	1 OF 1
		DATE	2021.4.6
GENERAL TOLERANCE		DR.	OWEN
X	:±0.20	CHK.	
X.X	:±0.10	APPD.	
X.XX	:±0.05		
X	:±3°		
X.X	:±1°		

HJ-Tech 东莞市皇捷通讯科技有限公司		手机: 15015262131 手机: 13714786106	
TITLE			
TYPE C母 24P直立式SMT MD系列			
MAT'L		FINISH	
SEE TABLE		SEE TABLE	
DWG.NO.	A	PART NO.	SIZE
GUC-007A		SEE TABLE	A4

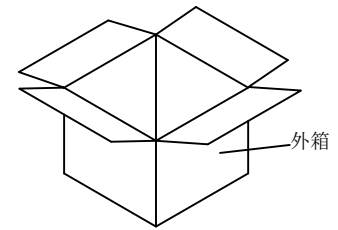


① 产品入载带示意图

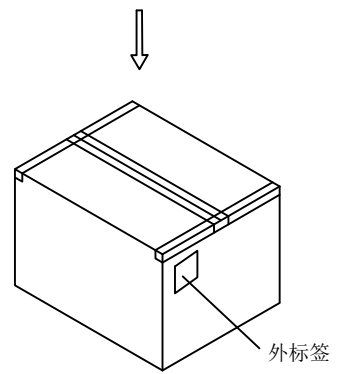


② 卷盘贴标签示意图

③ 10盘产品叠层示意图



④ 产品入外箱示意图



⑤ 外箱封箱示意图

NOTE:

- 1. QUANTITY/REEL: 450 PCS  
数量/卷: 450 PCS
- QUANTITY/INNER CARTON: 450 X 10 = 4500 PCS  
数量/箱: 450 X 10 = 4500 PCS
- 2. FREE 16 CAVE IN THE FRONT CARRIER AND FREE 16 CAVE IN THE END CARRIER.  
包装带内圈空16格, 外圈空16格.

1	成品		C TYPE母座成品	4500
2	CARRIER TAPE	PET	W=24mm T=0.50mm	7.7M
3	COVER TAPE	PET	W=13.3mm T=0.05mm	7.7M
4	小标签		L102mm*W59mm	10
5	卷盘	PS	∅380mm*H27.6mm	10
7	外标签		L102mm*W102mm	1
9	外箱	A=A	L395mm*W395mm*H300mm	1
ITEM	DESC.	MATERIAL	REMARKS	QTY

UNITS mm	SCALE 1:1	REV. B3	SHEET 1 OF 1	HJ-Tech 东莞市皇捷通讯科技有限公司 手机: 15015262131 手机: 13714786106	
		DATE 2021.4.6	TITLE TYPE C母 24P直立式SMT MD 包规		
GENERAL TOLERANCE X :±0.20 X.X :±0.10 X.XX :±0.05		DR. OWEN	MAT'L SEE TABLE		FINISH SEE TABLE
X :±3° X.X :±1°		CHK.	DWG.NO. GUC-007A	A	PART NO. SEE TABLE
		APPD.	SIZE A4		