

Recommended P/N 20455-0\*\*E-76 (30P/40P/50P) 20455-A20E-76 (20P)

PART NO.	Pos.	A	B	C	D
20455-020E-#2	20	9.50	11.30	16.25	14.47
20455-030E-##	30	14.50	16.30	21.25	19.47
20455-040E-##	40	19.50	21.30	26.25	24.47
20455-050E-##	50	24.50	26.30	31.25	29.47

P/N:20455-0 \*\* E-##

SEE TABLE.1

Pos.



Halogen Free



RoHS Compliant

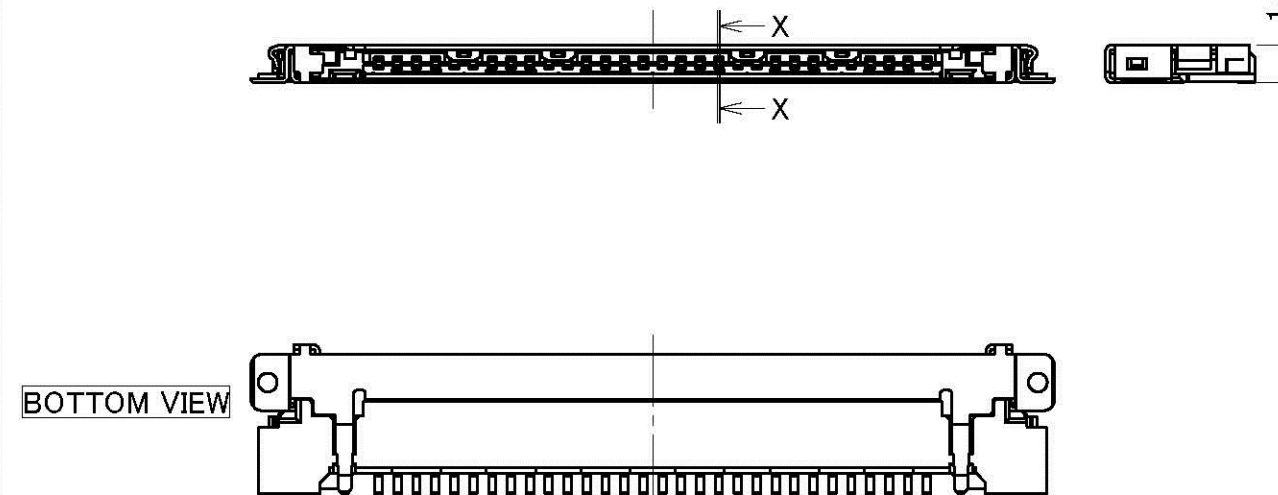
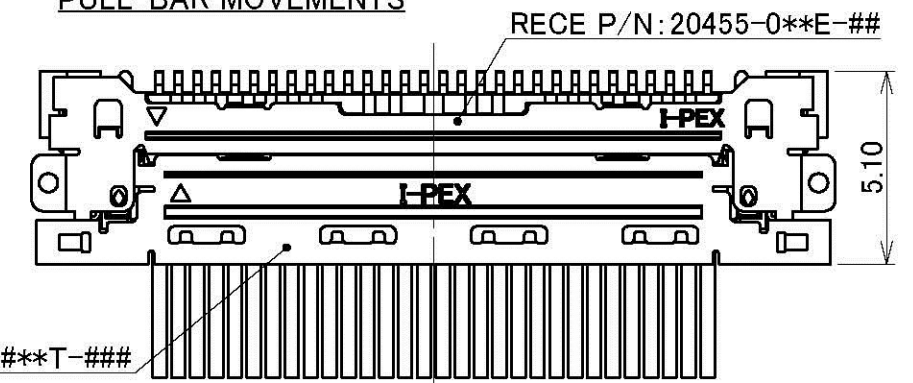
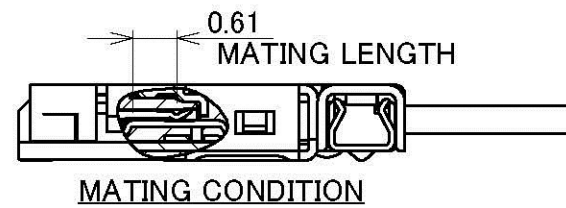
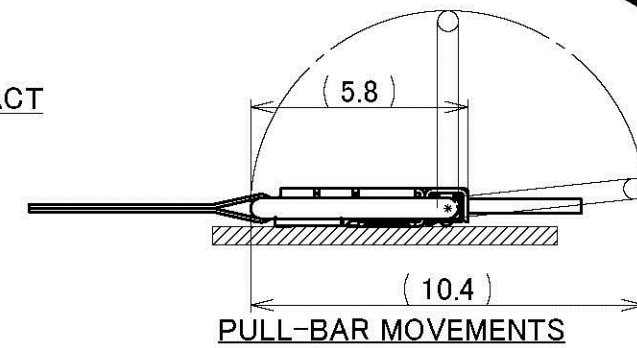
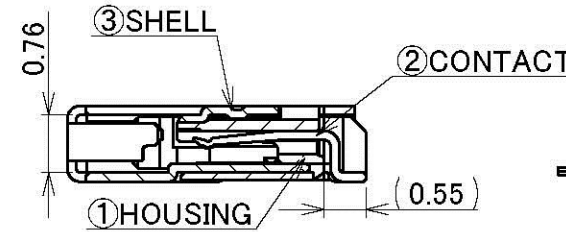
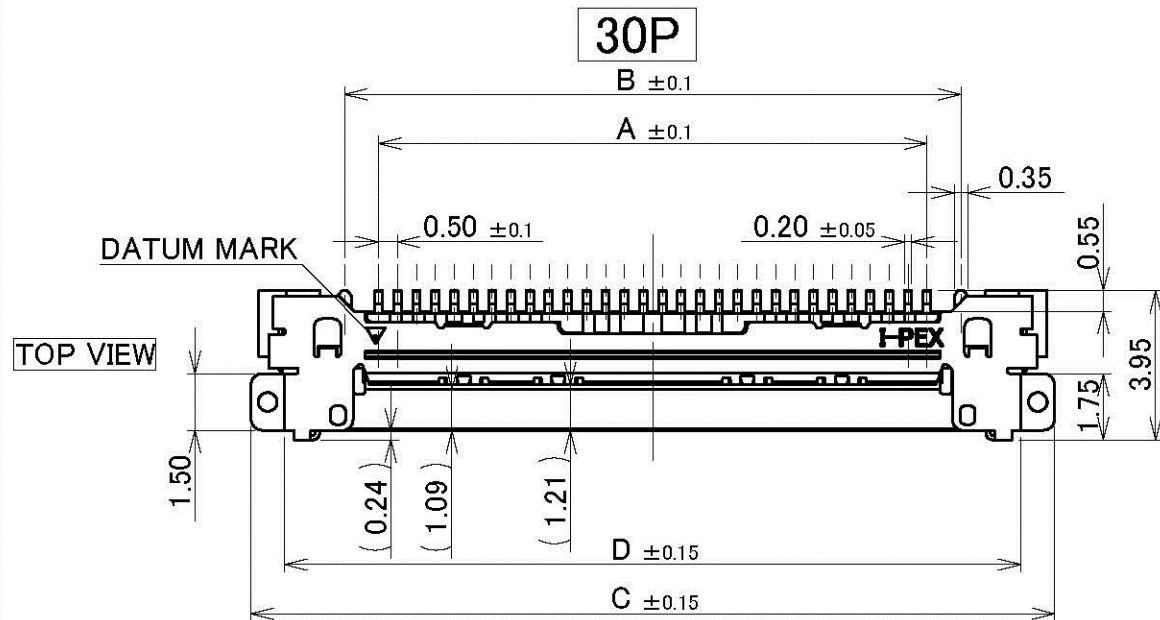
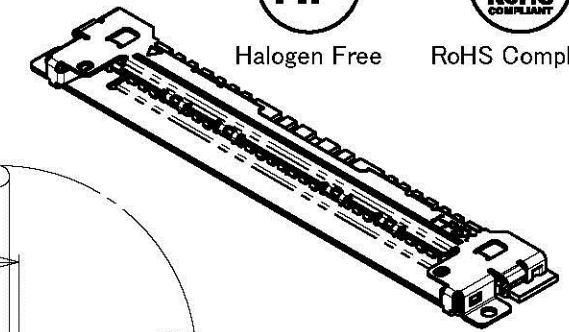


TABLE.1

PART NO.	DATUM MARK	CONTACT FINISH	SHELL FINISH
20455-0**E-02	WITH	CONTACT AREA Au 0.1 μm MIN. OVER Ni 1.00 μm MIN.	Au 0.02 μm MIN. OVER Ni 1.00 μm MIN.
20455-0**E-12	WITHOUT	SOLDERING AREA Au 0.05 μm MIN. OVER Ni 1.00 μm MIN.	
20455-0**E-66	WITH	CONTACT AREA Au 0.1 μm MIN. OVER Ni 1.00 μm MIN.	Au 0.01 μm MIN. OVER Ni 1.00 μm MIN.
20455-0**E-76	WITHOUT	SOLDERING AREA Au 0.05 μm MIN. OVER Ni 1.00 μm MIN.	

NO.	DISCRIPTION	MATERIAL	FINISH , REMARKS
3	SHELL	PHOSPHOR BRONZE	SEE ABOVE TABLE.1
2	CONTACT	PHOSPHOR BRONZE	SEE ABOVE TABLE.1
1	HOUSING	LCP	UL94V-0, BLACK

REV.	ECN	BY	DATE	APP.	APP.	ANGLE	±2°	6 OVER 30 MAX.	±0.3	PROJECTION	SERIES No.	CUSTOMER COPY
30	Z220450	T.M	Apr./21/'22	H.I		6 MAX.	±0.2	30 OVER 120 MAX.	±0.5	⊙	R7	
29	Z211259	R.M	Oct./18/'21	H.I		GENERAL TOLERANCE.				⊙		
28	Z201153	T.Ono	Nov./05/'20	H.I		DWG. H.Ikari		DATE 2007/09/27		TITLE CABLINE® -VS RECE ASS'Y		SCALE 5:1
27	Z190697	Y.Sasa	May/27/'19	H.I		CHK.						UNIT mm
26	Z181510	Y.M	Nov./19/'18	H.I		APP. E.Kawabe				DWG. No. 20455		mm
25	Z181146	Y.M	Aug./31/'18	H.I		REV. RECORD				SIZE A3		SHEET 1/6
										REVISION RECORD		REV. 30

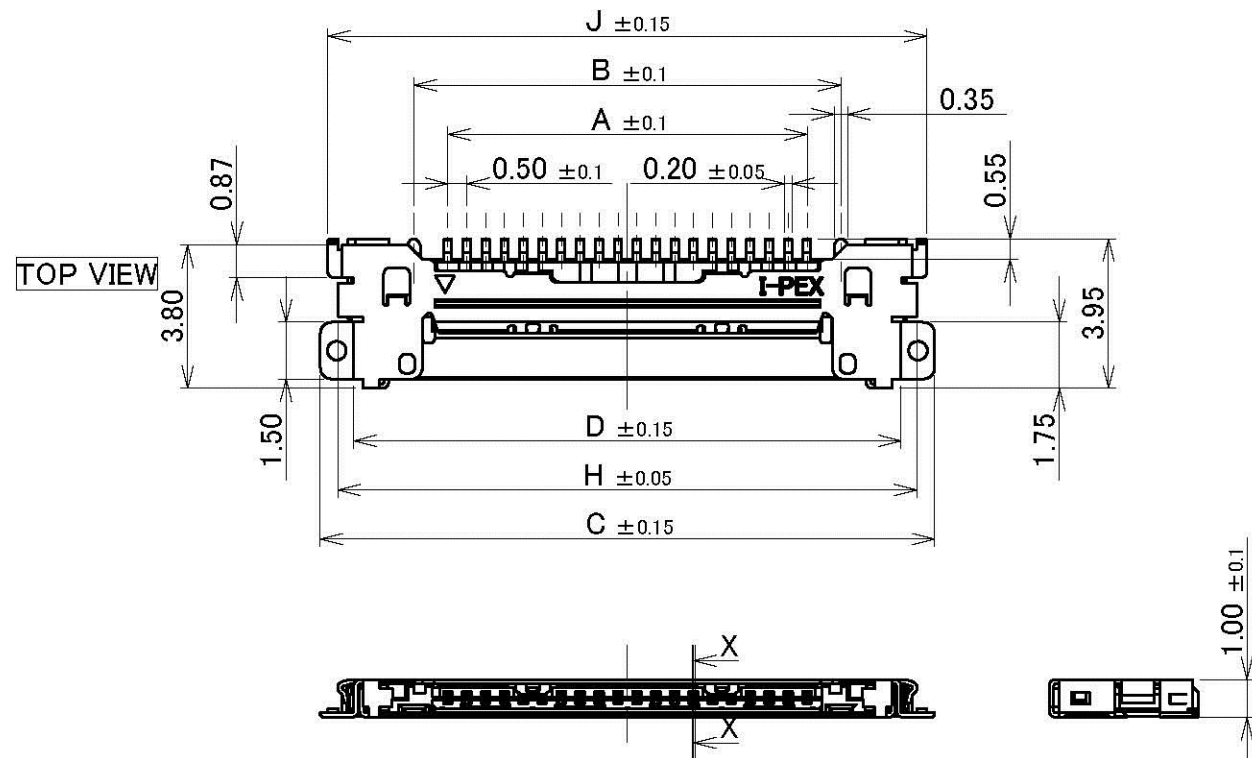




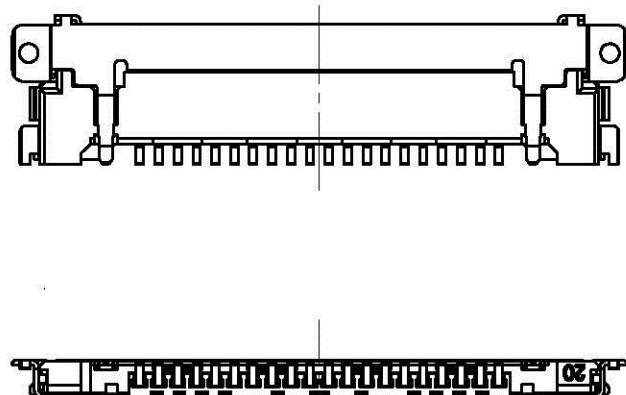
Recommended P/N 20455-0\*\*E-76(30P/40P/50P) 20455-A20E-76(20P)

PART NO.	Pos.	A	B	C	D	H	J
20455-A20E-##	20	9.50	11.30	16.25	14.47	15.32	15.84

# TYPE-A



# BOTTOM VIEW



P/N:20455-A20E-##  
A: TYPE-A  
SEE TABLE.2



Halogen Free RoHS Compliant

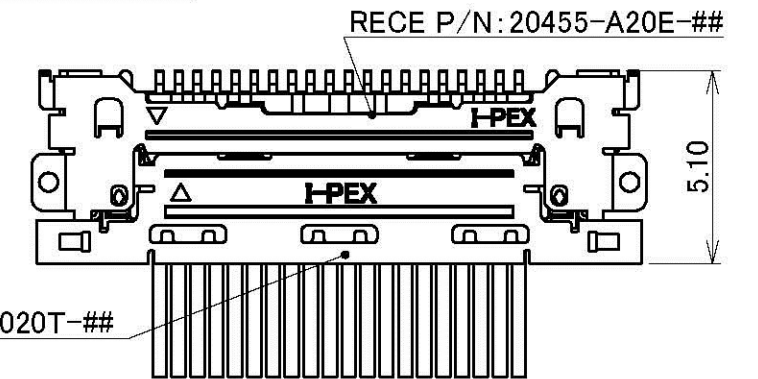
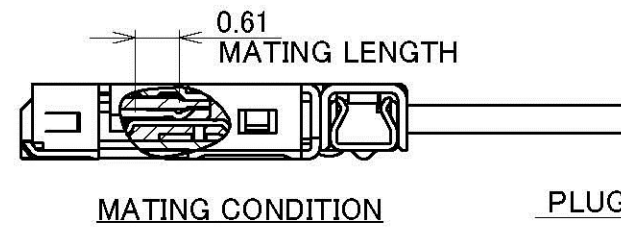
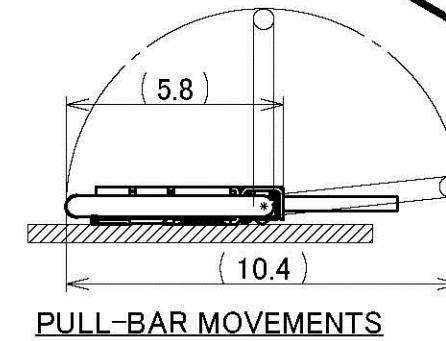
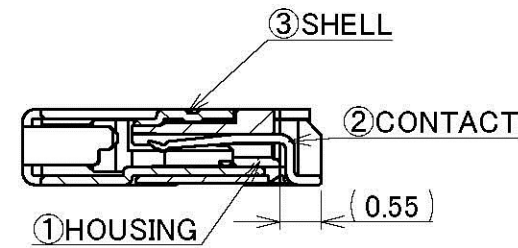
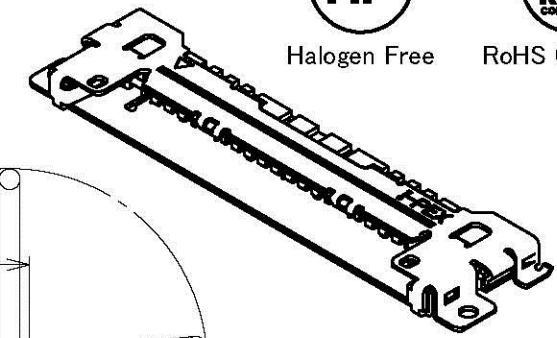


TABLE.2

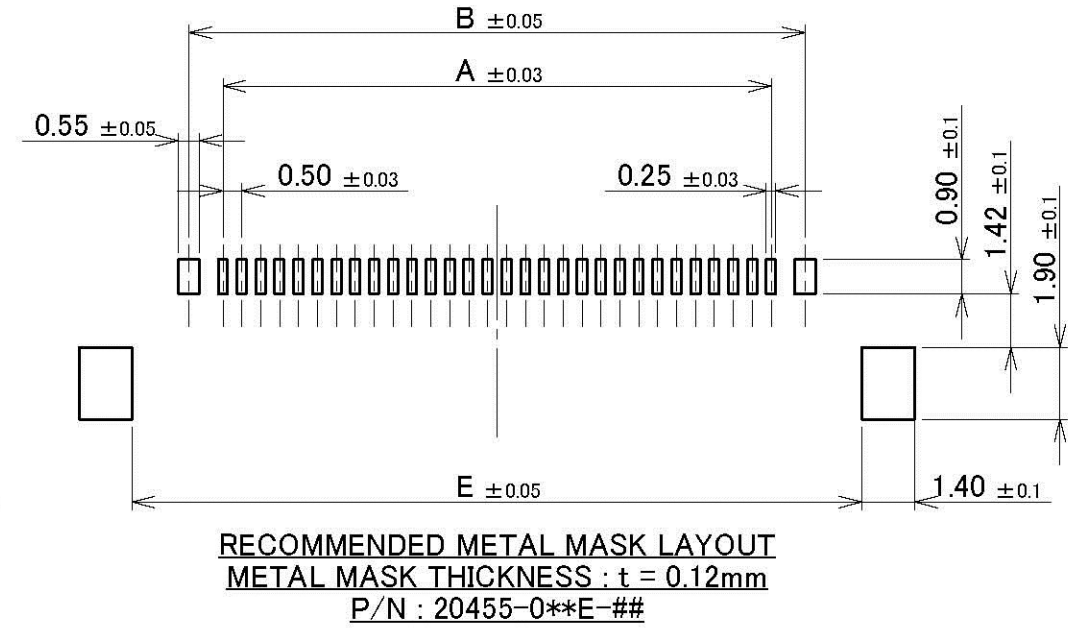
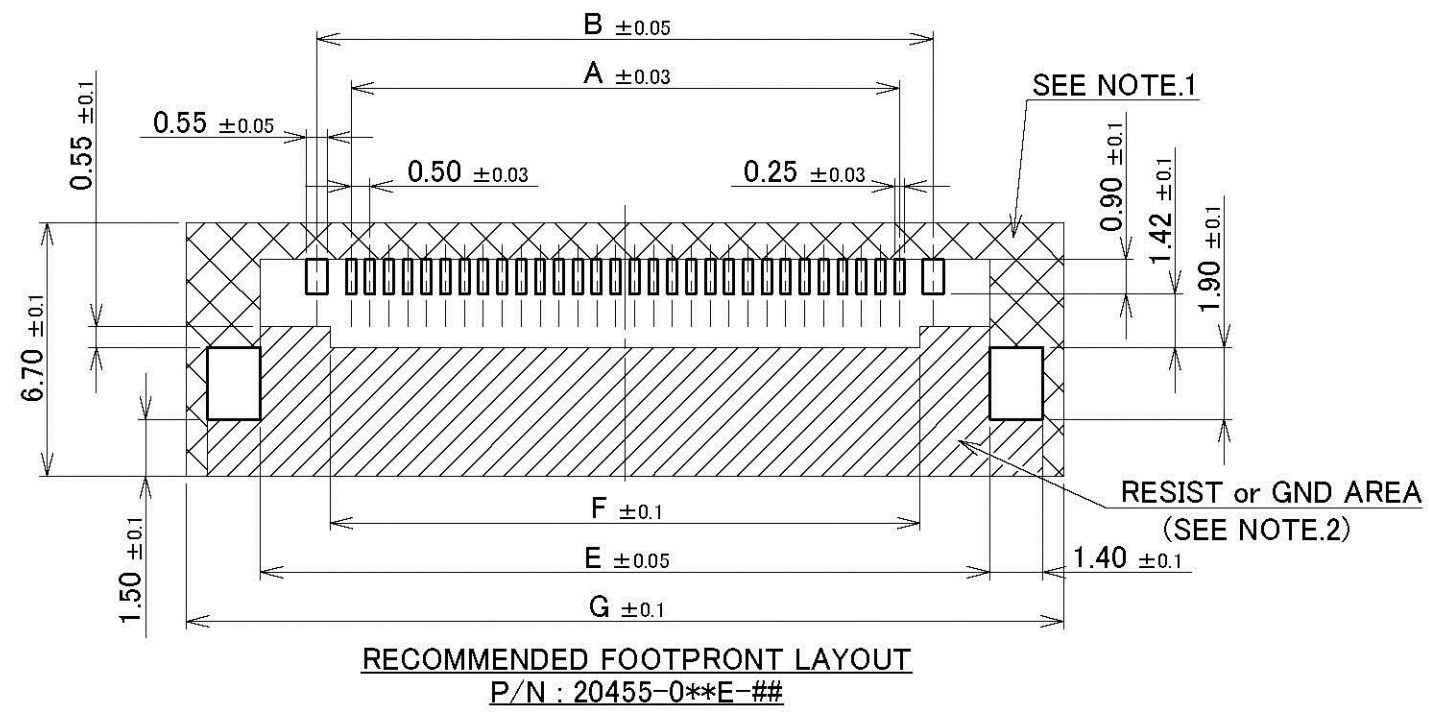
PART NO.	DATUM MARK	CONTACT FINISH	SHELL FINISH
20455-A20E-02	WITH	CONTACT AREA Au 0.1 μm MIN. OVER Ni 1.00 μm MIN. SOLDERING AREA Au 0.05 μm MIN. OVER Ni 1.00 μm MIN.	Au 0.02 μm MIN. OVER Ni 1.00 μm MIN.
20455-A20E-12	WITHOUT	CONTACT AREA Au 0.1 μm MIN. OVER Ni 1.00 μm MIN. SOLDERING AREA Au 0.05 μm MIN. OVER Ni 1.00 μm MIN.	Au 0.01 μm MIN. OVER Ni 1.00 μm MIN.
20455-A20E-66	WITH	CONTACT AREA Au 0.1 μm MIN. OVER Ni 1.00 μm MIN. SOLDERING AREA Au 0.05 μm MIN. OVER Ni 1.00 μm MIN.	Au 0.01 μm MIN. OVER Ni 1.00 μm MIN.
20455-A20E-76	WITHOUT	CONTACT AREA Au 0.1 μm MIN. OVER Ni 1.00 μm MIN. SOLDERING AREA Au 0.05 μm MIN. OVER Ni 1.00 μm MIN.	Au 0.01 μm MIN. OVER Ni 1.00 μm MIN.

NO.	DISCRIPTION	MATERIAL	FINISH , REMARKS
3	SHELL	PHOSPHOR BRONZE	SEE ABOVE TABLE.1
2	CONTACT	PHOSPHOR BRONZE	SEE ABOVE TABLE.1
1	HOUSING	LCP	UL94V-0, BLACK

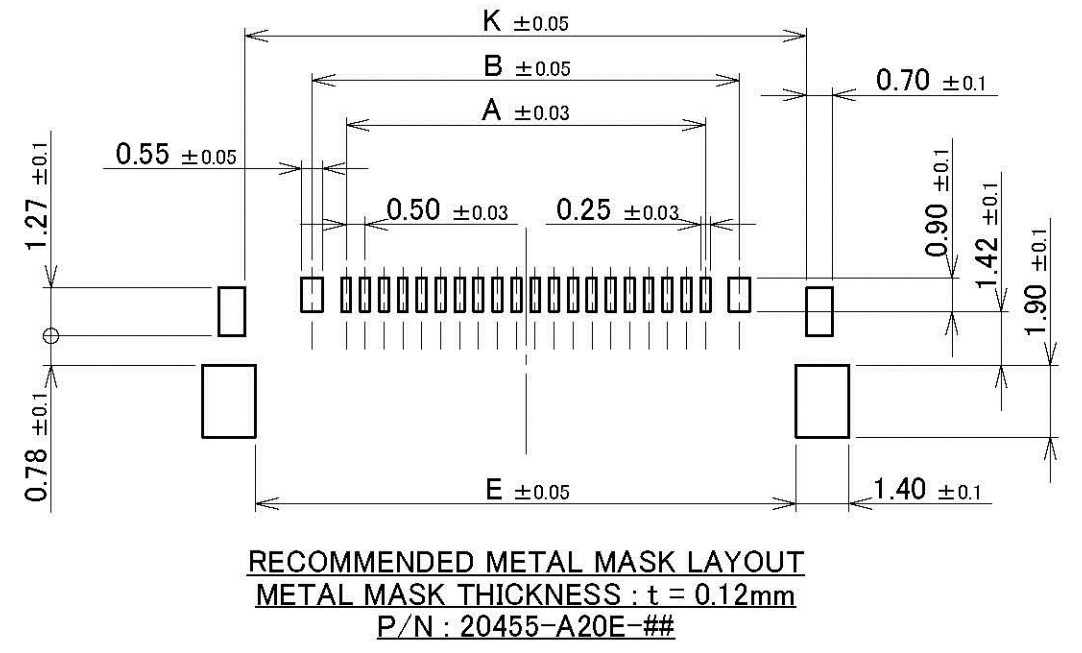
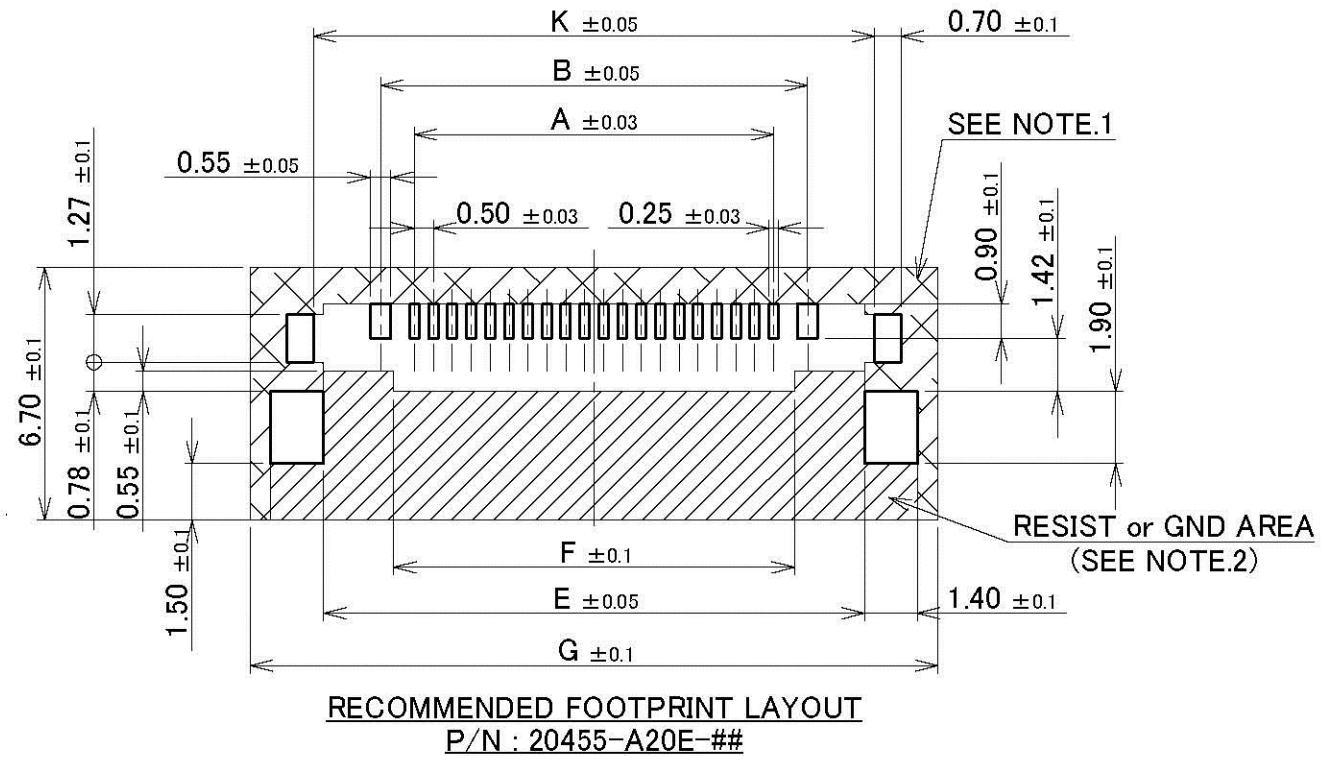
REVISION RECORD					ANGLE	±2°	6 OVER 30 MAX.	±0.3	PROJECTION ①	SERIES No. R7	CUSTOMER COPY		
						6 MAX.	±0.2	30 OVER 120 MAX.			±0.5	SCALE 5:1	
					GENERAL TOLERANCE.				TITLE CABLINER <sup>®</sup> -VS RECE ASS'Y				
					DWG.	DATE				UNIT mm			
					CHK.					SIZE A3	SHEET 2/6	REV. 30	
REV.	ECN	BY	DATE	APP.	APP.	DWG. No. 20455							




PART NO.	Pos.	A	B	E	F	G	H	J	K
20455-#20E-##	20	9.50	11.30	14.30	10.60	18.20	15.32	15.84	14.84
20455-030E-##	30	14.50	16.30	19.30	15.60	23.20	-	-	-
20455-040E-##	40	19.50	21.30	24.30	20.60	28.20	-	-	-
20455-050E-##	50	24.50	26.30	29.30	25.60	33.20	-	-	-



**TYPE-A**



- NOTES.
1. IN CASE OF PLUG WITH PULL-BAR, THIS AREA CANNOT MOUNT ANOTHER COMPONENTS.
  2. SOLDER RESIST SHALL BE APPLIED TO PREVENT SHORT CIRCUITS WHEN PLACING SIGNAL LINES ON GROUND AREA.

ANGLE	±2°	6 OVER 30 MAX.	±0.3	PROJECTION ①	SERIES No. R7	CUSTOMER COPY		
6 MAX.	±0.2	30 OVER 120 MAX.	±0.5					
GENERAL TOLERANCE.				TITLE CABLIN <sup>®</sup> -VS RECE ASS'Y	SCALE 5:1	 Lian Xin Technology		
DWG.	DATE							UNIT mm
CHK.								SIZE A3
APP.								SHEET 3/6
				DWG. No.	20455			