

Description

The UMW UMW FAN7382MX is a high voltage, high speed power MOSFET drivers with dependent high-and low-side referenced output channels. Proprietary HVIC and latch immune CMOS technologies enable ruggedized monolithic construction. The logic input is compatible with standard CMOS or LSTTL output, down to 3.3 V logic. The output drivers feature a high pulse current buffer stage designed for minimum driver cross-conduction. The floating channel can be used to drive an N-channel power MOSFET in the high-side configuration which operates up to 700 V.

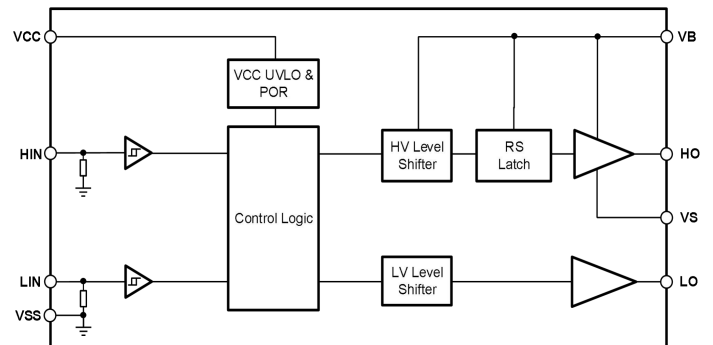
Application

- Motor Control
- Air Conditioners/ Washing Machines
- General Purpose Inverters
- Micro/Mini Inverter Drives

Features and Benefits

- Floating channel designed for bootstrap operation
- Fully operational to +700 V
- 3.3V, 5V and 15V input logic compatible
- Tolerant to negative transient voltage dV/dt immune
- Allowable negative Vs capability: -9V
- Gate drive supply range from 10V to 20V
- Matched propagation delay for both channels
- Wide operating temperature range -40°C ~125°C
- Typically output Source/Sink current capability: 300mA/600mA

Functional Block Diagram



Function Pin Description

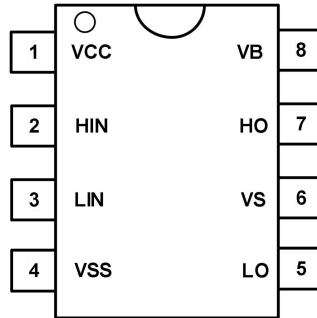


Figure7-1 8-Pin SOIC8 Top view

Table7-1 Lead Definitions

Number	Symbol	Description
1	V _{CC}	Low side and logic fixed supply
2	HIN	Logic input for high side gate driver output (HO), in phase
3	LIN	Logic input for low side gate driver output (LO), in phase
4	V _{SS}	Low side return
5	LO	Low side gate drive output
6	V _S	High side floating supply return
7	HO	High side gate drive output
8	V _B	High side floating supply

Absolute Maximum Ratings

Exceeding the limit maximum rating may cause permanent damage to the device. All voltage parameters are rated with reference to VSS and an ambient temperature of 25°C.

Symbol	Definition	MIN.	MAX.	Units
V _B	High side floating supply	-0.3	725	V
V _S	High side floating supply return	V _B - 25	V _B + 0.3	
V _{HO}	High side gate drive output	V _S -0.3	V _B + 0.3	
V _{CC}	Low side and main power supply	-0.3	25	
V _{LO}	Low side gate drive output	-0.3	V _{CC} + 0.3	
V _{IN}	Logic input of HIN & LIN	-0.3	V _{CC} + 0.3	
dV _S /dt	Allowable Offset Supply Voltage Transient	—	50	V/ns
ESD	HBM Model	1500	—	V
	Machine Model	500	—	V
P _D	Package Power Dissipation @ TA ≤25°C	—	625	mW
R _{thJA}	Thermal Resistance, Junction to Ambient	--	200	°C/W
T _J	Junction Temperature	—	150	°C
T _S	Storage Temperature	-55	150	
T _L	Lead Temperature (Soldering, 10 seconds)	—	300	

Recommended Operating Conditions

For proper operation, the device should be used under the following recommended conditions. The bias ratings of VS and VSS are measured at a supply voltage of 15V, and unless otherwise specified, the ratings of all voltage parameters are referenced to VSS and the ambient temperature is 25°C .

Symbol	Definition	MIN.	MAX.	Units
V _B	High side floating supply	V _S + 10	V _S + 20	V
V _S	High side floating supply return	-9	700	
V _{HO}	High side gate drive output	V _S	V _B	
V _{CC}	Low side and main power supply	6	20	
V _{LO}	Low side gate drive output	0	V _{CC}	
V _{IN}	Logic input of HIN & LIN	0	V _{CC}	
T _A	Ambient temperature	-40	125	°C

Note1: Transient negative VS can be used for VSS-50V with a pulse width of 50ns, guaranteed by design..

Note2: When the input pulse width is less than 1us, the input pulse cannot be transmitted normally .

Electrical Characteristics

 Valid for temperature range at $T_A = 25^\circ\text{C}$, $V_{CC} = V_B = 15\text{V}$, $C_L = 1\text{nF}$, unless otherwise specified

Symbol	Definition	MIN.	TYP.	MAX.	Units	Test Condition
t_{ON}	Turn-on propagation delay	—	130	200	ns	$V_S = 0\text{V}$
t_{OFF}	Turn-off propagation delay	—	130	200	ns	$V_S = 700\text{V}$
t_R	Turn-on rise time	—	75	130	ns	
t_F	Turn-off fall time	—	35	70	ns	
DT	Deadtime	—	—	50	ns	
V_{CCUV+}	VCC supply UVLO threshold	8	8.9	9.8	V	
V_{CCUV-}		7.4	8.2	9.0	V	
$V_{CCUVHYS}$	hysteresis of V_{CC} UVLO	—	0.7	—	V	
I_{LK}	High-side floating supply leakage current	—	—	50	μA	$V_B = V_S = 700\text{V}$
I_{QBS}	Quiescent V_B supply current	—	50	100	μA	$V_{IN} = 0\text{V}$ or 5V
I_{QCC}	Quiescent VCC supply current	—	120	240	μA	$V_{IN} = 0\text{V}$ or 5V
V_{IH}	Logic "1" (HIN&LIN) input voltage	2.5	—	—	V	$V_{CC} = 10\text{V}$ to 20V
V_{IL}	Logic "0" (HIN&LIN) input voltage	—	—	0.8	V	$V_{CC} = 10\text{V}$ to 20V
V_{OH}	High level output voltage, $V_{BIAS} - V_O$	—	—	0.1	V	$I_O = 0\text{A}$
V_{OL}	Low level output voltage, V_O	—	—	0.1	V	$I_O = 0\text{A}$
I_{IN+}	Logic "1" Input bias current	—	5	10	μA	$HIN = 5\text{V}$, $LIN = 5\text{V}$
I_{IN-}	Logic "0" Input bias current	—	—	2	μA	$HIN = 0\text{V}$, $LIN = 0\text{V}$
I_{O+}	Output high short circuit pulsed current	200	300	—	mA	$V_O = 0\text{V}$ $PW \leq 10\mu\text{s}$
I_{O-}	Output low short circuit pulsed current	400	600	—	mA	$V_O = 15\text{V}$ $PW \leq 10\mu\text{s}$

Function Description

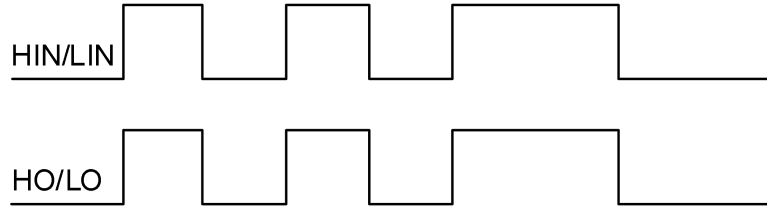


Figure 9-1 FAN7382MX Input and output timing waveform

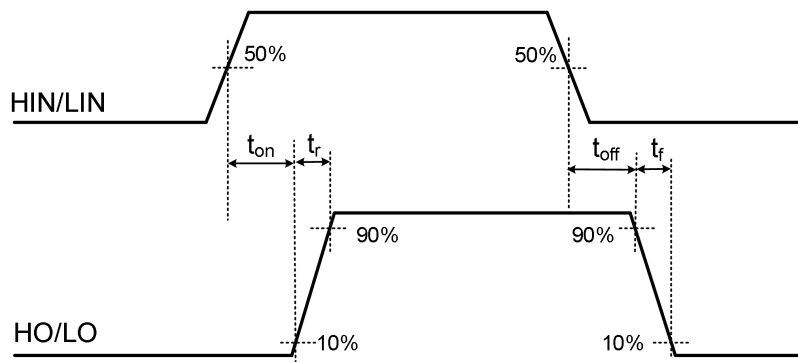


Figure 9-2 Propagation Time Waveform Definition

Function Block Diagram

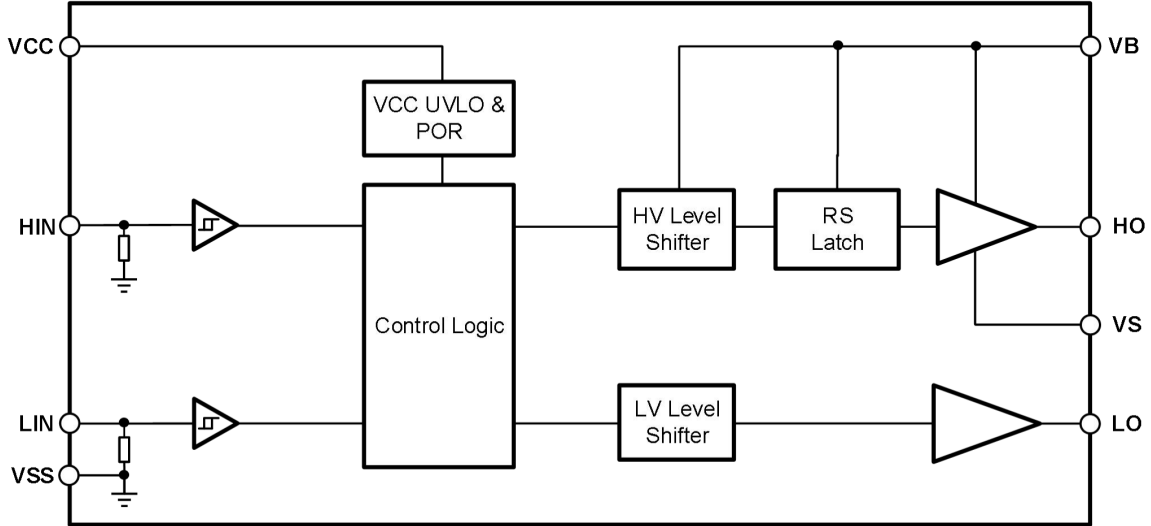


Figure10-1 Function Block Diagram of FAN7382MX

Application message

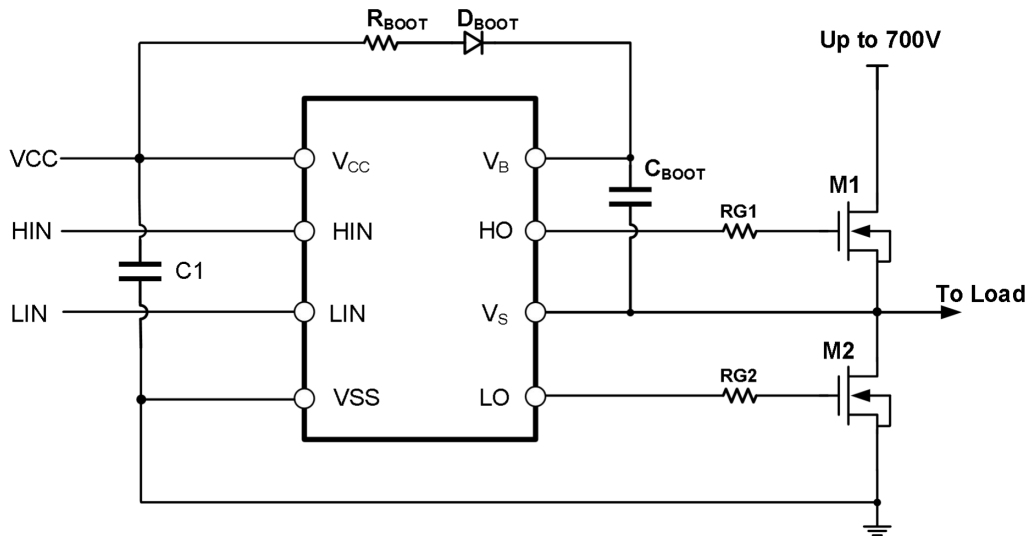
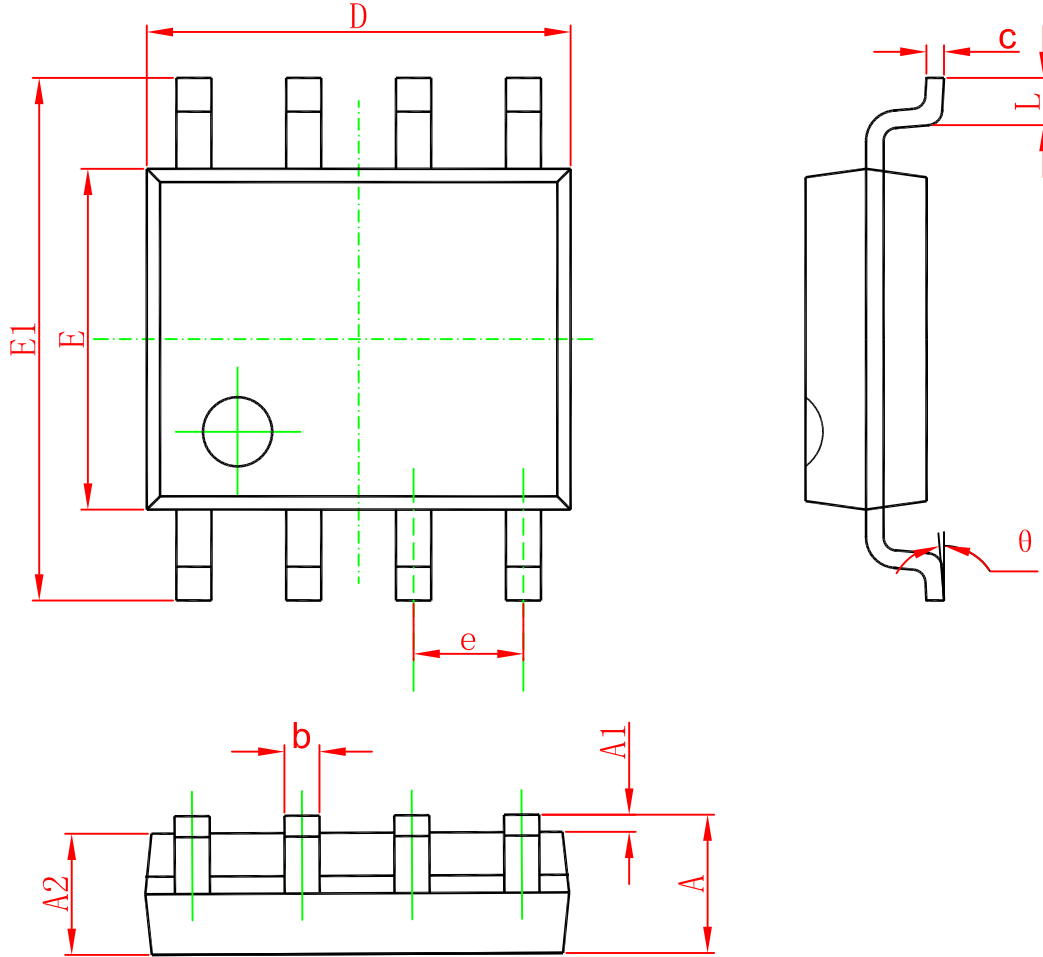


Figure10-2 Typical application circuit of FAN7382MX

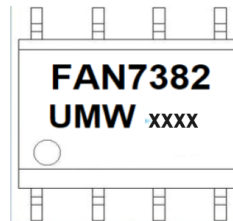
PACKAGING INFORMATION

SOP-8



Symbol	Dimensions In Millimeters		Dimensions In Inches	
	Min	Max	Min	Max
A	1.350	1.750	0.053	0.069
A1	0.100	0.250	0.004	0.010
A2	1.350	1.550	0.053	0.061
b	0.330	0.510	0.013	0.020
c	0.170	0.250	0.006	0.010
D	4.700	5.100	0.185	0.200
E	3.800	4.000	0.150	0.157
E1	5.800	6.200	0.228	0.244
e	1.270(BSC)		0.050(BSC)	
L	0.400	1.270	0.016	0.050
θ	0°	8°	0°	8°

Marking



Ordering information

Order code	Package	Baseqty	Deliverymode
UMW FAN7382MX	SOP-8	2500	Tape and reel