



# FPF1013 / FPF1014 IntelliMAX™ 1 V-Rated Advanced Load Management Products

## Features

- 0.8 V to 1.8 V Input Voltage Range
- Typical  $R_{DS(ON)} = 17\text{ m}\Omega$  at  $V_{ON} - V_{IN} = 2.0\text{ V}$
- Output Discharge Function
- Internal Pull-Down at ON Pin
- Accurate Slew Rate Controlled Turn-on Time
- Low  $< 1\text{ }\mu\text{A}$  Quiescent Current
- ESD Protected, above 8 kV HBM, 2 kV CDM

## Applications

- PDAs
- Cell Phones
- GPS Devices
- MP3 Players
- Digital Cameras
- Notebook Computers

## Description

The FPF1013/14 IntelliMAX™ advanced slew rate load switch offers very low operating voltage and a 17 mΩ N-channel MOSFET that supports an input voltage up to 2.0 V. This slew-rate device control the switch turn-on and prevent excessive inrush current from supply rails. The input voltage range operates from 0.8 V to 1.8 V to fulfill today's lowest mobile device supply requirements. Switch control is via a logic input (ON) capable of interfacing directly with low-voltage control signals.

The FPF1014 has an on-chip pull-down, allowing for quick and controlled output discharge when the switch is turned off. The FPF1013/14 is available in a space-saving six-lead 1 mm x 1.5 mm Wafer-Level Chip-Scale Package (WLCSP).



Figure 1. WLCSP Bump Configuration (Top & Bottom)

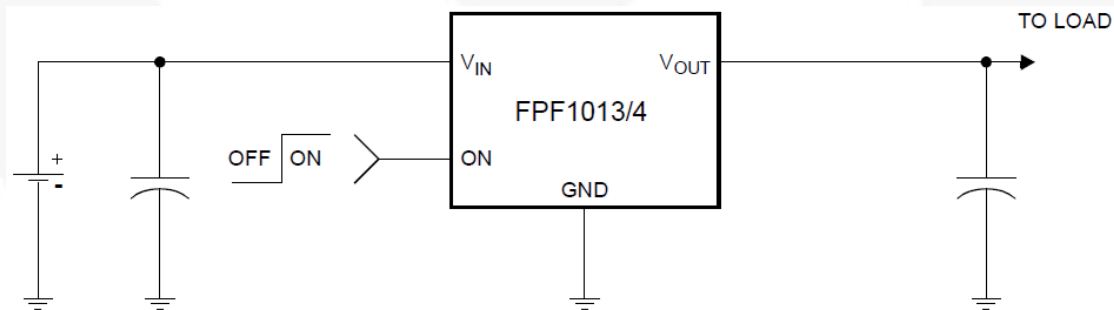


Figure 2. Typical Application

## Ordering Information

Part Number	Switch	Turn-On Time	Output Discharge	ON Pin Activity	Package
FPF1013	17 mΩ, NMOS	43 μs	N/A	Active HIGH	WLCSP 950 μm x 1450 μm, (see Figure 24)
FPF1014	17 mΩ, NMOS	43 μs	60 Ω	Active HIGH	

### Functional Block Diagram

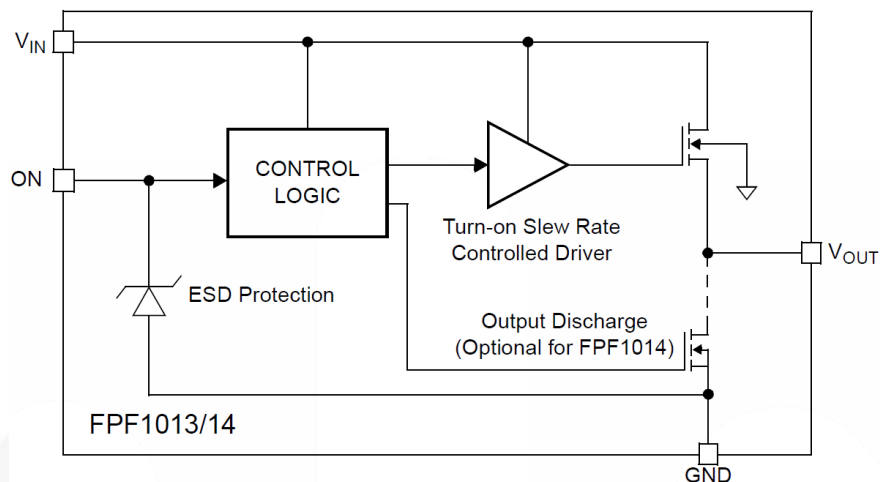


Figure 3. Functional Block Diagram

### Pin Configuration

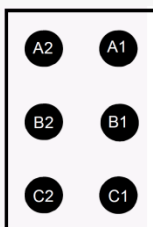


Figure 4. Pin Configuration

### Pin Definitions

Pin	Name	Description
A2, B2	$V_{IN}$	Supply Input: Input to the power switch and the supply voltage for the IC
C2	ON	ON Control Input
A1, B1	$V_{OUT}$	Switch Output: Output of the power switch
C1	GND	Ground

## Absolute Maximum Ratings

Stresses exceeding the absolute maximum ratings may damage the device. The device may not function or be operable above the recommended operating conditions and stressing the parts to these levels is not recommended. In addition, extended exposure to stresses above the recommended operating conditions may affect device reliability. The absolute maximum ratings are stress ratings only.

Symbol	Parameter	Min.	Max.	Units
	$V_{IN}$ , $V_{OUT}$ , to GND	-0.3	2.0	V
	$V_{ON}$ to GND	-0.3	4.2	V
$I_{SW}$	Maximum Continuous Switch Current		1.5	A
$P_D$	Power Dissipation at $T_A = 25^\circ\text{C}^{(1)}$		1.2	W
$T_A$	Operating Temperature Range	-40	+85	$^\circ\text{C}$
$T_{STG}$	Storage Temperature	-65	+150	$^\circ\text{C}$
$\Theta_{JA}$	Thermal Resistance, Junction to Ambient		85	$^\circ\text{C/W}$
ESD	Electrostatic Discharge Protection	Human Body Model	8000	V
		Charged Device Model	2000	V

**Note:**

1. Package power dissipation on one-square-inch pad, two-ounce copper board.

## Recommended Operating Conditions

The Recommended Operating Conditions table defines the conditions for actual device operation. Recommended operating conditions are specified to ensure optimal performance to the datasheet specifications. Fairchild does not recommend exceeding them or designing to Absolute Maximum Ratings.

Symbol	Parameter	Min.	Max.	Units
$V_{IN}$	Supply Voltage	0.8	1.8	V
$T_A$	Ambient Operating Temperature	-40	+85	$^\circ\text{C}$

## Electrical Characteristics

$V_{IN} = 0.8$  to  $1.8V$ ,  $T_A = -40$  to  $+85^\circ C$  unless otherwise noted. Typical values are at  $V_{IN} = 1.8V$  and  $T_A = 25^\circ C$ .

Symbol	Parameter	Condition	Min.	Typ.	Max.	Units
<b>Basic Operation</b>						
$V_{IN}$	Operating Voltage		0.8		1.8	V
$V_{ON(MIN)}$	ON Input Voltage	$V_{IN} = 0.8 V$	1.8	2.8	4.0	V
$V_{ON(MAX)}$		$V_{IN} = 1.8 V^{(2)}$	2.8	3.8	4.0	V
$I_{CC}$	Operating Current	$V_{IN} = 1 V, V_{ON} = 3.3 V, V_{OUT} = \text{Open}$			1	$\mu A$
$I_Q$	Quiescent Current	$V_{IN} = 1 V, V_{ON} = \text{GND}, V_{OUT} = \text{Open}$			2	$\mu A$
$I_{SWOFF}$	Off Switch Current	$V_{IN} = 1.8 V, V_{ON} = \text{GND}, V_{OUT} = \text{GND}$			2	$\mu A$
$R_{ON}$	On-Resistance	$V_{IN} = 1 V, V_{ON} = 3 V, I_{OUT} = 1 A, T_A = 25^\circ C$		17	27	m $\Omega$
		$V_{IN} = 1 V, V_{ON} = 2.3 V, I_{OUT} = 1 A, T_A = 25^\circ C$		25	38	
$R_{PD}$	Output Pull-Down Resistance	$V_{IN} = 1 V, V_{ON} = 0 V, I_{OUT} = 1 mA, T_A = 25^\circ C, \text{FPF1014}$		60	120	$\Omega$
$V_{IL}$	ON Input Logic Low Voltage	$V_{IN} = 0.8 V, R_L = 1 K\Omega$			0.3	V
		$V_{IN} = 1.8 V, R_L = 1 K\Omega$			0.8	
$I_{ON}$	On Input Leakage	$V_{ON} = V_{IN} \text{ or } \text{GND}$			1	$\mu A$
<b>Dynamic</b> ( $V_{IN} = 1.0 V, V_{ON} = 3.0 V, T_A = 25^\circ C$ )						
$t_R$	$V_{OUT}$ Rise Time	$R_L = 500 \Omega, C_L = 0.1 \mu F$		28		$\mu s$
		$R_L = 3.3 \Omega, C_L = 10 \mu F$		38		
$t_{ON}$	Turn-On Time	$R_L = 500 \Omega, C_L = 0.1 \mu F$		43		$\mu s$
		$R_L = 3.3 \Omega, C_L = 10 \mu F$		58		
$t_F$	$V_{OUT}$ Fall Time	FPF1014, $R_L = 500 \Omega, C_L = 0.1 \mu F$		14		$\mu s$
		FPF1014, $R_L = 3.3 \Omega, C_L = 10 \mu F$		76		
$t_{OFF}$	Turn-Off Time	FPF1014, $R_L = 500 \Omega, C_L = 0.1 \mu F$		50		$\mu s$
		FPF1014, $R_L = 3.3 \Omega, C_L = 10 \mu F$		96		

**Note:**

- $V_{ON(MAX)}$  is limited by the Absolute Maximum Rating.

### Typical Performance Characteristics

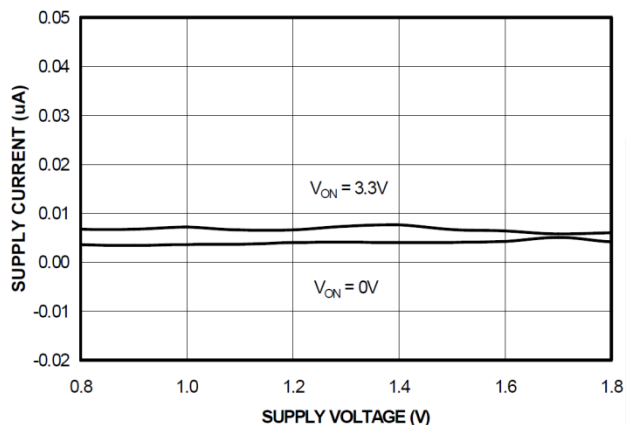


Figure 5. Supply Current vs.  $V_{IN}$

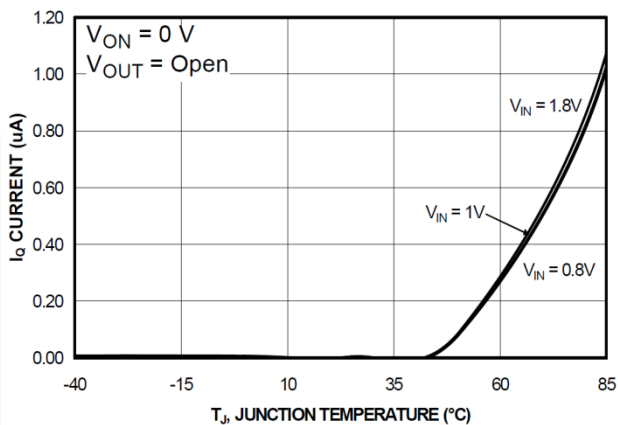


Figure 6. Off Quiescent Current vs. Temperature

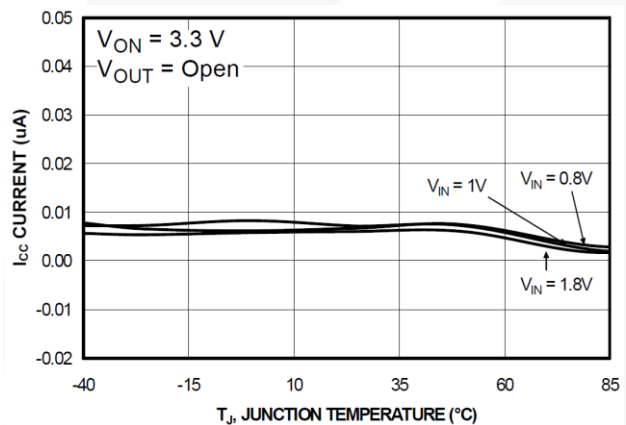


Figure 7. Operating Current vs. Temperature

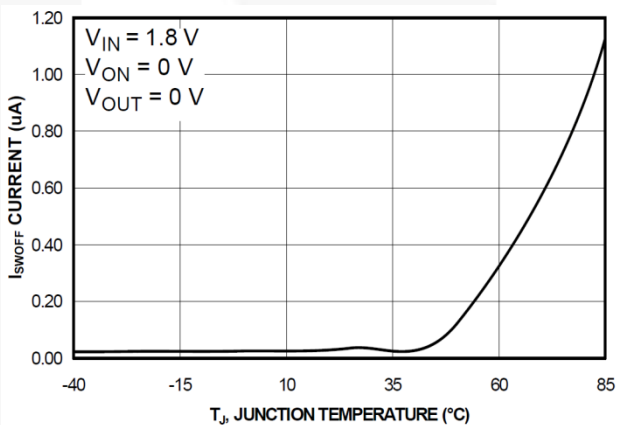


Figure 8. Off Switch Current vs. Temperature

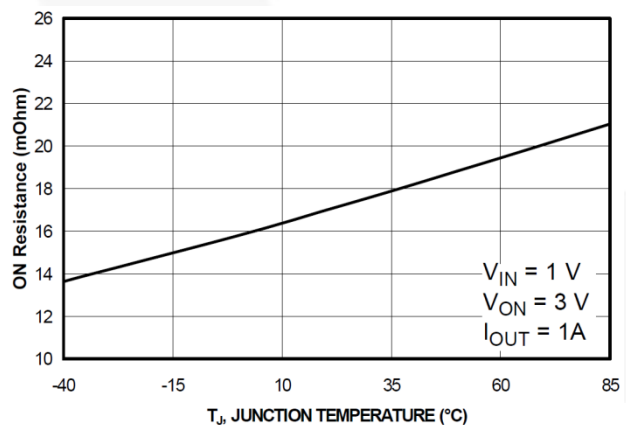


Figure 9.  $R_{ON}$  vs. Temperature

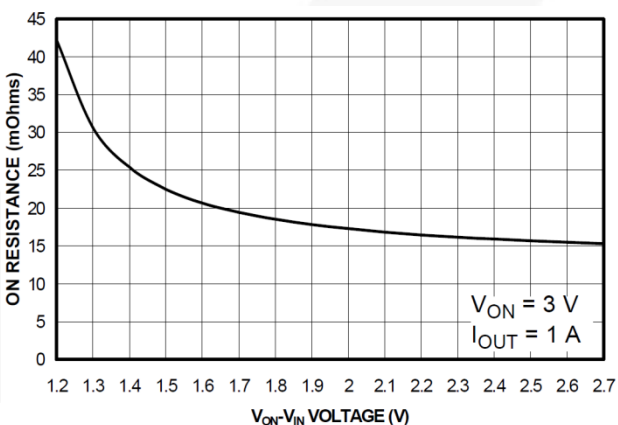


Figure 10.  $R_{ON}$  vs.  $V_{ON}-V_{IN}$

## Typical Performance Characteristics

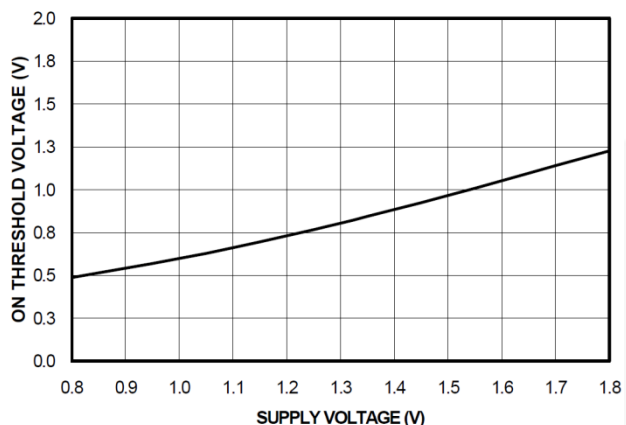


Figure 11.  $V_{IL}$  vs.  $V_{IN}$

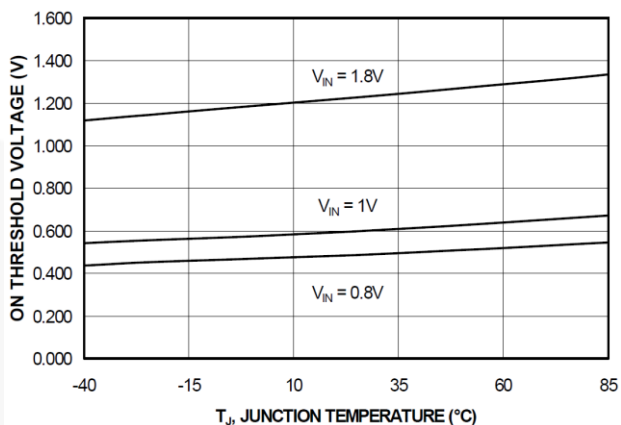


Figure 12.  $V_{IL}$  vs. Temperature

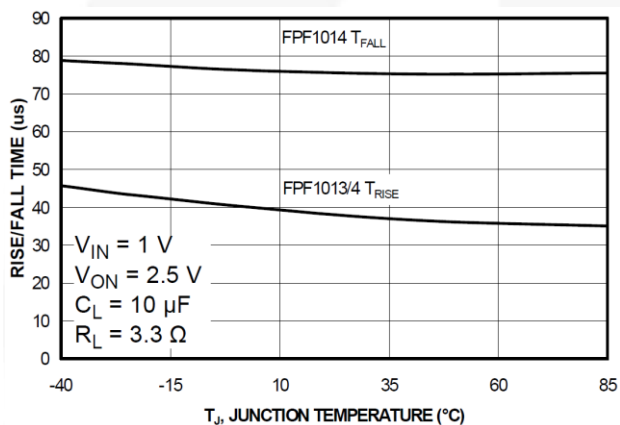


Figure 13.  $t_{RISE}$  /  $t_{FALL}$  vs. Temperature

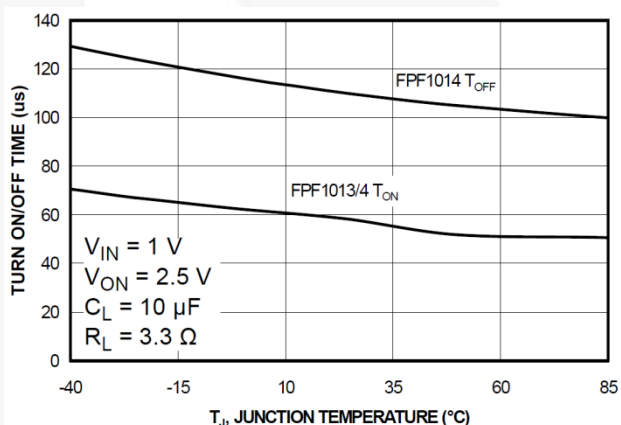


Figure 14.  $t_{ON}$  /  $t_{OFF}$  vs. Temperature

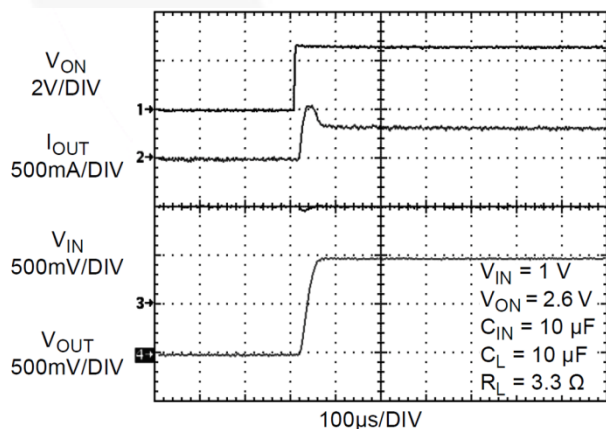


Figure 15. Turn-On Response

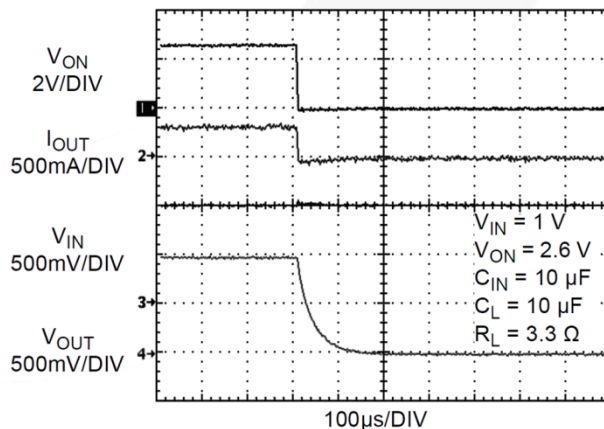


Figure 16. FPF1014 Turn-Off Response

### Typical Performance Characteristics

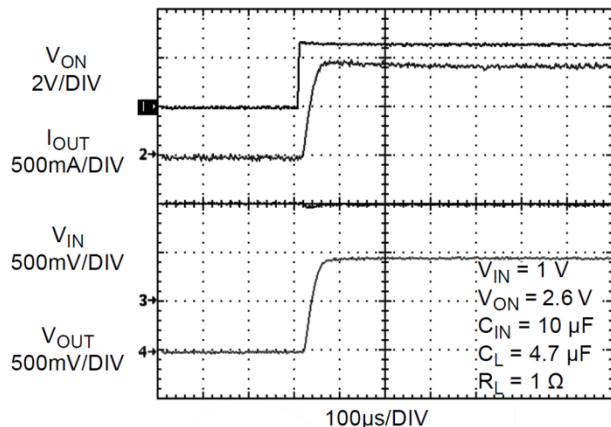


Figure 17. Turn On Response

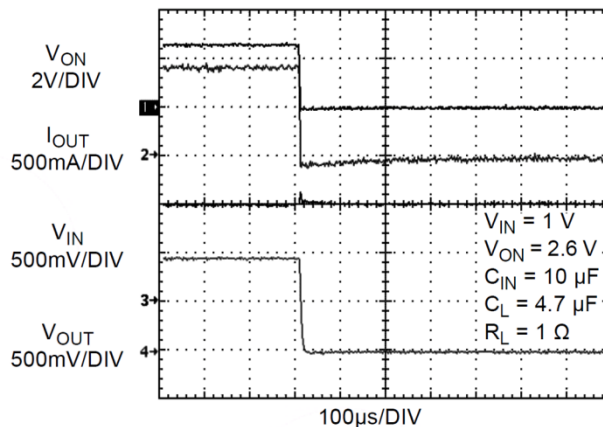


Figure 18. FPF1014 Turn-Off Response

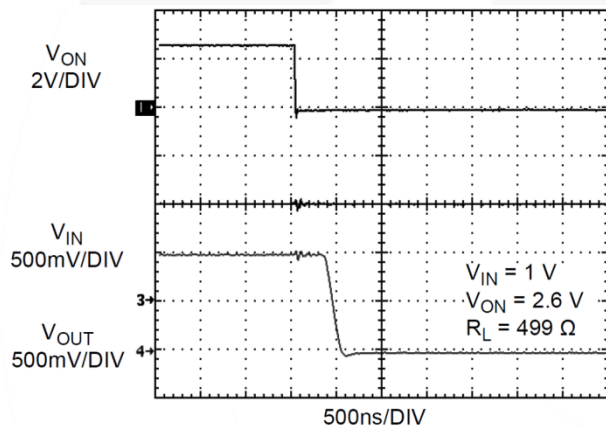


Figure 19. FPF1014 Output Pull-Down Response

## Operational Description

The FPF1013/4 are low- $R_{DS(ON)}$  N-channel load switches with controlled turn-on. The core of each device is a 17 m $\Omega$  ( $V_{IN} = 1$  V,  $V_{ON} = 3$  V) N-channel MOSFET and is customized for a low-input operating range of 0.8 V to 1.8 V. The ON pin controls the state of the switch.

The FPF1014 contains a 60  $\Omega$  (typical) on-chip resistor, which is connected internally from  $V_{OUT}$  to GND for quick output discharge when the switch is turned off.

## On / Off Control

The ON pin is active HIGH and controls the state of the switch. Applying a continuous HIGH signal holds the switch in the ON state. To minimize the switch on resistance, the ON pin voltage should exceed the input voltage by 2 V. This device is compatible with a GPIO (General-Purpose Input / Output) port, where the logic voltage level can be configured to  $4$  V  $\geq$   $V_{ON} \geq V_{IN} + 2$  V and power consumed is less than 1  $\mu$ A in steady state.

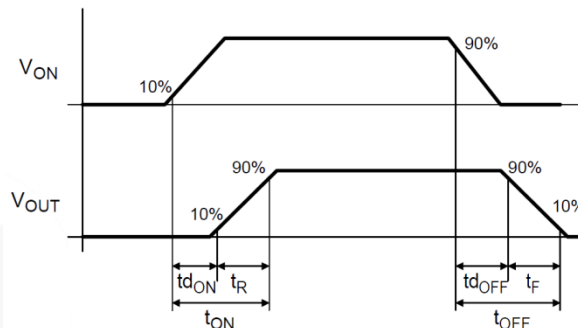


Figure 20. Timing Diagram

where:

$t_{dON}$	=	Delay On Time
$t_r$	=	$V_{OUT}$ Rise Time
$t_{ON}$	=	Turn-On Time
$t_{dOFF}$	=	Delay Off Time
$t_f$	=	$V_{OUT}$ Fall Time
$t_{OFF}$	=	Turn-Off Time

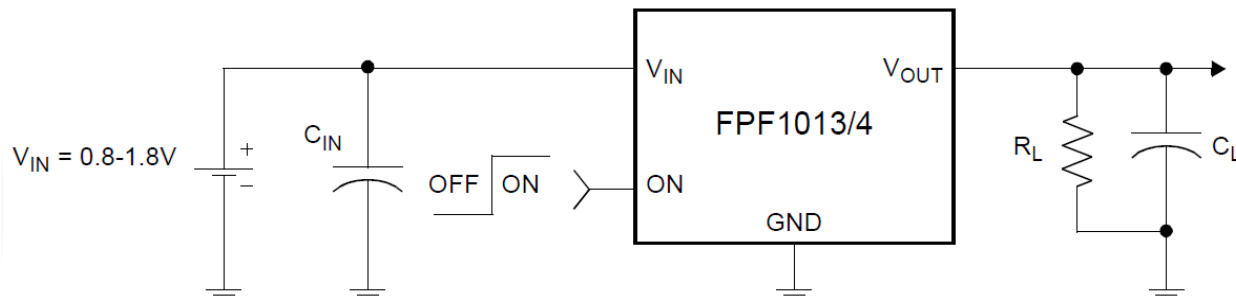


Figure 21. Typical Application



## Application Information

### Input Capacitor

To limit the voltage drop on the input supply caused by transient in-rush currents when the switch turns-on, a capacitor must be placed between VIN and GND. For minimized voltage drop, especially when the operating voltage approaches 1 V a 10  $\mu\text{F}$  ceramic capacitor should be placed close to the VIN pins. Higher values of  $C_{\text{IN}}$  can be used to further reduce the voltage drop during higher current modes of operation.

### Output Capacitor

A 0.1  $\mu\text{F}$  capacitor,  $C_L$ , should be placed between VOUT and GND. This capacitor prevents parasitic board inductance from forcing  $V_{\text{OUT}}$  below GND when the switch turns off. If the application has a capacitive load, the FPF1014 can be used to discharge that load through an on-chip output discharge path.

### Board Layout

For best performance, all traces should be as short as possible. To be most effective, the input and output capacitors should be placed close to the device to minimize the effects that parasitic trace inductances may have on normal and short-circuit operation. Using wide traces or large copper planes for all pins (VIN, VOUT, ON, and GND) helps minimize the parasitic electrical effects along with minimizing the case-to-ambient thermal impedance.

### Improving Thermal Performance

Improper layout can result in higher junction temperature. This applies when continuous operation current is set to maximum allowed current and switch turns into a large capacitive load that introduces high inrush current in the transient. Since FPF1013/14 does not have thermal shutdown feature, proper layout can essentially reduce power dissipation of the switch in transient and prevents the switch exceeding the maximum absolute power dissipation of 1.2 W.

The VIN, VOUT, and GND pins dissipate most of the heat generated during a high load current condition. The layout suggested in Figure 22 provides each pin with adequate copper so that heat may be transferred as efficiently as possible out of the device. The ON pin trace may be laid out diagonally from the device to maximize the area available to the ground pad. Placing the input and output capacitors as close to the device as possible also contributes to heat dissipation, particularly during high load currents.

The table below pertains to the Packaging information on the following page.

### Product Dimensions

E	D	X	Y
950 $\mu\text{m} \pm 30 \mu\text{m}$	1450 $\mu\text{m} \pm 30 \mu\text{m}$	225 $\mu\text{m}$	225 $\mu\text{m}$

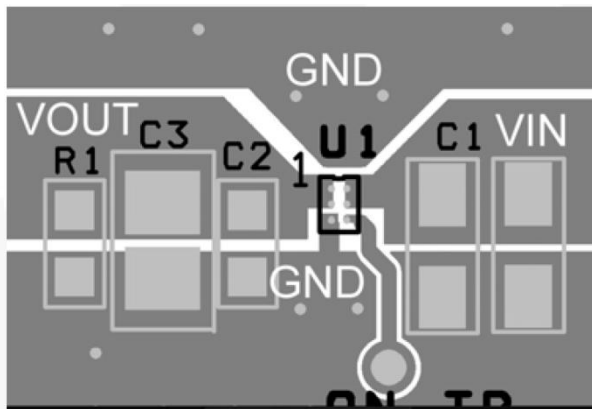


Figure 22. Proper Layout of Output, Input, and Ground Copper Area

### Demonstration Board Layout

FPF1013/4 demonstration board has the components and circuitry to demonstrate the load switches functions. Thermal performance is improved using techniques recommended in the layout recommendations section of datasheet.

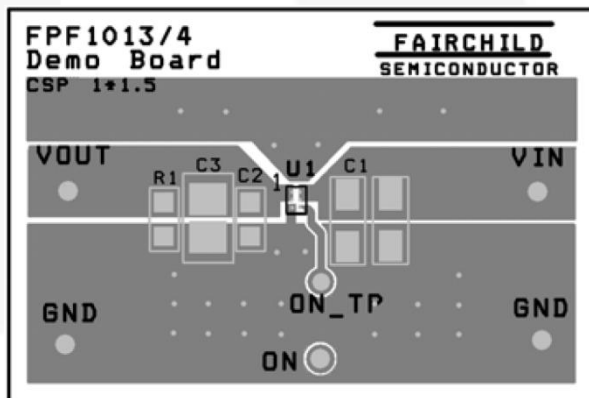
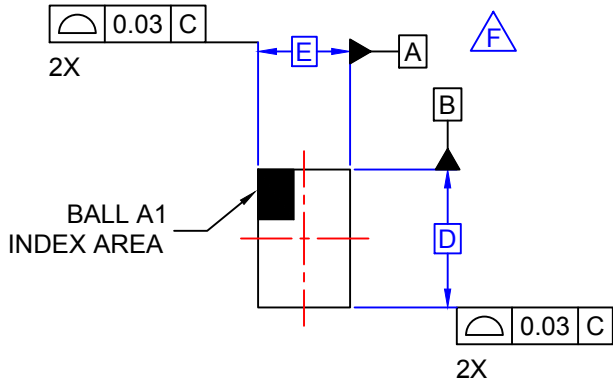
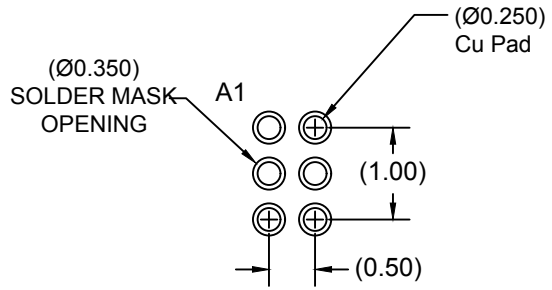


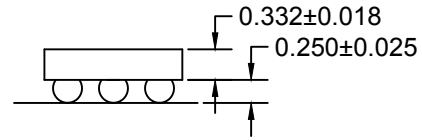
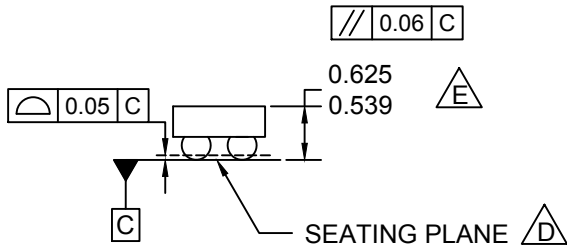
Figure 23. Demonstration Board Layout



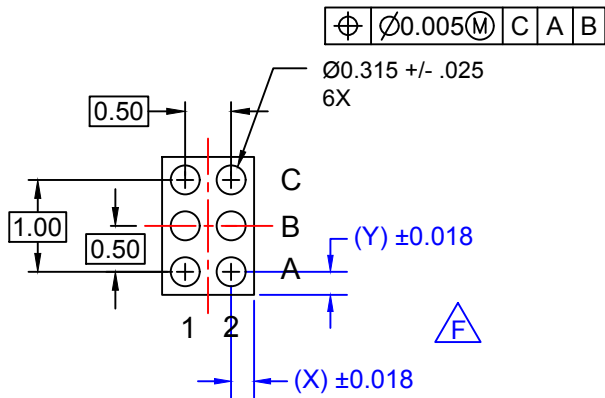
TOP VIEW



RECOMMENDED LAND PATTERN  
(NSMD PAD TYPE)



SIDE VIEWS



BOTTOM VIEW

NOTES:

A. NO JEDEC REGISTRATION APPLIES.

B. DIMENSIONS ARE IN MILLIMETERS.

C. DIMENSIONS AND TOLERANCE PER ASMEY14.5M, 1994.

**D.** DATUM C IS DEFINED BY THE SPHERICAL CROWNS OF THE BALLS.

**E.** PACKAGE NOMINAL HEIGHT IS 582 MICRONS ±43 MICRONS (539-625 MICRONS).

**F.** FOR DIMENSIONS D, E, X, AND Y SEE PRODUCT DATASHEET.

G. DRAWING FILNAME: MKT-UC006AFrev3.





**TRADEMARKS**

The following includes registered and unregistered trademarks and service marks, owned by Fairchild Semiconductor and/or its global subsidiaries, and is not intended to be an exhaustive list of all such trademarks.

- AccuPower™
- AttitudeEngine™
- Awinda®
- AX-CAP®\*
- BitSiC™
- Build it Now™
- CorePLUS™
- CorePOWER™
- CROSSVOL™
- CTL™
- Current Transfer Logic™
- DEUXPEED®
- Dual Cool™
- EcoSPARK®
- EfficientMax™
- ESBC™
- F**™
- Fairchild®
- Fairchild Semiconductor®
- FACT Quiet Series™
- FACT®
- FastvCore™
- FETBench™
- FPS™
- F-PFS™
- FRFET®
- Global Power Resource<sup>SM</sup>
- GreenBridge™
- Green FPS™
- Green FPS™ e-Series™
- Gmax™
- GTO™
- IntelliMAX™
- ISOPLANAR™
- Making Small Speakers Sound Louder and Better™
- MegaBuck™
- MICROCOUPLER™
- MicroFET™
- MicroPak™
- MicroPak2™
- MillerDrive™
- MotionMax™
- MotionGrid®
- MTi®
- MTx®
- MVN®
- mWSaver®
- OptoHiT™
- OPTOLOGIC®
- OPTOPLANAR®
- ™
- Power Supply WebDesigner™
- PowerTrench®
- PowerXS™
- Programmable Active Droop™
- QFET®
- QS™
- Quiet Series™
- RapidConfigure™
- ™
- Saving our world, 1mW/W/kW at a time™
- SignalWise™
- SmartMax™
- SMART START™
- Solutions for Your Success™
- SPM®
- STEALTH™
- SuperFET®
- SuperSOT™-3
- SuperSOT™-6
- SuperSOT™-8
- SupreMOS®
- SyncFET™
- Sync-Lock™
- SYSTEM GENERAL®
- TinyBoost®
- TinyBuck®
- TinyCalc™
- TinyLogic®
- TINYOPTO™
- TinyPower™
- TinyPWM™
- TinyWire™
- TranSiC™
- TriFault Detect™
- TRUECURRENT®\*
- μSerDes™
- SerDes™
- UHC®
- Ultra FRFET™
- UniFET™
- VcX™
- VisualMax™
- VoltagePlus™
- XS™
- Xsens™
- 仙童®

\* Trademarks of System General Corporation, used under license by Fairchild Semiconductor.

**DISCLAIMER**

FAIRCHILD SEMICONDUCTOR RESERVES THE RIGHT TO MAKE CHANGES WITHOUT FURTHER NOTICE TO ANY PRODUCTS HEREIN TO IMPROVE RELIABILITY, FUNCTION, OR DESIGN. TO OBTAIN THE LATEST, MOST UP-TO-DATE DATASHEET AND PRODUCT INFORMATION, VISIT OUR WEBSITE AT [HTTP://WWW.FAIRCHILDSEMI.COM](http://www.fairchildsemi.com). FAIRCHILD DOES NOT ASSUME ANY LIABILITY ARISING OUT OF THE APPLICATION OR USE OF ANY PRODUCT OR CIRCUIT DESCRIBED HEREIN; NEITHER DOES IT CONVEY ANY LICENSE UNDER ITS PATENT RIGHTS, NOR THE RIGHTS OF OTHERS. THESE SPECIFICATIONS DO NOT EXPAND THE TERMS OF FAIRCHILD'S WORLDWIDE TERMS AND CONDITIONS, SPECIFICALLY THE WARRANTY THEREIN, WHICH COVERS THESE PRODUCTS.

**AUTHORIZED USE**

Unless otherwise specified in this data sheet, this product is a standard commercial product and is not intended for use in applications that require extraordinary levels of quality and reliability. This product may not be used in the following applications, unless specifically approved in writing by a Fairchild officer: (1) automotive or other transportation, (2) military/aerospace, (3) any safety critical application – including life critical medical equipment – where the failure of the Fairchild product reasonably would be expected to result in personal injury, death or property damage. Customer's use of this product is subject to agreement of this Authorized Use policy. In the event of an unauthorized use of Fairchild's product, Fairchild accepts no liability in the event of product failure. In other respects, this product shall be subject to Fairchild's Worldwide Terms and Conditions of Sale, unless a separate agreement has been signed by both Parties.

**ANTI-COUNTERFEITING POLICY**

Fairchild Semiconductor Corporation's Anti-Counterfeiting Policy. Fairchild's Anti-Counterfeiting Policy is also stated on our external website, [www.fairchildsemi.com](http://www.fairchildsemi.com), under Terms of Use

Counterfeiting of semiconductor parts is a growing problem in the industry. All manufacturers of semiconductor products are experiencing counterfeiting of their parts. Customers who inadvertently purchase counterfeit parts experience many problems such as loss of brand reputation, substandard performance, failed applications, and increased cost of production and manufacturing delays. Fairchild is taking strong measures to protect ourselves and our customers from the proliferation of counterfeit parts. Fairchild strongly encourages customers to purchase Fairchild parts either directly from Fairchild or from Authorized Fairchild Distributors who are listed by country on our web page cited above. Products customers buy either from Fairchild directly or from Authorized Fairchild Distributors are genuine parts, have full traceability, meet Fairchild's quality standards for handling and storage and provide access to Fairchild's full range of up-to-date technical and product information. Fairchild and our Authorized Distributors will stand behind all warranties and will appropriately address any warranty issues that may arise. Fairchild will not provide any warranty coverage or other assistance for parts bought from Unauthorized Sources. Fairchild is committed to combat this global problem and encourage our customers to do their part in stopping this practice by buying direct or from authorized distributors.

**PRODUCT STATUS DEFINITIONS**

**Definition of Terms**

Datasheet Identification	Product Status	Definition
Advance Information	Formative / In Design	Datasheet contains the design specifications for product development. Specifications may change in any manner without notice.
Preliminary	First Production	Datasheet contains preliminary data; supplementary data will be published at a later date. Fairchild Semiconductor reserves the right to make changes at any time without notice to improve design.
No Identification Needed	Full Production	Datasheet contains final specifications. Fairchild Semiconductor reserves the right to make changes at any time without notice to improve the design.
Obsolete	Not In Production	Datasheet contains specifications on a product that is discontinued by Fairchild Semiconductor. The datasheet is for reference information only.