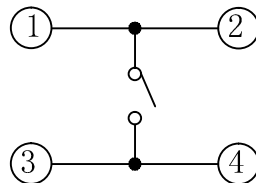
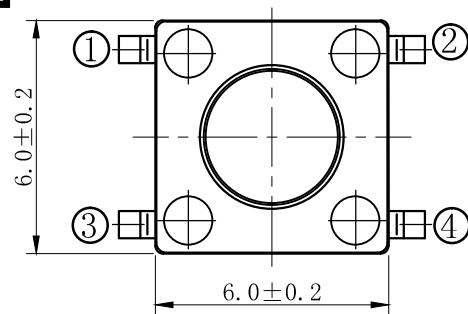
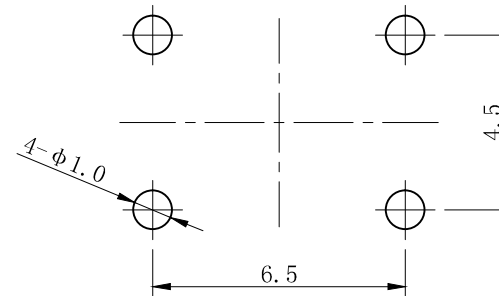


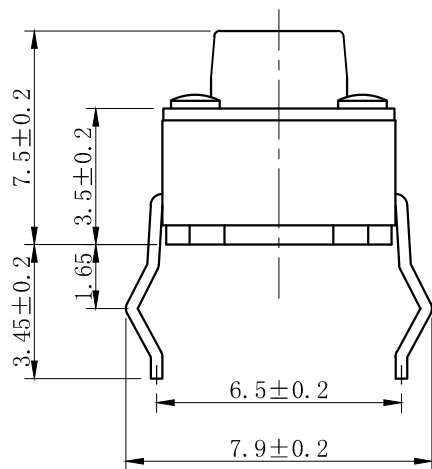
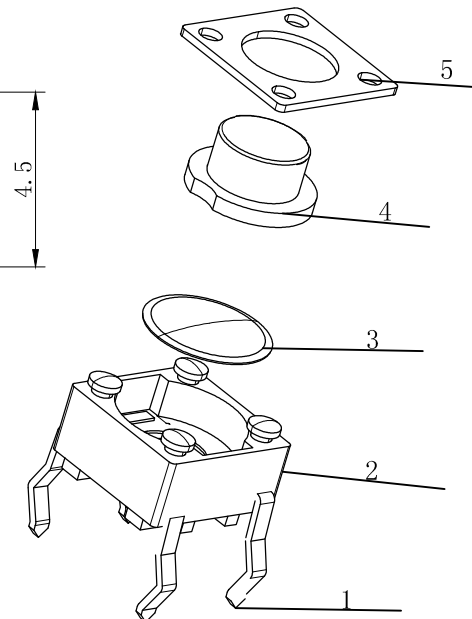
ROHS
Compatible



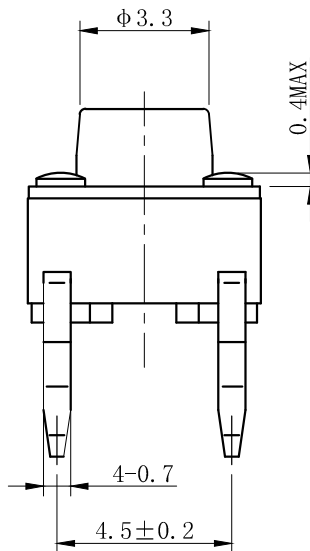
CIRCUIT DIAGRAM



P.C.B LAND DIMENSION



REFERENCE DRAWING



SPECIFICATION

1. Rating: DC 12V 50mA Max
2. Contact resistance: 100mΩ MAX
3. Insulation resistance: 100MΩ Min
4. Dielectric strength: 250VAC/min
5. Operating force: 180gf±50gf
6. Operating life: 80,000 cycles

UNSPECIFIED TOLERANCE 未指定的公差	
ANGULAR (角度)	±0.5°
16 < L ≤ 63	±0.4
4 < L ≤ 16	±0.3
L ≤ 4	±0.2

NO (序号)	PART NAME (部件名)	QTY (数量)	MATERIAL (材料)	REMARK (备注)
5	COVER (盖板)	1	COLD PRESSED STEELPLATE	
4	STEM (按钮)	1	PA66	
3	CONTACT FORM (弹片)	1	PHOSPHORUS BRONZE	Ag plating
2	TERMINAL (端子)	1	BRASS	Ag plating
1	HOUSING (底座)	1	PA66	

版本	变更说明	日期	ECN NO.	核准	核对	绘图	品名	TITLE	图号	DRAWING NO
VER	CHANGE DESCRIPTION	DATE	ECN NO.	APPROVED BY	CHECKED BY	DRAWN BY	品名	TITLE	图号	DRAWING NO
						孙成	TVDP01-075BB		TVDP01-075BB_A0	

