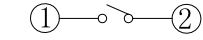
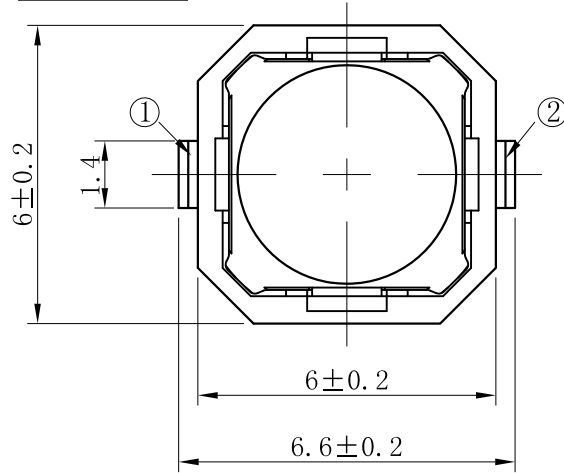
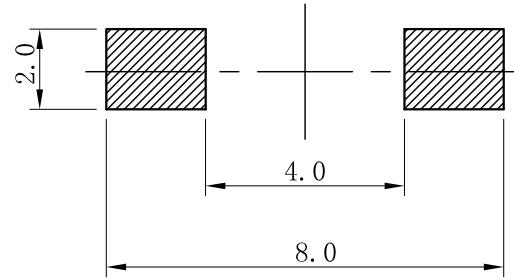


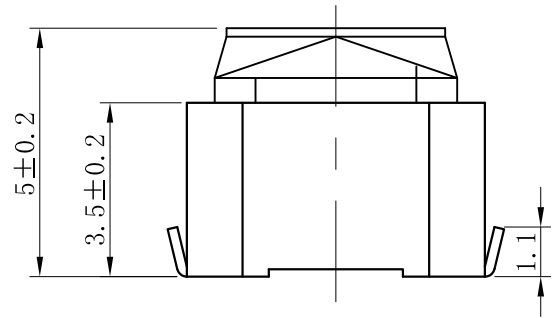
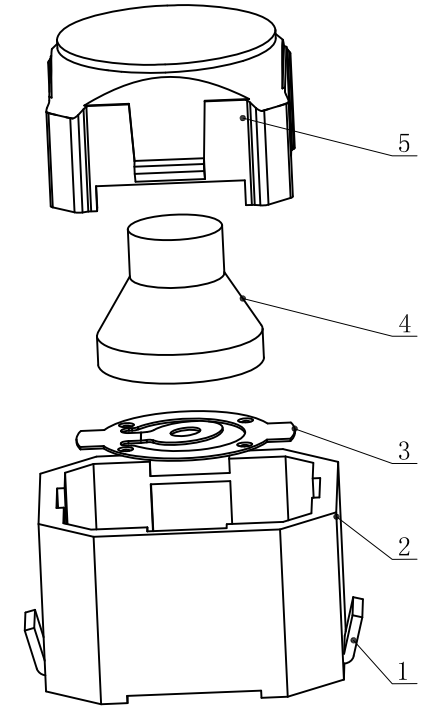
**ROHS**  
Compatible



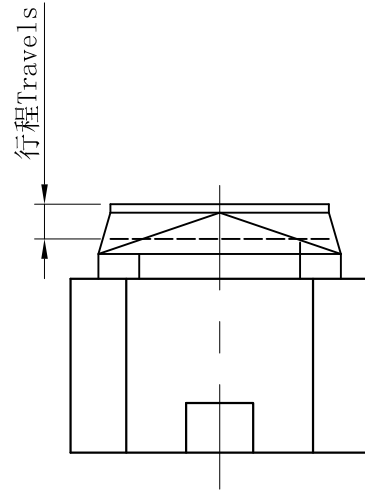
CIRCUIT DIAGRAM



P. C. B LAND DIMENSION




REFERENCE DRAWING



SPECIFICATION

1. Rating: DC 12V 50mA Max
2. Contact resistance: 100mΩ MAX
3. Insulation resistance: 100MΩ Min
4. Dielectric strength: 250VAC/min
5. Operating force: 250gf±50gf
6. Operating life: 50,000 cycles(1Ω Max)

UNSPECIFIED TOLERANCE 未指定的公差	ANGULAR(角度)	NO(序号)	PART NAME(部件名)	QTY(数量)	MATERIAL(材料)	REMARK(备注)
±0.5°	16 < L ≤ 63	5	COVER(盖子)	1	PA9T	BLACK
±0.4	4 < L ≤ 16	4	STEM(按钮)	1	Silicone	—
±0.3	L ≤ 4	3	CONTACT FORM(弹片)	1	PHOSPHOR BRONZE	Silver coated
±0.2		2	HOUSING(底座)	1	LCP	BLACK
		1	TERMINAL(端子)	1	BRASS	Ag plating

				 <b>D-SWITCH</b> 东莞市德松电子有限公司 D-SWITCH ELECTRONICS CO.,LTD							
		版本 VERSION	A0	比例尺 SCALE	1:1	日期 DATE	2022.04.12	品名 TITLE	DRAWING NO		
		核准 APPROVED BY		核对 CHECKED BY		绘图 DRAWN BY	孙成	DS-TVFU03-050C-R	XXXXXXX		
版本 VER	变更说明 CHANGE DESCRIPTION	日期 DATE	ECN NO.								