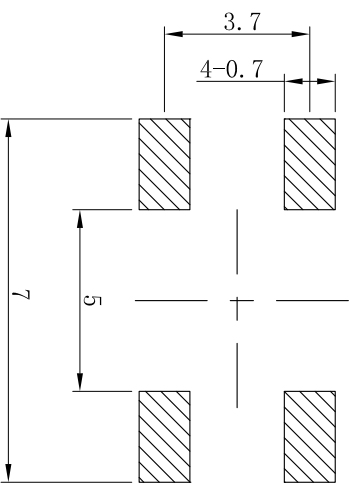
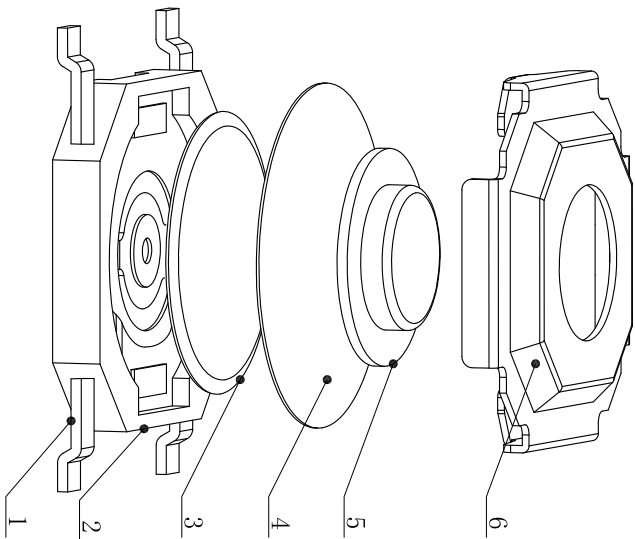


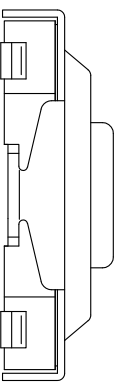
CIRCUIT DIAGRAM



P.C.B LAND DIMENSION



REFERENCE DRAWING



SPECIFICATION

1. Rating: DC 12V 50mA Max
2. Contact resistance: 100mΩ MAX
3. Insulation resistance: 100MΩ Min
4. Dielectric strength: 250VAC/min
5. Operating force: 180gf±50gf
6. Operating life: 50,000 cycles

UNSPECIFIED TOLERANCE	TOLERANCE
未指定的公差	±0.5°
ANGULAR(角度)	±0.4
16 < L ≤ 63	±0.3
4 < L ≤ 16	±0.2
L ≤ 4	±0.2

NO (序号)	PART NAME (部件名)	QTY (数量)	MATERIAL (材料)	REMARK (备注)
6	COVER (盖板)	1	SUS304	
5	STEM (接钮)	1	H65	YELLOW
4	TAPE (防尘胶)	1	PI	
3	CONTACT FORM (弹片)	1	SUS301	Ag plating
2	HOUSING (基座)	1	PA6T	BLACK
1	TERMINAL (端子)	1	H65	Ag plating



版本 VER	变更说明 CHANGE DESCRIPTION	日期 DATE	ECN NO.

版本 VERSION	核准 APPROVED BY	比例尺 SCALE	核对 CHECKED BY	日期 DATE	绘图 DRAWN BY	品名 TITLE	图号 DRAWING NO
A0		1:1		2023.02.03	孙成	DS-TV/CM16-015BY-R	XXXXXXXX