

100179



Not Intended For New Designs

T-45-07

100179

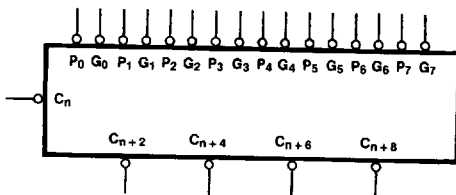
# Carry Lookahead Generator

## General Description

The 100179 is a high-speed Carry Lookahead Generator intended for use with the 100180 6-bit fast Adder and the 100181 4-bit ALU. All inputs have 50 kΩ pulldown resistors.

**Ordering Code:** See Section 6

## Logic Symbol

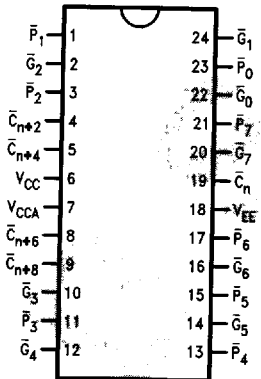


TL/F/9871-3

Pin Names	Description
$\overline{C}_n$	Carry Input (Active LOW)
$\overline{P}_0 - \overline{P}_7$	Carry Propagate Inputs (Active LOW)
$\overline{G}_0 - \overline{G}_7$	Carry Generate Inputs (Active LOW)
$\overline{C}_{n+2}, \overline{C}_{n+4}$ $\overline{C}_{n+6}, \overline{C}_{n+8}$	Carry Outputs

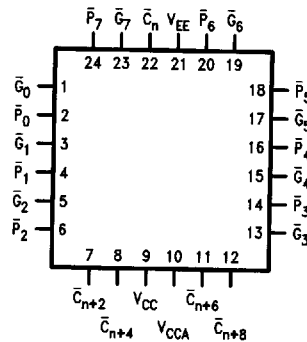
## Connection Diagrams

24-Pin DIP



TL/F/9871-1

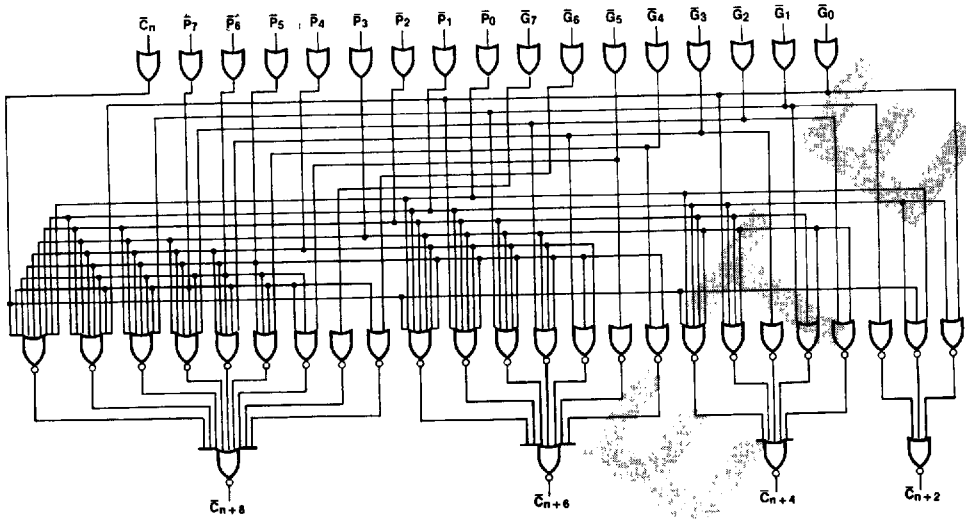
24-Pin Quad Cerpak



TL/F/9871-2

100179

### Logic Diagram



TL/F/9871-5

### Truth Tables

$\bar{C}_{n+2}$  Output

Inputs					Output
$\bar{C}_n$	$\bar{G}_0$	$\bar{P}_0$	$\bar{G}_1$	$\bar{P}_1$	$\bar{C}_{n+2}$
X	X	X	L	X	L
X	L	X	X	L	L
L	X	L	X	L	L
All other combinations					H

$$\bar{C}_{n+2} = \bar{G}_1 \cdot (\bar{P}_1 + \bar{G}_0) \cdot (\bar{P}_1 + \bar{P}_0 + \bar{C}_n)$$

H = HIGH Voltage Level  
 L = LOW Voltage Level  
 X = Don't Care

$\bar{C}_{n+4}$  Output

Inputs									Output
$\bar{C}_n$	$\bar{G}_0$	$\bar{P}_0$	$\bar{G}_1$	$\bar{P}_1$	$\bar{G}_2$	$\bar{P}_2$	$\bar{G}_3$	$\bar{P}_3$	$\bar{C}_{n+4}$
X	X	X	X	X	X	X	L	X	L
X	X	X	X	X	L	X	X	L	L
X	X	X	L	X	X	L	X	L	L
X	L	X	X	L	X	L	X	L	L
L	X	L	X	L	X	L	X	L	L
All other combinations									H

$$\bar{C}_{n+4} = \bar{G}_3 \cdot (\bar{P}_3 + \bar{G}_2) \cdot (\bar{P}_3 + \bar{P}_2 + \bar{G}_1) \cdot (\bar{P}_3 + \bar{P}_2 + \bar{P}_1 + \bar{G}_0) \cdot (\bar{P}_3 + \bar{P}_2 + \bar{P}_1 + \bar{P}_0 + \bar{C}_n)$$

100179

**Truth Tables** (Continued)

$\bar{C}_{n+6}$  Output

Inputs													Output
$\bar{C}_n$	$\bar{G}_0$	$\bar{P}_0$	$\bar{G}_1$	$\bar{P}_1$	$\bar{G}_2$	$\bar{P}_2$	$\bar{G}_3$	$\bar{P}_3$	$\bar{G}_4$	$\bar{P}_4$	$\bar{G}_5$	$\bar{P}_5$	$\bar{C}_{n+6}$
X	X	X	X	X	X	X	X	X	X	X	L	X	L
X	X	X	X	X	X	X	X	X	L	X	X	L	L
X	X	X	X	X	X	X	L	X	X	L	X	L	L
X	X	X	X	X	L	X	X	L	X	L	X	L	L
X	X	X	L	X	X	L	X	L	X	L	X	L	L
X	L	X	X	L	X	L	X	L	X	L	X	L	L
L	X	L	X	L	X	L	X	L	X	L	X	L	L
All other combinations													H

$$\bar{C}_{n+6} = \bar{G}_5 \cdot (\bar{P}_5 + \bar{G}_4) \cdot (\bar{P}_5 + \bar{P}_4 + \bar{G}_3) \cdot (\bar{P}_5 + \bar{P}_4 + \bar{P}_3 + \bar{G}_2) \\ \cdot (\bar{P}_5 + \bar{P}_4 + \bar{P}_3 + \bar{P}_2 + \bar{G}_1) \cdot (\bar{P}_5 + \bar{P}_4 + \bar{P}_3 + \bar{P}_2 + \bar{P}_1 + \bar{G}_0) \\ \cdot (\bar{P}_5 + \bar{P}_4 + \bar{P}_3 + \bar{P}_2 + \bar{P}_1 + \bar{P}_0 + \bar{C}_n)$$

$\bar{C}_{n+8}$  Output

Inputs															Output		
$\bar{C}_n$	$\bar{G}_0$	$\bar{P}_0$	$\bar{G}_1$	$\bar{P}_1$	$\bar{G}_2$	$\bar{P}_2$	$\bar{G}_3$	$\bar{P}_3$	$\bar{G}_4$	$\bar{P}_4$	$\bar{G}_5$	$\bar{P}_5$	$\bar{G}_6$	$\bar{P}_6$	$\bar{G}_7$	$\bar{P}_7$	$\bar{C}_{n+8}$
X	X	X	X	X	X	X	X	X	X	X	X	X	X	X	L	X	L
X	X	X	X	X	X	X	X	X	X	X	X	X	L	X	X	L	L
X	X	X	X	X	X	X	X	X	X	X	L	X	X	L	X	L	L
X	X	X	X	X	X	X	X	X	L	X	X	L	X	L	X	L	L
X	X	X	X	X	X	X	L	X	X	L	X	L	X	L	X	L	L
X	X	X	X	X	L	X	X	L	X	L	X	L	X	L	X	L	L
X	X	X	L	X	X	L	X	L	X	L	X	L	X	L	X	L	L
L	X	L	X	L	X	L	X	L	X	L	X	L	X	L	X	L	L
All other combinations																	H

$$\bar{C}_{n+8} = \bar{G}_7 \cdot (\bar{P}_7 + \bar{G}_6) \cdot (\bar{P}_7 + \bar{P}_6 + \bar{G}_5) \cdot (\bar{P}_7 + \bar{P}_6 + \bar{P}_5 + \bar{G}_4) \\ \cdot (\bar{P}_7 + \bar{P}_6 + \bar{P}_5 + \bar{P}_4 + \bar{G}_3) \cdot (\bar{P}_7 + \bar{P}_6 + \bar{P}_5 + \bar{P}_4 + \bar{P}_3 + \bar{G}_2) \\ \cdot (\bar{P}_7 + \bar{P}_6 + \bar{P}_5 + \bar{P}_4 + \bar{P}_3 + \bar{P}_2 + \bar{G}_1) \\ \cdot (\bar{P}_7 + \bar{P}_6 + \bar{P}_5 + \bar{P}_4 + \bar{P}_3 + \bar{P}_2 + \bar{P}_1 + \bar{G}_0) \\ \cdot (\bar{P}_7 + \bar{P}_6 + \bar{P}_5 + \bar{P}_4 + \bar{P}_3 + \bar{P}_2 + \bar{P}_1 + \bar{P}_0 + \bar{C}_n)$$

H = HIGH Voltage Level  
L = LOW Voltage Level  
X = Don't Care

100179

### Absolute Maximum Ratings

Above which the useful life may be impaired. (Note 1)

If Military/Aerospace specified devices are required, please contact the National Semiconductor Sales Office/Distributors for availability and specifications.

Storage Temperature -65°C to +150°C  
 Maximum Junction Temperature (T<sub>J</sub>) +150°C

Case Temperature under Bias (T<sub>C</sub>) 0°C to +85°C  
 V<sub>EE</sub> Pin Potential to Ground Pin -7.0V to +0.5V  
 Input Voltage (DC) V<sub>EE</sub> to +0.5V  
 Output Current (DC Output HIGH) -50 mA  
 Operating Range (Note 2) -5.7V to -4.2V

### DC Electrical Characteristics

V<sub>EE</sub> = -4.5V, V<sub>CC</sub> = V<sub>CCA</sub> = GND, T<sub>C</sub> = 0°C to +85°C (Note 3)

Symbol	Parameter	Min	Typ	Max	Units	Conditions (Note 4)	
V <sub>OH</sub>	Output HIGH Voltage	-1025	-955	-880	mV	V <sub>IN</sub> = V <sub>IH</sub> (Max) or V <sub>IL</sub> (Min)	Loading with 50Ω to -2.0V
V <sub>OL</sub>	Output LOW Voltage	-1810	-1705	-1620			
V <sub>OH</sub> C	Output HIGH Voltage	-1035			mV	V <sub>IN</sub> = V <sub>IH</sub> (Min) or V <sub>IL</sub> (Max)	Loading with 50Ω to -2.0V
V <sub>OL</sub> C	Output LOW Voltage			-1610			
V <sub>IH</sub>	Input HIGH Voltage	-1165		-880	mV	Guaranteed HIGH Signal for All Inputs	
V <sub>IL</sub>	Input LOW Voltage	-1810		-1475	mV	Guaranteed LOW Signal for All Inputs	
I <sub>IL</sub>	Input LOW Current	0.50			μA	V <sub>IN</sub> = V <sub>IL</sub> (Min)	

### DC Electrical Characteristics

V<sub>EE</sub> = -4.2V, V<sub>CC</sub> = V<sub>CCA</sub> = GND, T<sub>C</sub> = 0°C to +85°C (Note 3)

Symbol	Parameter	Min	Typ	Max	Units	Conditions (Note 4)	
V <sub>OH</sub>	Output HIGH Voltage	-1020		-870	mV	V <sub>IN</sub> = V <sub>IH</sub> (Max) or V <sub>IL</sub> (Min)	Loading with 50Ω to -2.0V
V <sub>OL</sub>	Output LOW Voltage	-1810		-1605			
V <sub>OH</sub> C	Output HIGH Voltage	-1030			mV	V <sub>IN</sub> = V <sub>IH</sub> (Min) or V <sub>IL</sub> (Max)	Loading with 50Ω to -2.0V
V <sub>OL</sub> C	Output LOW Voltage			-1595			
V <sub>IH</sub>	Input HIGH Voltage	-1150		-870	mV	Guaranteed HIGH Signal for All Inputs	
V <sub>IL</sub>	Input LOW Voltage	-1810		-1475	mV	Guaranteed LOW Signal for All Inputs	
I <sub>IL</sub>	Input LOW Current	0.50			μA	V <sub>IN</sub> = V <sub>IL</sub> (Min)	

### DC Electrical Characteristics

V<sub>EE</sub> = -4.8V, V<sub>CC</sub> = V<sub>CCA</sub> = GND, T<sub>C</sub> = 0°C to +85°C (Note 3)

Symbol	Parameter	Min	Typ	Max	Units	Conditions (Note 4)	
V <sub>OH</sub>	Output HIGH Voltage	-1035		-880	mV	V <sub>IN</sub> = V <sub>IH</sub> (Max) or V <sub>IL</sub> (Min)	Loading with 50Ω to -2.0V
V <sub>OL</sub>	Output LOW Voltage	-1830		-1620			
V <sub>OH</sub> C	Output HIGH Voltage	-1045			mV	V <sub>IN</sub> = V <sub>IH</sub> (Min) or V <sub>IL</sub> (Max)	Loading with 50Ω to -2.0V
V <sub>OL</sub> C	Output LOW Voltage			-1610			
V <sub>IH</sub>	Input HIGH Voltage	-1165		-880	mV	Guaranteed HIGH Signal for All Inputs	
V <sub>IL</sub>	Input LOW Voltage	-1830		-1490	mV	Guaranteed LOW Signal for All Inputs	
I <sub>IL</sub>	Input LOW Current	0.50			μA	V <sub>IN</sub> = V <sub>IL</sub> (Min)	

**Note 1:** Absolute maximum ratings are those values beyond which the device may be damaged or have its useful life impaired. Functional operation under these conditions is not implied.

**Note 2:** Parametric values specified at -4.2V to -4.8V.

**Note 3:** The specified limits represent the "worst case" value for the parameter. Since these "worst case" values normally occur at the temperature extremes, additional noise immunity and guard banding can be achieved by decreasing the allowable system operating ranges.

**Note 4:** Conditions for testing shown in the tables are chosen to guarantee operation under "worst case" conditions.

### DC Electrical Characteristics

$V_{EE} = -4.2V$  to  $-4.8V$  unless otherwise specified,  $V_{CC} = V_{CCA} = GND$ ,  $T_C = 0^\circ C$  to  $+85^\circ C$

Symbol	Parameter	Min	Typ	Max	Units	Conditions
$I_{IH}$	Input HIGH Current $\bar{C}_N, \bar{G}_0-\bar{G}_7$ $\bar{P}_0-\bar{P}_7$			250 340	$\mu A$	$V_{IN} = V_{IH} (Max)$
$I_{EE}$	Power Supply Current	-220	-150	-100	mA	Inputs Open

### Ceramic Dual-In-Line Package AC Electrical Characteristics

$V_{EE} = -4.2V$  to  $-4.8V$ ,  $V_{CC} = V_{CCA} = GND$

Symbol	Parameter	$T_C = 0^\circ C$		$T_C = +25^\circ$		$T_C = +85^\circ C$		Units	Conditions
		Min	Max	Min	Max	Min	Max		
$t_{PLH}$ $t_{PHL}$	Propagation Delay $\bar{C}_n, \bar{G}_0-\bar{G}_7, \bar{P}_0-\bar{P}_7$ to $\bar{C}_{n+x}$	1.10	2.90	1.10	2.90	1.10	3.00	ns	Figures 1 and 2
$t_{TLH}$ $t_{THL}$	Transition Time 20% to 80%, 80% to 20%	0.45	1.80	0.45	1.80	0.45	1.80	ns	

### Cerpak AC Electrical Characteristics

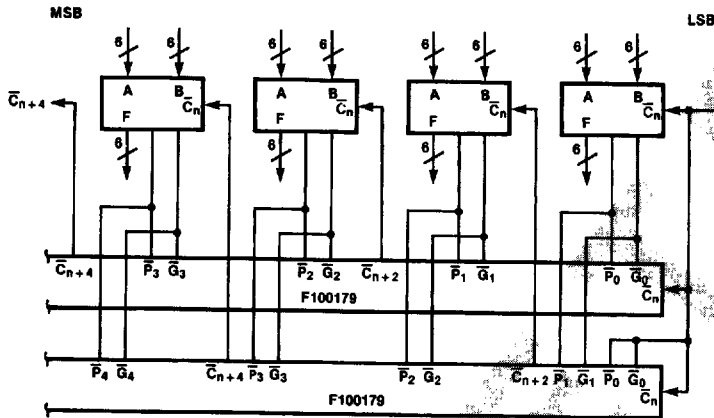
$V_{EE} = -4.2V$  to  $-4.8V$ ,  $V_{CC} = V_{CCA} = GND$

Symbol	Parameter	$T_C = 0^\circ C$		$T_C = +25^\circ$		$T_C = +85^\circ C$		Units	Conditions
		Min	Max	Min	Max	Min	Max		
$t_{PLH}$ $t_{PHL}$	Propagation Delay $\bar{C}_n, \bar{G}_0-\bar{G}_7, \bar{P}_0-\bar{P}_7$ to $\bar{C}_{n+x}$	1.10	2.70	1.10	2.70	1.10	2.80	ns	Figures 1 and 2
$t_{TLH}$ $t_{THL}$	Transition Time 20% to 80%, 80% to 20%	0.45	1.70	0.45	1.70	0.45	1.70	ns	



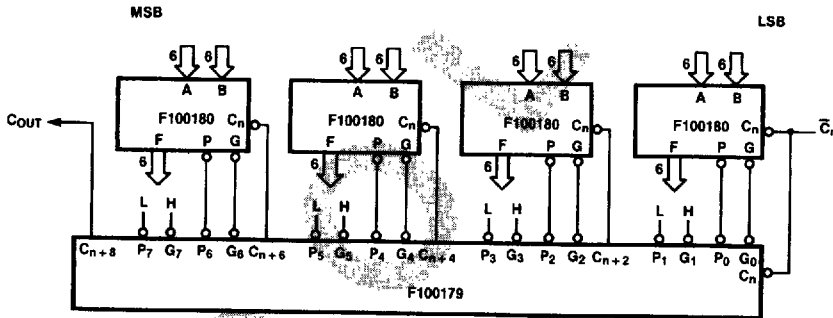
Applications

Fast Adder and Carry Lookahead



TL/F/9871-8

24-Bit Adder Using One Carry Lookahead



TL/F/9871-9