

# GT-TC020X-HXXX-LX

G-SWITCH

**Operating Force**

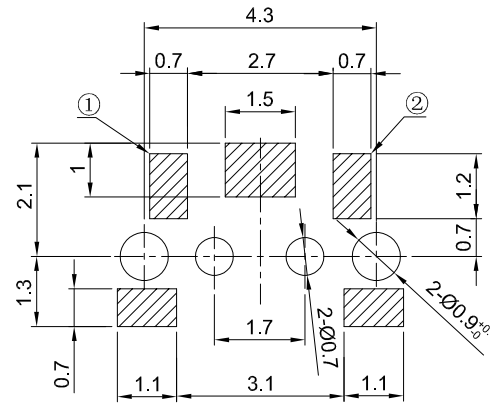
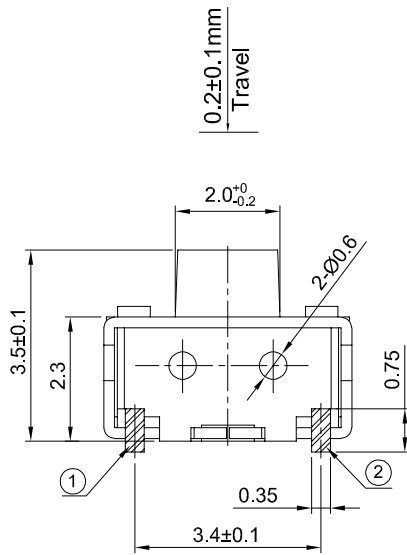
A=180gf  
B=250gf

**Switch Height (mm)**

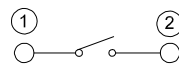
H035=3.5mm

**Switch lifetime (Force)**

L05=50,000 Cycles



P.C.B LAND DIMENSION



CIRCUIT DIAGRAM



**RoHS**  
Compliant  
2002/95/EC



SCALE: 7:1 UNIT: mm  
SIZE: A4

Unless otherwise  
General Tolerance:  
X. ±0.30  
X.x ±0.20  
X.xx ±0.15  
X.xxx ±0.10  
Angles ±3°

Title: Horizontal Tact Switch  
SMT 1.8×4.6×H3.5mm

Molde Code: GT-TC020X-HXXX-LX

DRAWN	CHECKED	APPROVED	DATE
Xla	Chen	Chen	2023.02.01



REV: A0 SHEET: 1/1