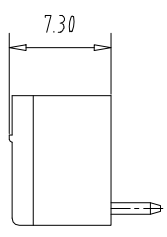
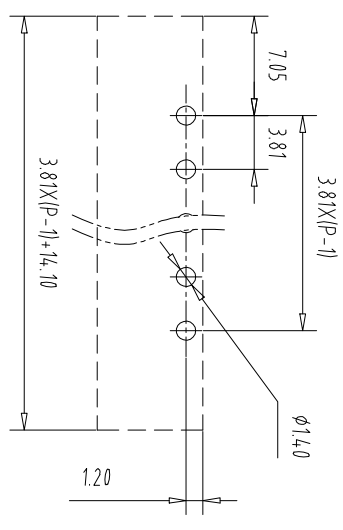
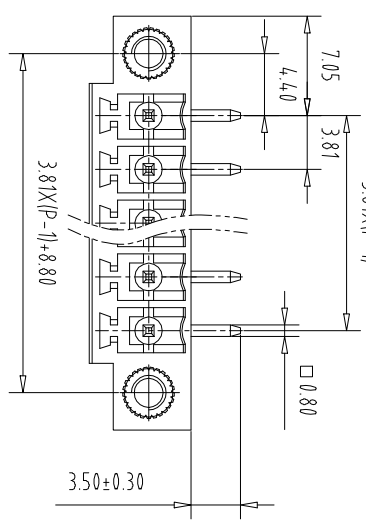
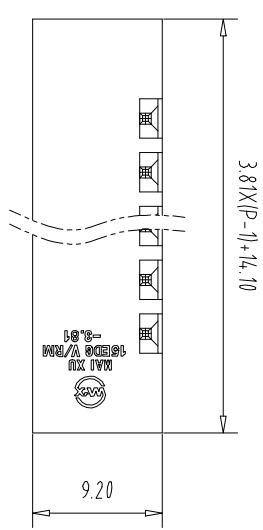


注: 本板为禁止运输、复制、编辑、修改、以及用其内容进行交流

REV	ECN NO.	CONTENT	CHK	DATE
-----	---------	---------	-----	------



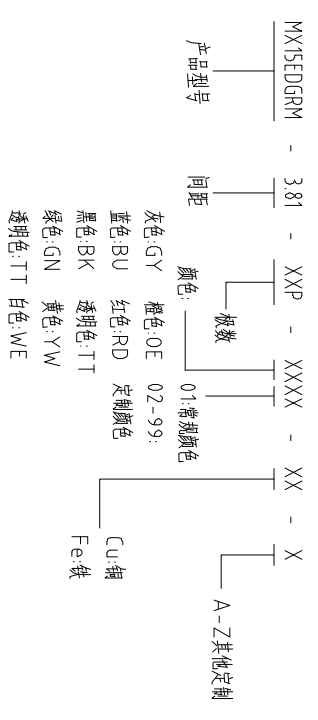
NOTES1:  
 UL Standard  
 1.Rating voltage/current: 300V/8A  
 2.withstanding voltage: AC2000V/1Min  
 IEC Standard

Pollution Degree	3	2	2
Overvoltage Category	III	III	II
Rate Impulse Voltage(KV)	2.5KV	2.5KV	2.5KV
Rate Voltage(V)	160V	160V	250V
Rate Current(A)	7A	7A	7A

NOTES2:  
 1.Housing: PA66 (UL94V-0)  
 2.Solder Pin: Brass (Sn Plated)  
 3.Nut: Brass (M2.5)

NOTES3:  
 1.Pitch: 3.81mm Poles: 02-24P  
 2.Operating temperature: -40℃~+105℃  
 3.RoHS Compliance

How to order



Pitch Range	In mm	Nominal Dimension	In mm	Range
Over 6	Over 10	Over 30	Over 60	Over 100
TO 6	TO 10	TO 24	TO 30	TO 60
TO 10	TO 24	TO 30	TO 60	TO 100
TO 10	TO 24	TO 30	TO 60	TO 150
±0.15	±0.20	±0.30	±0.30	±0.50
				±0.70
				±1.00
				±1.30
				±2°

ITEM	NAME OF PART	NO. OF PART	Q-TY	MATERIAL	NOTE
DWG	CHK	DATE	UNITS	MM	SHEET/OF 1/1
APP	DATE	SCALE	SCALE	A4	
			NAME		
			MX15EDGRM-3.81-XXP		
			DWGNO.		

MAIXU CIXI MAIXU ELECTRONICS CO.,LTD  
 慈溪市迈旭电子有限公司