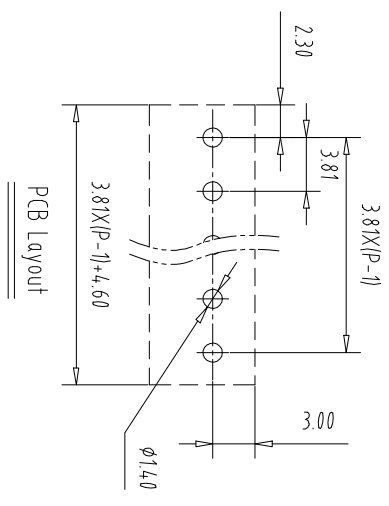
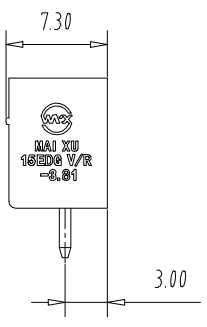
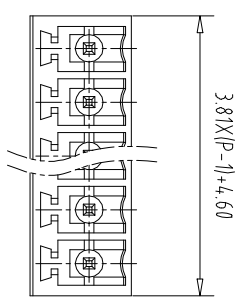
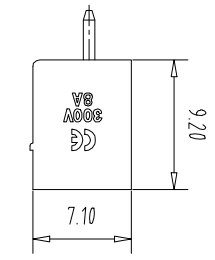
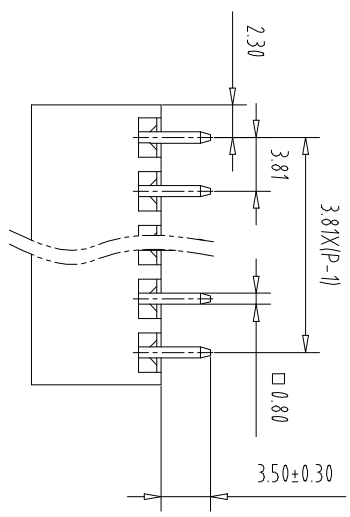


注: 本板为禁止运输、复制、编辑或存档, 以及用其内容进行交流

REV	ECN NO.	CONTENT	CHK	DATE
-----	---------	---------	-----	------



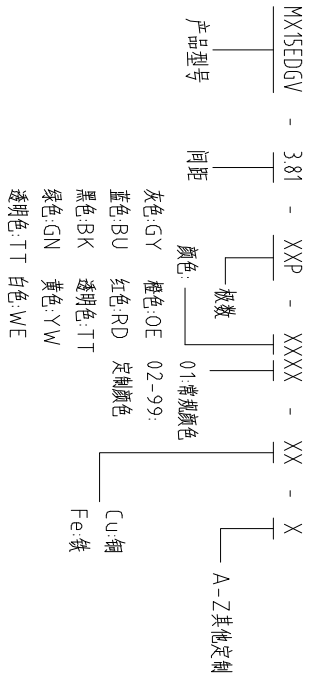
NOTES1:  
UL Standard  
1.Rating voltage/current: 300V/8A  
2.withstanding voltage: AC2000V/1Min  
IEC Standard

Pollution Degree	3	2	2
Overvoltage Category	III	III	II
Rate Impulse Voltage(kV)	2.5KV	2.5KV	2.5KV
Rate Voltage(V)	160V	160V	250V
Rate Current(A)	7A	7A	7A

NOTES2:  
1.Housing: PA66 (UL94V-0)  
2.Solder Pin: Brass (Sn Plated)

NOTES3:  
1.Pitch: 3.81mm Poles: 02-24P  
2.Operating temperature: -40℃~+105℃  
3.RoHS Compliance

How to order



Pitch	Range	In	Nominal Dimension	Range
mm	Over	In mm	Over	Over

TO	6	TO	10	TO	24	TO	30	TO	60	TO	100	TO	150		0.1/10
±0.15	±0.20	±0.30	±0.30	±0.50	±0.70	±1.00	±1.30	±2°							

ITEM	NAME OF PART	NO. OF PART	Q'TY	MATERIAL	NOTE
DWG	CHK	DATE	UNITS	MM	SHEET/OF
APP	DATE	SCALE	1:1	A4	1/1
CIXI MAIXU ELECTRONICS CO.,LTD 慈溪市迈旭电子有限公司					NAME: MX15EDGV-381-XXP DWGNO.