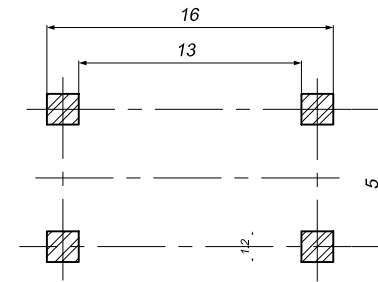
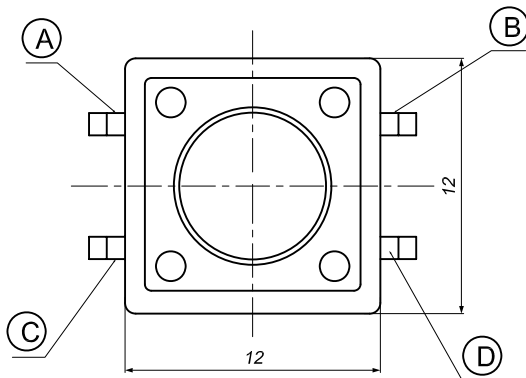
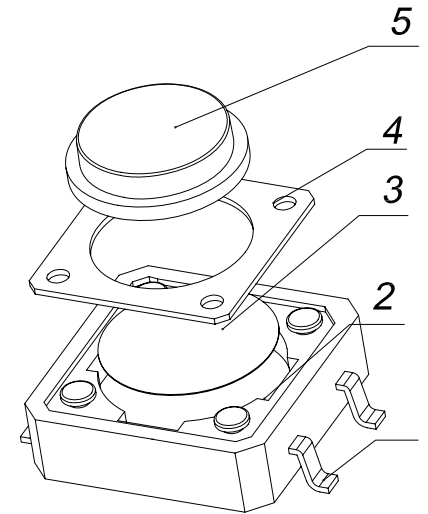
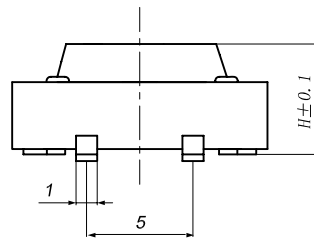
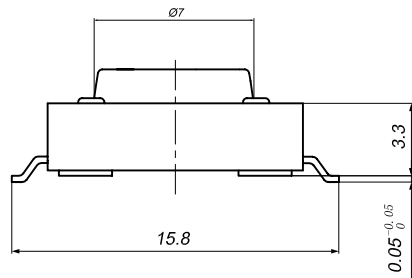


NOTE:TSTP12H

TYPE	STEM HEIGHI
TS-1103SH43	4.3
TS-1103SH50	5.0
.....



印制线路板
Recommended P.C.B layout



—		new		2015/5/3	A	
ECN BO.		DESCRIPTION.		DATE.	REV.	
DESIGNED	CHECKED	APPROVAL	DRAWING NUMBER	SCALT: 1/2		SCALE: 3:1
Mikey	Tom	Jerry	PART NAME	TS-1103S-X-X	UNLESS OTHERWISE SPECIFIED,TOLERANCE:	X. ±0.25
			MODEL NAME	TS-1103S-X-X		X.x ±0.20
			3RD ANGLE PROJ	HANYONES TECH CO.,LTD		X.xx ±0.15
					ANGULAR	±3'
FILE. NO.						