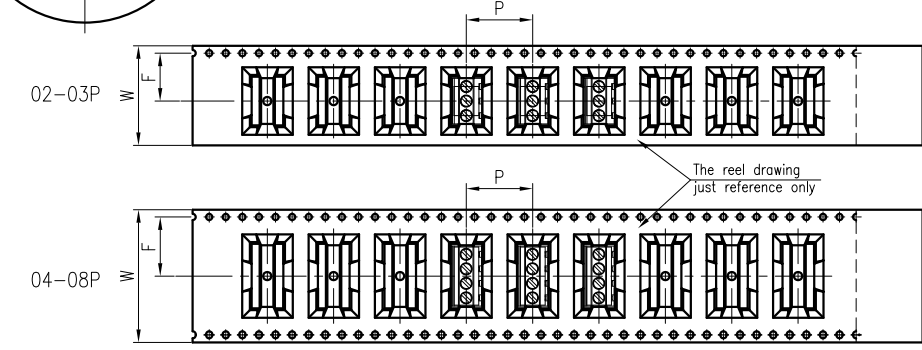
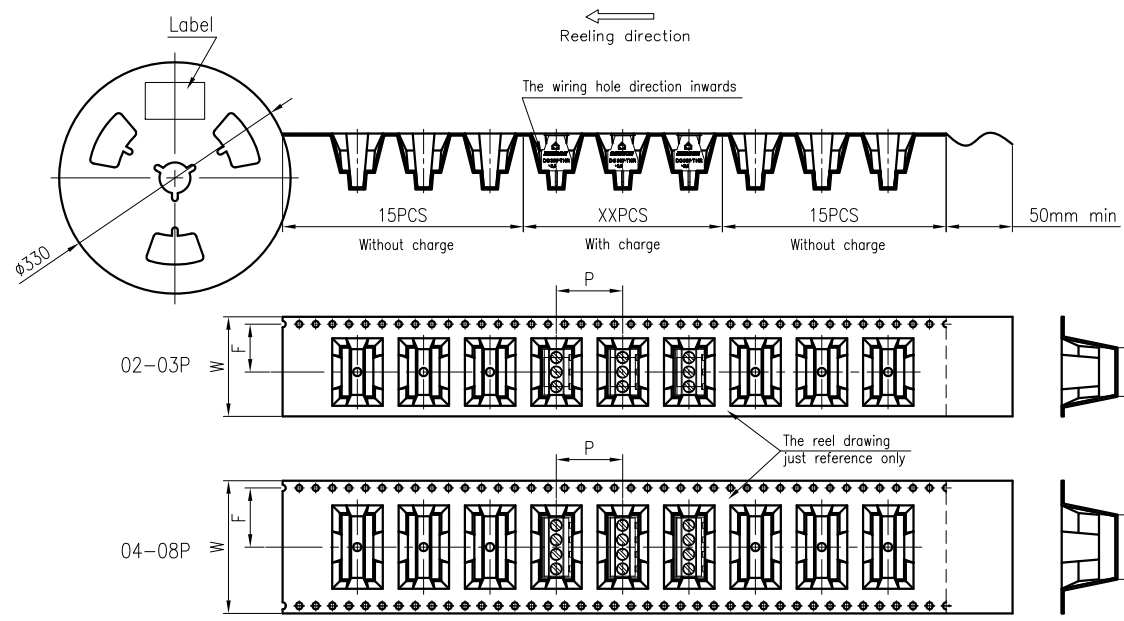
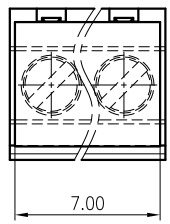


Pole	Width /W	Pitch /P	Width/F	Width/B0	Qty. per reel	Reel qty. per carton	Qty. per carton
02P	24mm	16mm	11.50mm	7.92mm	300	10	3000
03P	24mm	16mm	11.50mm	11.73mm	300	10	3000
04P	32mm	16mm	14.20mm	15.54mm	300	8	2400
05P	44mm	16mm	20.20mm	19.35mm	300	5	1500
06P	44mm	16mm	20.20mm	23.16mm	300	5	1500

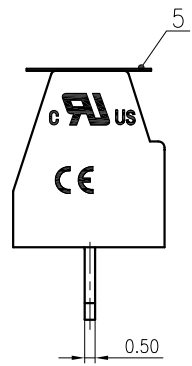
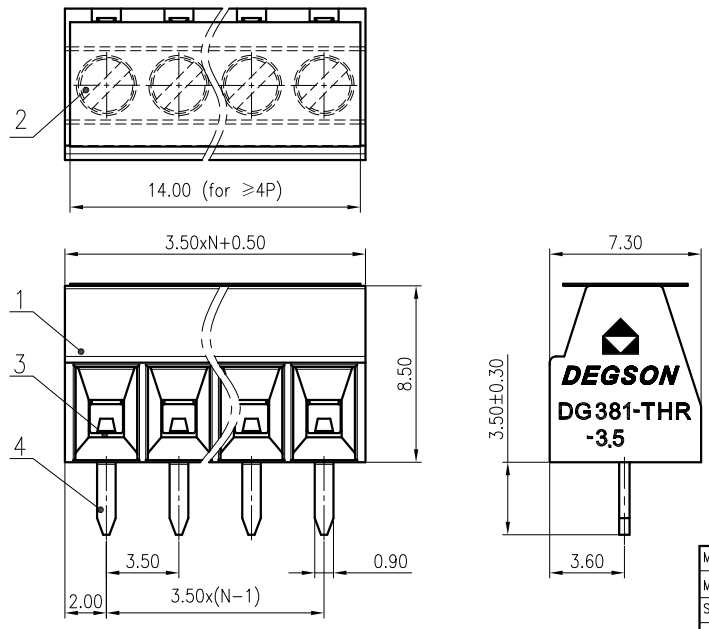
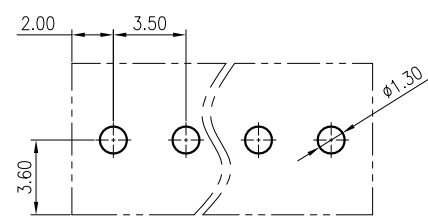
未注公差/General tolerances(mm)												
0	>3	>6	>10	>18	>30	>50	>80	>120	>180	>250	>315	>400
±0.12	±0.18	±0.22	±0.26	±0.31	±0.37	±0.57	±0.80	±0.93	±1.05	±1.15	±1.60	±2.20
											>500	0.1/10
												±Z



For 2P and 3P



PCB LAYOUT



5	Tape	Kapton	
4	Pin header	Copper alloy	Sn Plated
3	Cage	Copper alloy	M2/Ni Plated
2	Screw	Steel	M2/Zn Plated
1	Housing	Thermoplastic	UL94V-0
ITEM	NAME OF PART	MATERIAL	NOTES
UL 标准/UL Standard:			B
额定电压/电压/Rated Voltage(V)/Current(A)			150/10
IEC 标准/IEC Standard:			
过压类别/Overvoltage Category/污染等级/Pollution Degree			III/3 III/2 II/2
额定电压/电压/Rated Voltage(V)/Current(A)			63/13.5 200/13.5 200/13.5
额定脉冲电压(KV)/Rate Impulse Voltage(KV)			2.5 2.5 2.5
螺栓扭矩/Torque Tightening(N m/Lb.in)			M2, 0.2/1.77
线径范围(硬线和软线)/Wire Range(rigid and flexible)(mm ² /AWG)			0.2~1.5/30~16
间距/Pitch(mm)/线数范围/Poles			3.5/N=02~08P
剥线长度/Stripping length(mm)			5~6
使用温度范围/Operating temperature(°C)			-40~+130
符合RoHS环保要求/Conform to RoHS			Yes

MATERIAL:	/	SURFACE:	/
MAT NO.:		宁波高松电子有限公司	
STATUS:	/	NINGBO DEGSON ELECTRICAL CO., LTD	
APPD:	Lan ChH 2021.05.11	NAME:	DG381-THR-3.5-XXP-1Y-00A(H)
CHKD:	/	DRAWING NO.:	DG381-THR-3.5-C01
DRFT:	Yu JZh 2018.04.28	REV:	TO
REV:	ECN	DESCRIPTION	DRFT DATE
SIZE:	A3	TYPE:	CUSTOMER DRAWING
SCALE:	4:1	SHEET:	1/1

Transfer or duplication of this document as well as the utilization or communication of its contents are prohibited unless explicit authorization is granted. Violations will be liable for compensation. All rights reserved for patent, utility model, or designs registrations. 除非给予明确授权，否则禁止转让、复制、印刷、应用、或在本文件的内容。 未经授权，不得复制或传播。 本公司保留对涉及发明、实用新型和外观设计的所有权利。