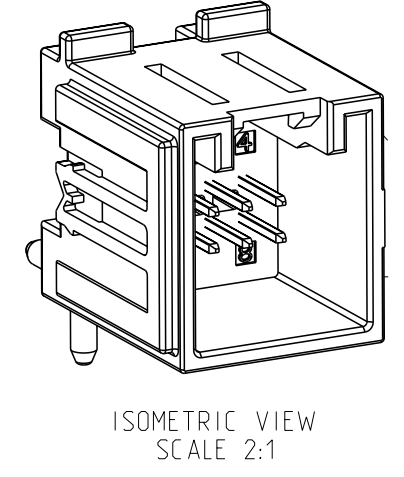
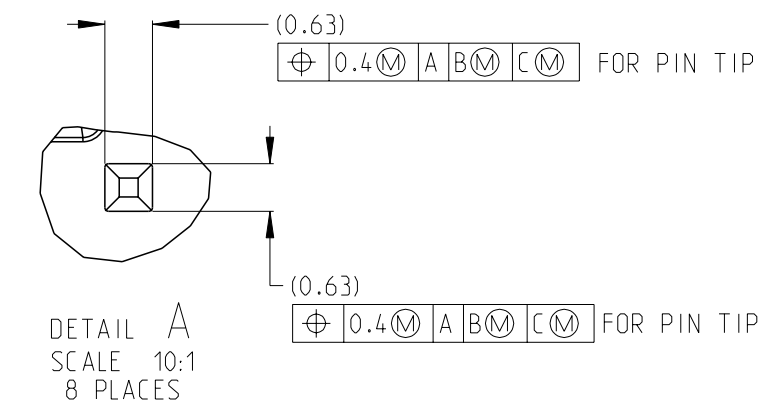
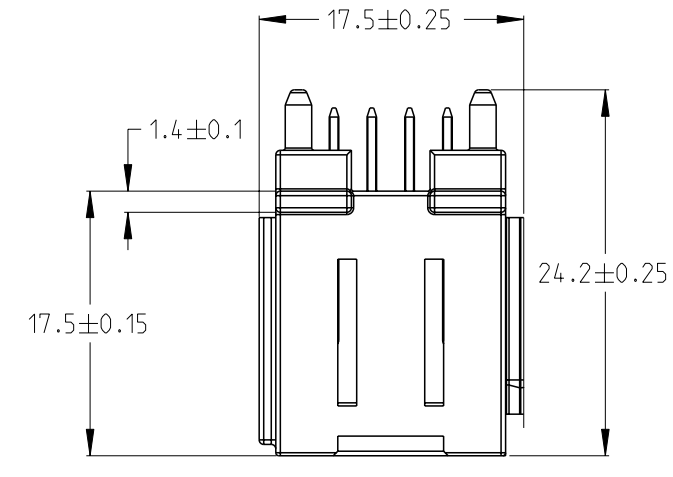
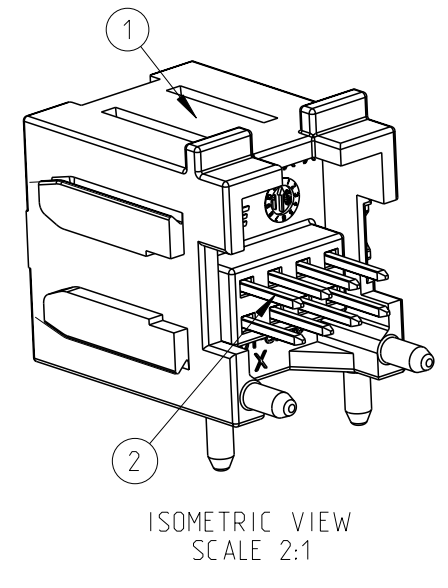
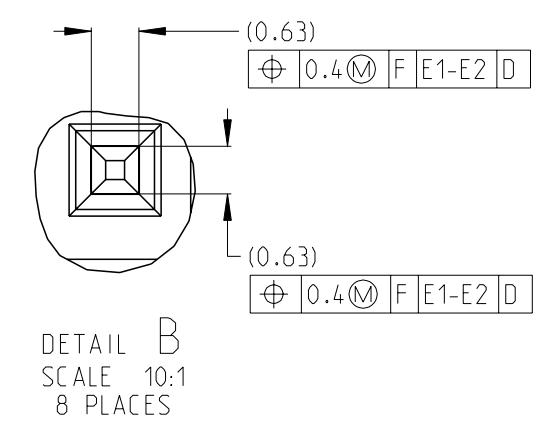
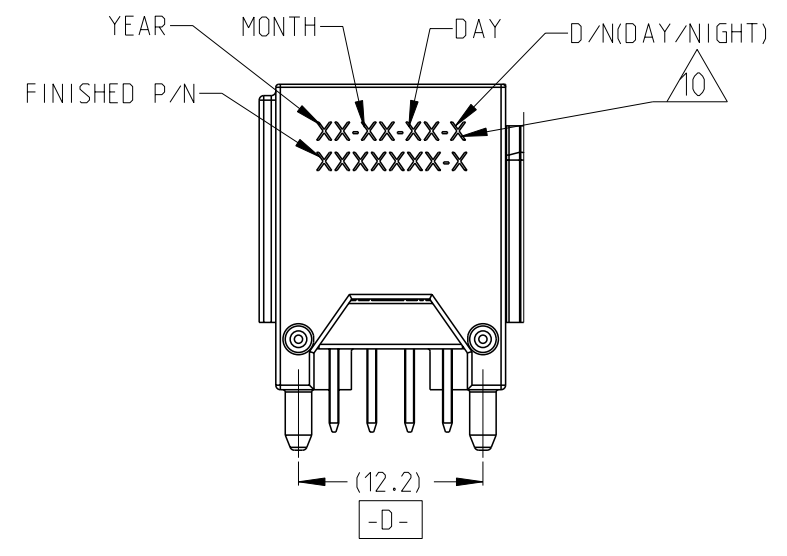
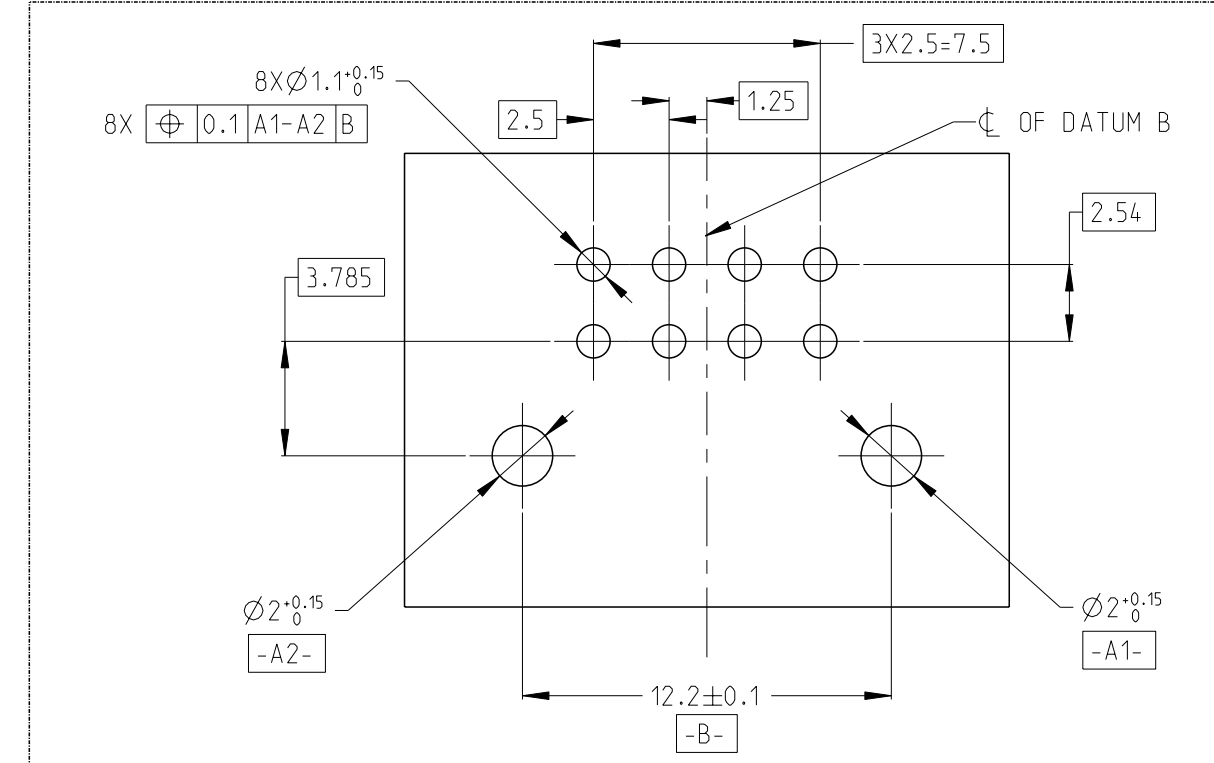
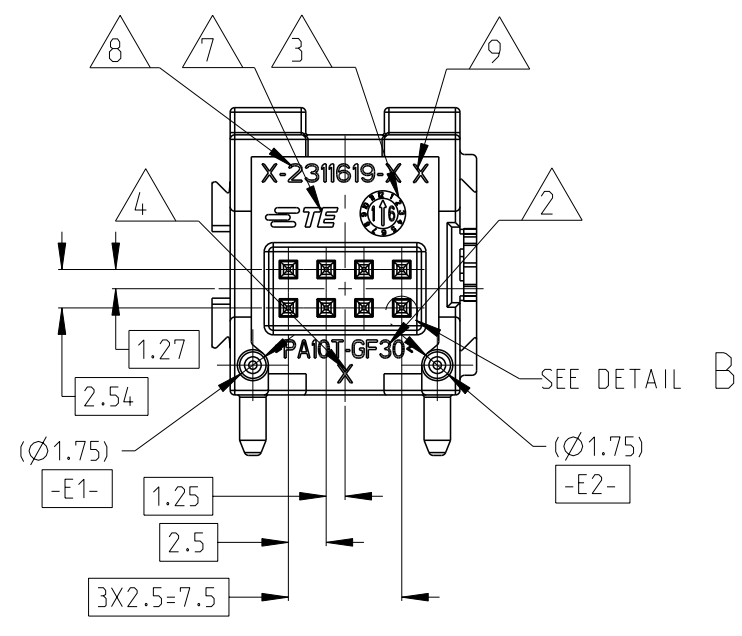
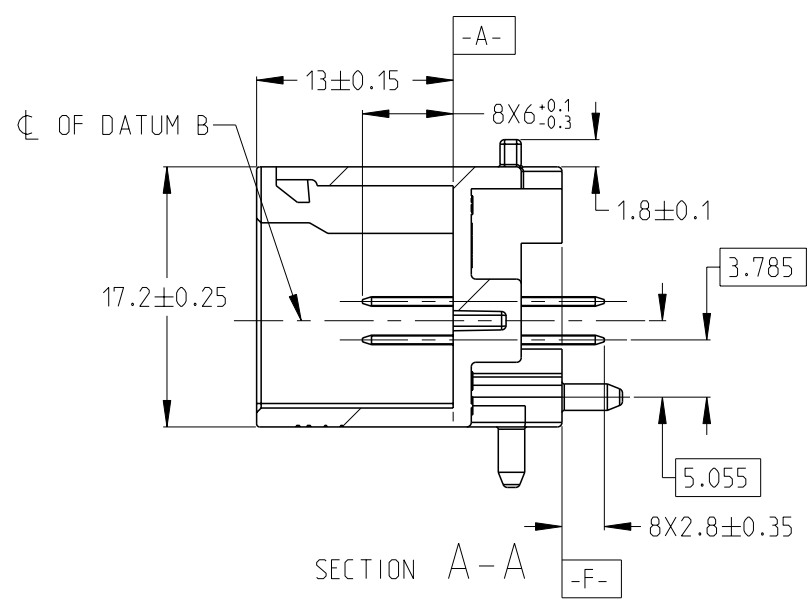
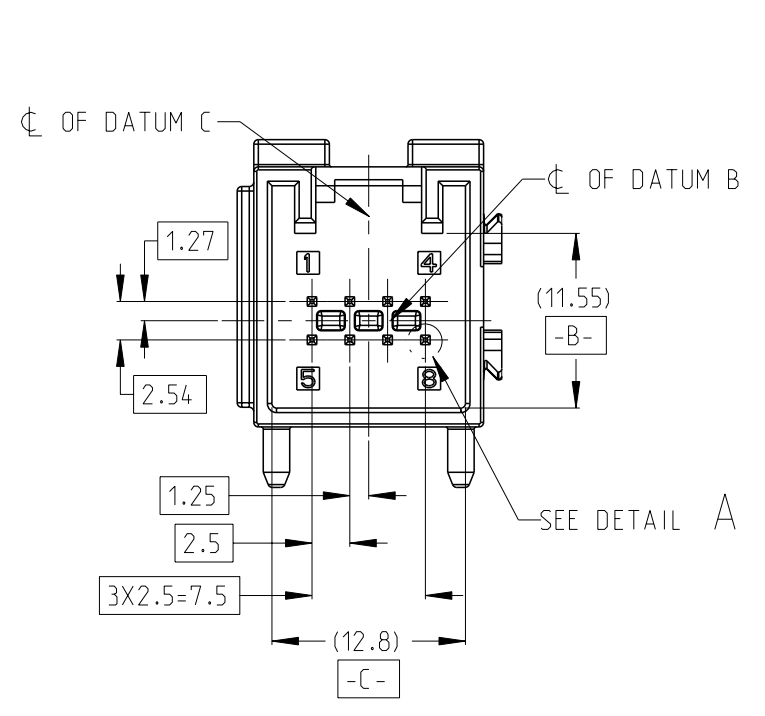


THIS DRAWING IS UNPUBLISHED. RELEASED FOR PUBLICATION 20  
 © COPYRIGHT 20 BY - ALL RIGHTS RESERVED.

REVISIONS					
P	LTR	DESCRIPTION	DATE	DWN	APVD
A2	ECR-18-008704		13JUL18	K.W	W.W
A3	ECR-20-010329		27JUL20	K.W	W.W
A4	ECN-23-192592		05JAN23	Y.Y	J.Z
A5	ECN-23-196290		01FEB23	C.J	J.Z

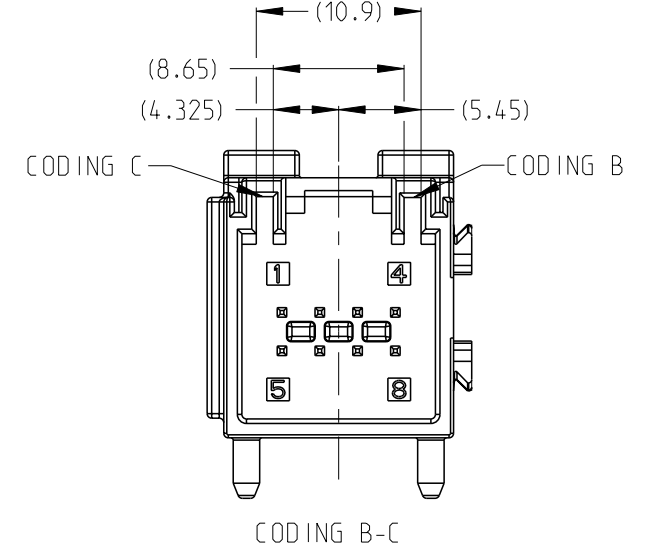
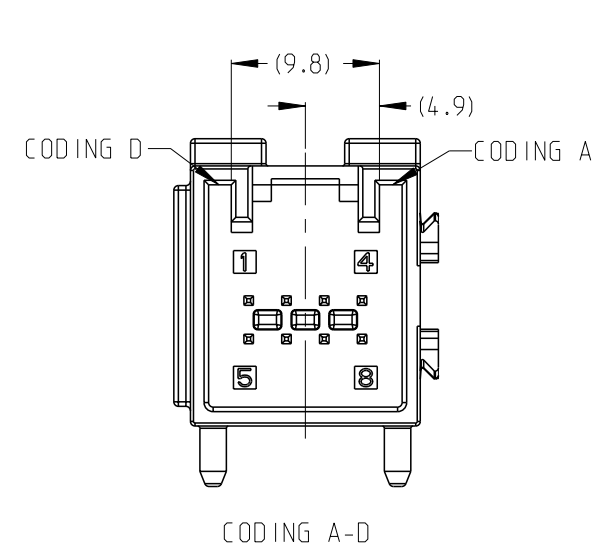


- 1 PLASTIC MATERIAL: PA10T OR SPS  
SQ PIN MATERIAL: CuZn30  
PLATING SPEC: TIN OVER NICKEL
- 2 MATERIAL MARKING
- 3 PLASTIC HOUSING PRODUCTION MONTH CLOCK
- 4 TOOL CAVITY MARKING 1.2.3.4...
- 5. PRODUCT OPERATION TEMPERATURE RANGE:-40°C-105°C
- 6. SUITABLE MATING CONNECTOR: 2322346
- 7 TE-LOGO
- 8 TE SEMIFINISHED PART NUMBER
- 9 TE SEMIFINISHED PART REVISION
- 10 PRODUCT ASSEMBLY DATA INFORMATION



TE P/N	CODING	TRAY	QTY	DESCRIPTION	MATERIAL	COLOR/FINISH	ITEM NO
1-2320179-4	A-D	DIM:330*210*28.3mm	8	0.63 SQ PIN	CuZn30	Sn OVER Ni	2
			1	8 WAY HOUSING	PA10T OR SPS	BLACK	1
1-2320179-3	A-C	DIM:340*210*25.5mm	8	0.63 SQ PIN	CuZn30	Sn OVER Ni	2
			1	8 WAY HOUSING	PA10T OR SPS	GREEN	1
1-2320179-2	B-C	DIM:340*210*29mm	8	0.63 SQ PIN	CuZn30	Sn OVER Ni	2
			1	8 WAY HOUSING	PA10T OR SPS	BROWN	1
1-2320179-1	A-D	DIM:340*210*29mm	8	0.63 SQ PIN	CuZn30	Sn OVER Ni	2
			1	8 WAY HOUSING	PA10T OR SPS	BLACK	1
2320179-4	B-D	DIM:375*275*31mm	8	0.63 SQ PIN	CuZn30	Sn OVER Ni	2
			1	8 WAY HOUSING	PA10T OR SPS	BULE	1
2320179-3	A-C	DIM:375*275*31mm	8	0.63 SQ PIN	CuZn30	Sn OVER Ni	2
			1	8 WAY HOUSING	PA10T OR SPS	GREEN	1
2320179-2	B-C	DIM:375*275*31mm	8	0.63 SQ PIN	CuZn30	Sn OVER Ni	2
			1	8 WAY HOUSING	PA10T OR SPS	BROWN	1
2320179-1	A-D	DIM:375*275*31mm	8	0.63 SQ PIN	CuZn30	Sn OVER Ni	2
			1	8 WAY HOUSING	PA10T OR SPS	BLACK	1

16 WAY CODINGS



THIS DRAWING IS A CONTROLLED DOCUMENT. DWN: K.WEI 12MAY2017  
 CHK: E.JIANG 21JUL2017  
 APVD: J.YIN 26JUL2017

DIMENSIONS: mm TOLERANCES UNLESS OTHERWISE SPECIFIED:  
 0-1 PLC ±0.1  
 1-2 PLC ±0.1  
 3-4 PLC ±0.051  
 4-5 PLC ±0.0001  
 ANGLES FINISH ±

MATERIAL: 1

PRODUCT SPEC: 108-101528  
 APPLICATION SPEC: 114-101065  
 WEIGHT: -

CUSTOMER DRAWING

NAME: 8 WAY MQS PIN HEADER  
 SIZE: A2 CAGE CODE: - DRAWING NO: C-2320179 RESTRICTED TO: -  
 SCALE: 2:1 SHEET: 1 OF 1 REV: A5

TE Connectivity

Printed on 1 Feb 2023 11:13 (China Standard Time) from TE510287