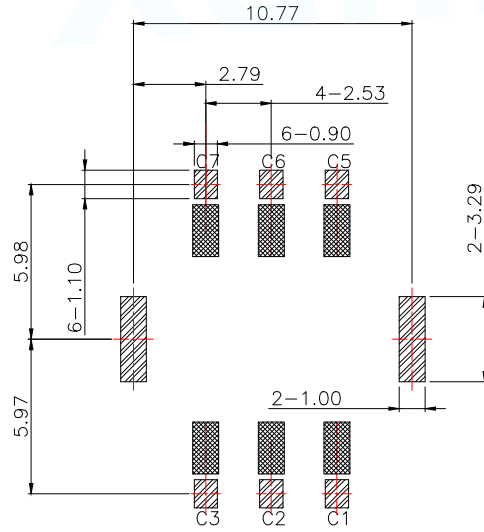
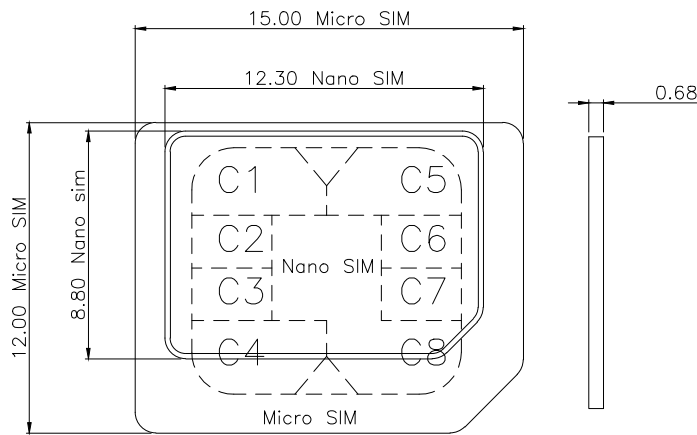
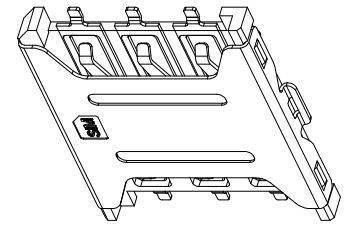


SPECIFICATION
MATERIAL:
 INSULATOR: HIGH TEMPERATURE THERMOPLASTIC,UL 94V-0.
 CONTACT: C5210
 SHELL: SUS
PLATING:
 CONTACT: PLATED 50U" NI OVERALL CONTACT ALL AU 1U
 SHELL: PLATED 50U" NI OVERALL,PAD AU 1U
ELECTRICAL:
 CURRENT RATING: 0.5MA AC/DC MAX
 VOLTAGE RATING: 125V AC/DC
 AMBIENT TEMPERATURE RANGE: -20°C~+60°C
 STORAGE TEMPERATURE RANGE: -40°C~+70°C
 AMBIENT HUMIDITY RANGE: 95% R.H. MAX.
 CONTACT RESISTANCE: 100MΩMAX.
 INSULATION RESISTANCE: 1000MΩMIN./500VDC
 REFLOW PEAK TEMP: 260°C ±5°C, 3~5 S
 MATING CYCLES: 3,000 INSERTIONS MIN



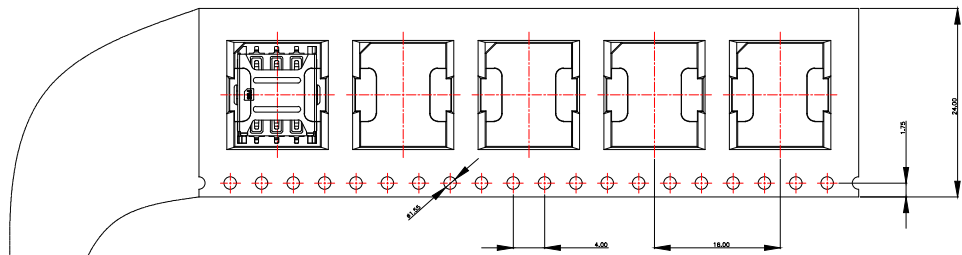
NANO SIM CARD	
Pin No.	NAME
C1	VCC OF SIM
C2	RST OF SIM
C3	CLK OF SIM
C5	GND OF SIM
C6	VPP OF SIM
C7	I/O OF SIM
C4/C8	N/A



PAD AREA
 KEEP OUT AREA
RECOMMENDED PCB LAYOUT
GENERAL TOLERANCE ±0.05

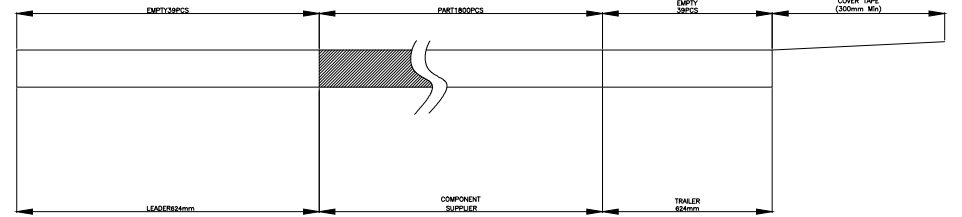
MANUFACTURE DWG		东莞市讯普电子科技有限公司 DongGuan XunPu Electronics Co.,Ltd	
UNLESS OTHERWISE SPECIFIED TOLERANCES		TITLE:NANO SIM CARD PUSH PULL 6PIN H1.35无桩 PAR SMN-304-ARP6 DWN CHKD APVD	
DECIMALS:	ANGLES:		SCALE1:1 UNIT:MM
X.:±0.50	X':±2'		SIZE:A4
X.X:±0.30	X.X':±1'		SHEET:1F1
X.XX:±0.20	X.XX':±0.5'		REV:A
CUSTOMER COPY			

User Direction of Unreeling



NOTES

1. NUMBER OF CONNECTORS:1800PCS/REEL
2. LEAD TAPE LENGTH

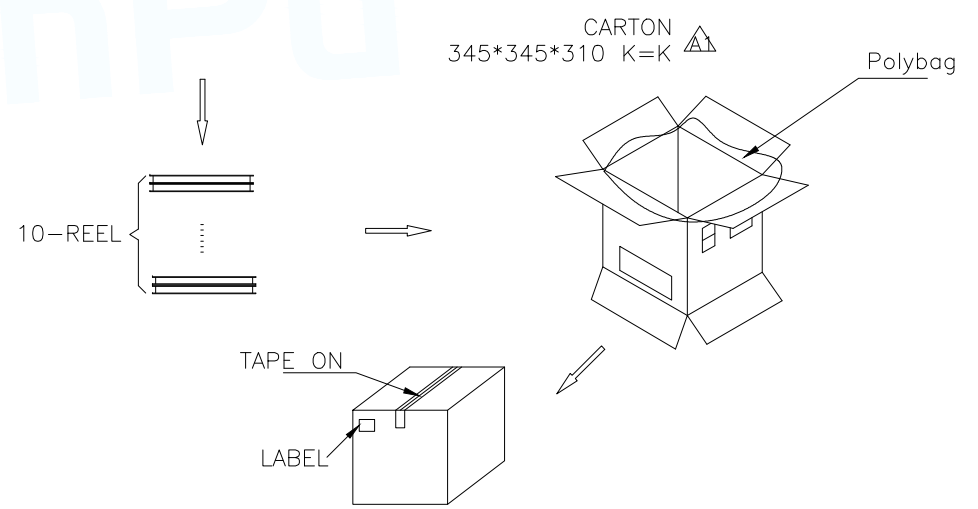
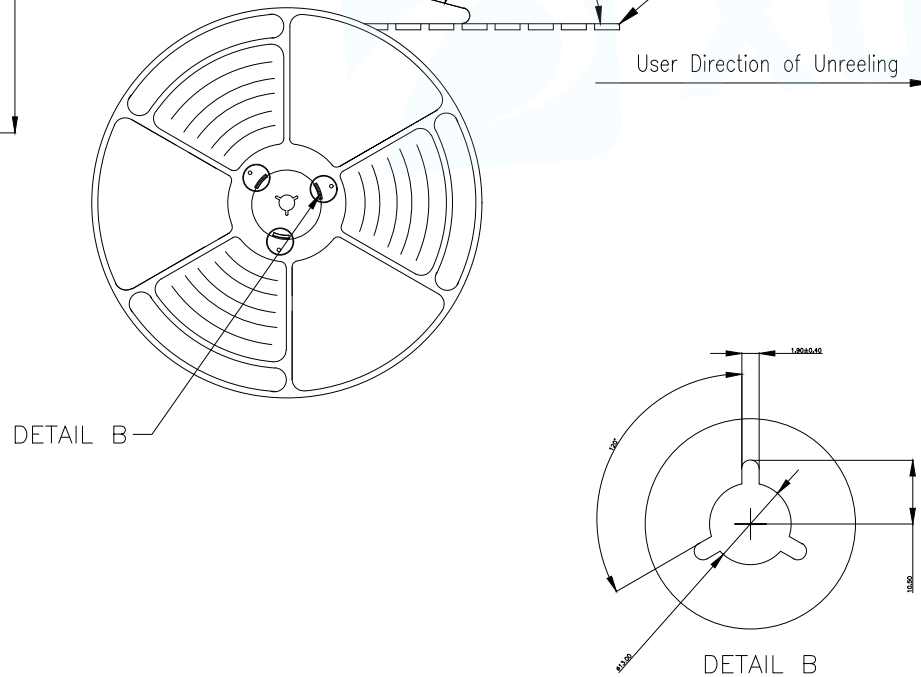


3. QUANTITY:18000PCS/CARTON

COVER TAPE PEELING ANGLE:165°~180°
PEELING FORCE:20~130g

CARRIER TAPE

User Direction of Unreeling



MANUFACTURE DWG		东莞市讯普电子科技有限公司 DongGuan XunPu Electronics Co.,Ltd	
UNLESS OTHERWISE SPECIFIED TOLERANCES			TITLE:NANO SIM CARD PUSH PULL 6PIN H1.35无柱 包装图
DECIMALS:	ANGLES:		PAR SMN-304-ARP6
X.:±0.50	X.':±2°		DWN
X.X:±0.30	X.X':±1°		CHKD
X.XX:±0.20	X.XX':±0.5°	APVD	SCALE 1:1 UNIT:MM
CUSTOMER COPY		SIZE:A4	SHEET:1F1
			REV:A