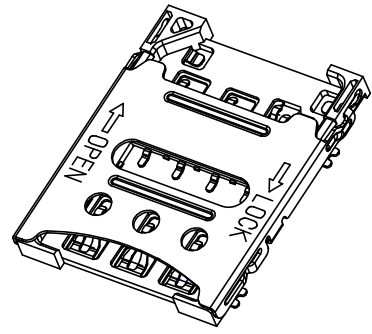
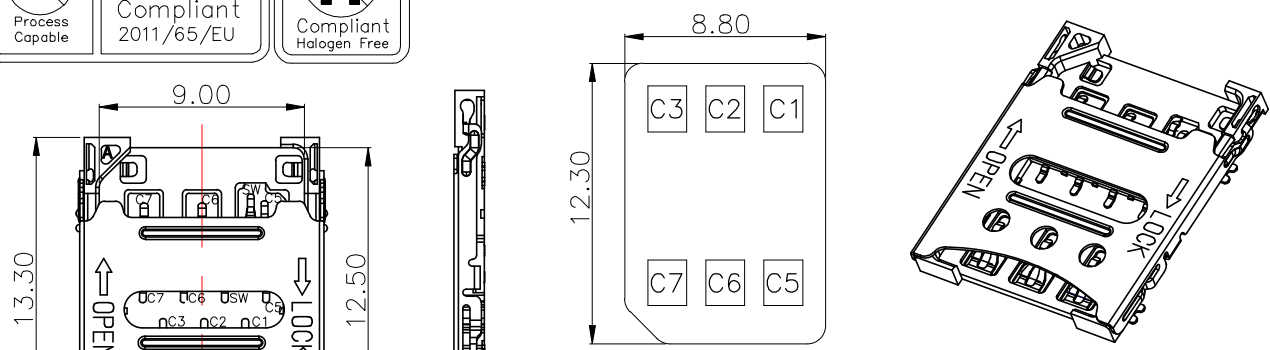
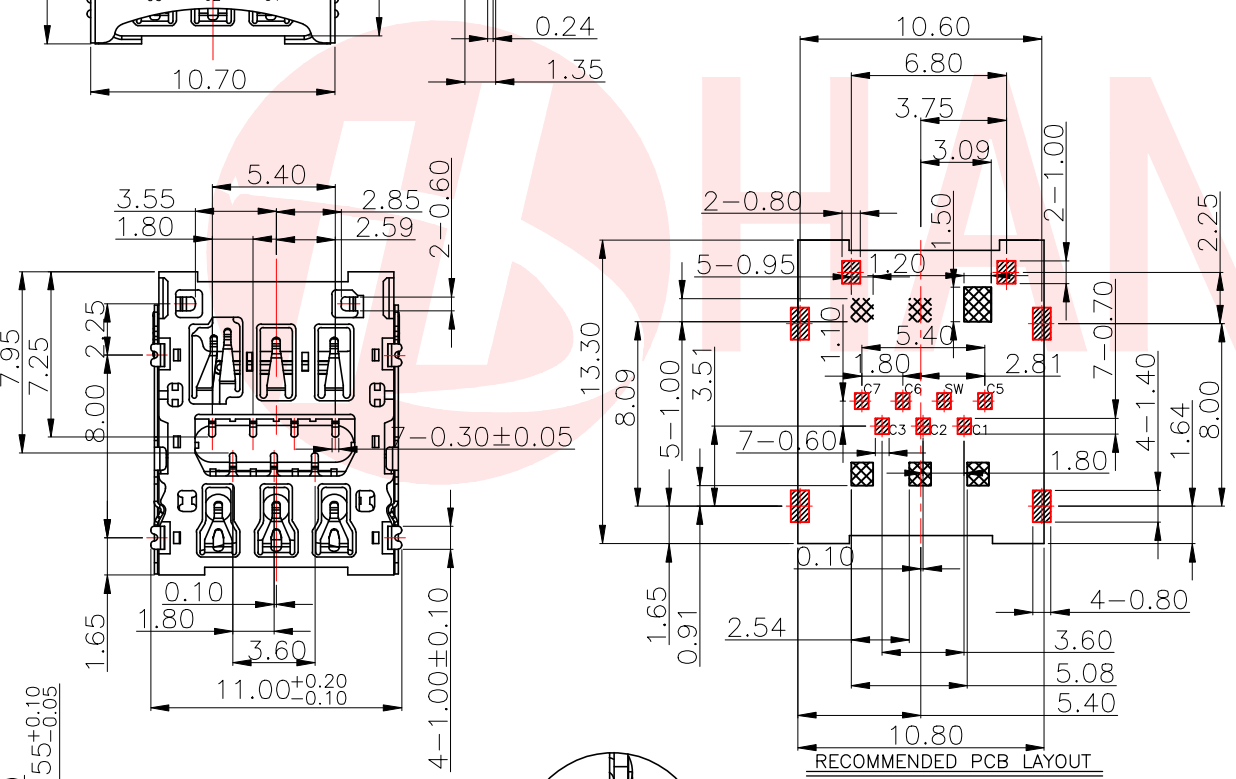




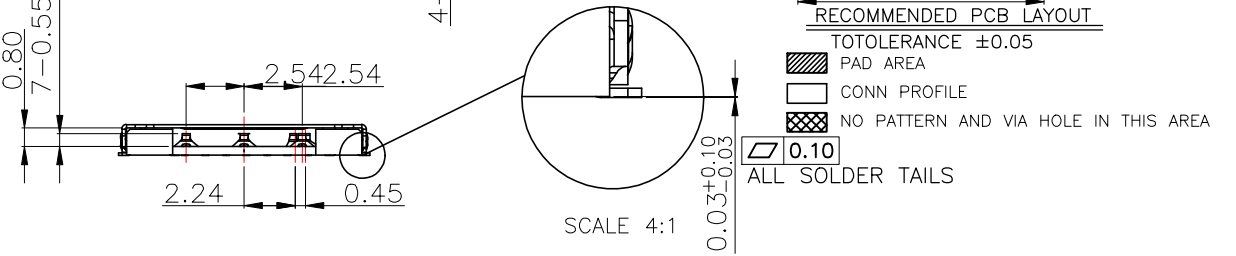
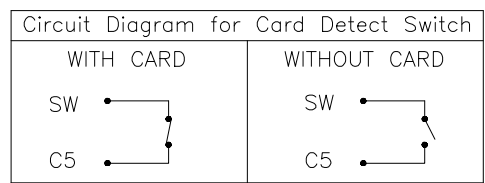
5	6
REV.	ECN NO OR DESCRIPTION
REVISED	DATE



- NOTES:**
- MATERIAL:**
    - Housing: High Temperature Thermoplastic; UL94V-0; Color Black.
    - Terminal: Copper Alloy, T=0.10mm.
    - Shell: Stainless Steel, T=0.15mm.
  - FINISH:**
    - Terminal: Plated Gold on the Contact Area and Solder Tails
    - Peg: Plated Gold on the Solder Tails.
  - SPECIALITY:**
    - Rated current: 1.0A
    - Rated voltage: 50V
    - Contact Resistance: 50mΩ MAX
    - Insulation Resistance: 100MΩ MIN 100V DC
    - Dielectric withstanding voltage: 100V AC.
    - Durability Cycles: 2000 Cycles.
    - Solder ability: 245±5°C, 5±0.5s.
    - Operating condition: Temperature: -40°C +85°C



PIN NO	PIN NAME
C1	VCC
C2	RST
C3	CLK
C5	GND
C6	VPP
C7	I/O
SW	Switch Pin



- RECOMMENDED PCB LAYOUT**
- TOLERANCE ±0.05
  - PAD AREA
  - CONN PROFILE
  - NO PATTERN AND VIA HOLE IN THIS AREA
  - 0.10
  - ALL SOLDER TAILS

UNLESS OTHERWISE SPECIFIED TOLERANCES		东莞市汉博电子科技有限公司 DONGGUAN HANBO TECHNOLOGY CO., LTD			
DECIMALS:	ANGLES:	TITLE 135微型 NANO SIM CARD WITH SWITCH PIN (无LOGO)			
X :±0.25	X :±2°	DWN	xiong	PART NO. SNO-1300	
X.X :±0.20	X.X :±1°	CHKD	lee	SCALE: 1:1	UNIT: mm
X.XX :±0.10		APVD	wang	SIZE: A4	SHEET: 10F 1
REV: A4					
CUSTOMER COPY					