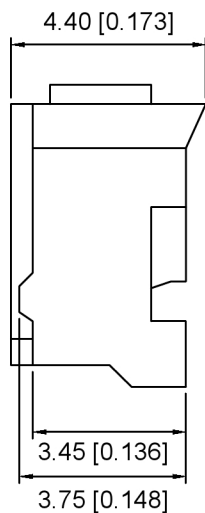
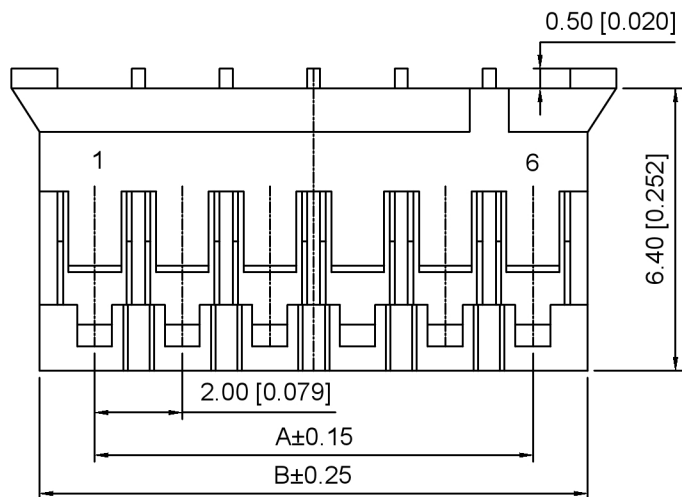


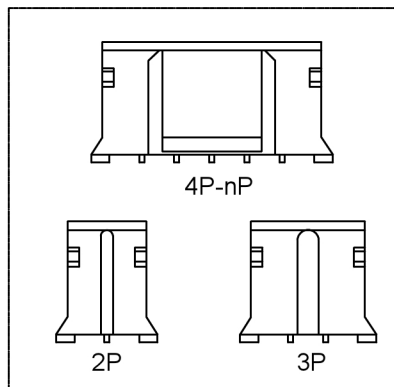
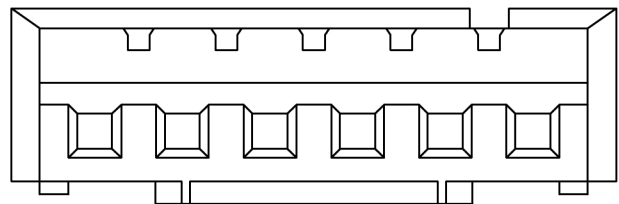
Specifications:  
 Voltage rating:250V AC/DC  
 Current rating:2A AC/DC  
 Withstanding voltage:800V AC/minute  
 Temperature range:-40°C-+85°C  
 Insulation resistance:≥1000MΩ  
 Contact resistance:≤20mΩ



X2016 H M - XX - N0  
 ① ② ③ ④ ⑤

- 1.Series No
- 2.Category:H-Housing
- 3.M-Male
- 4.Row No.Pin No:XX-02~16P
- 5.Material:N0-PA66 UL 94V-0

POLES	A	B	C
2	2.00	4.60	5.80
3	4.00	6.60	7.80
4	6.00	8.60	9.80
5	8.00	10.60	11.80
6	10.00	12.60	13.80
7	12.00	14.60	15.80
8	14.00	16.60	17.80
9	16.00	18.60	19.80
10	18.00	20.60	21.80
11	20.00	22.60	23.80
12	22.00	24.60	25.80
13	24.00	26.60	27.80
14	26.00	28.60	29.80
15	28.00	30.60	31.80
16	30.00	32.60	33.80



X2016HM-XX-N0	PA66 UL 94V-0	X2016TF	X2016W X2016HF
PARY NO	Matrial	Suitable XKB Terminal	Suitable XKB Wafer or Housing

DSND	SCALE: N/A	MODEL TYPE: 2.0mm Crimp Style Connectors
DWN	VIEW:	PART NO.: X2016HM-XX-N0
CHKD	UNIT: mm/in	DWG NO.: X-X2016HM-XX-N0
APPD	SIZE: A4	WEIGHT
		SHEET
		REVISION
		1/1
		A0



XKB INDUSTRIAL PRECISION CO.,LIMITED

MARK	DESCRIPTION	DATE	REVISED	APPROVED	UNSPECIFIED TOLERANCES
ΔX					ANGLAR ±5°
ΔX					L ≤ 4 ±0.2
ΔX					4 < L ≤ 16 ±0.3
					16 < L ≤ 63 ±0.4
					L > 63 ±0.5
REVISIONS					
www.helloxkb.com www.helloxkb.cn www.xk-dg.cn					