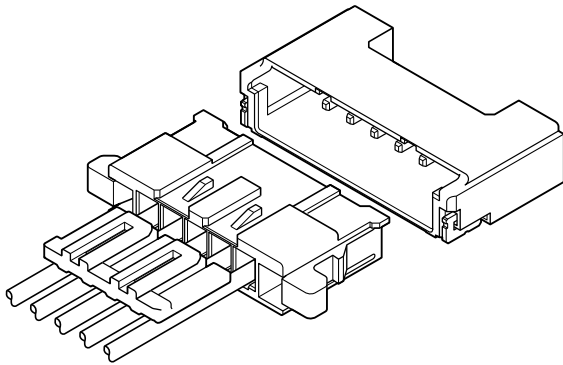


# XAG CONNECTOR

2.5 mm pitch/Disconnectable Crimp style connectors



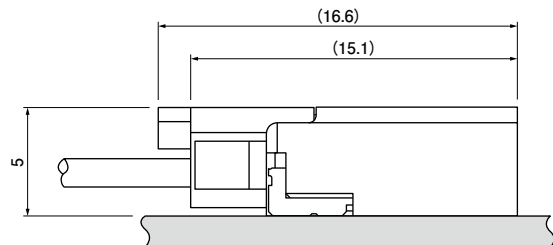
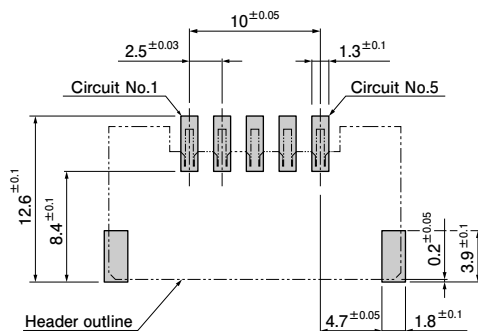
This is a 2.5 mm pitch, crimp style, wire-to-board connector.

- Secure locking device
- Low profile
- Retainer mountable type

## Specifications

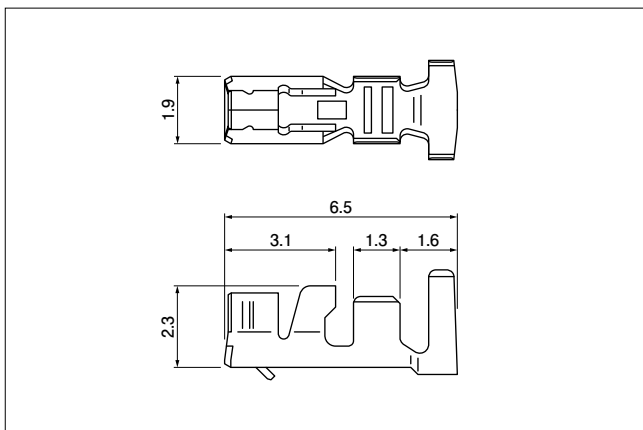
- Current rating: 3 A AC/DC (AWG #20)
  - Voltage rating: 250 V AC/DC
  - Temperature range: -25°C to +85°C  
(including temperature rise in applying electrical current)
  - Contact resistance: Initial value/10 mΩ max.  
After environmental tests/20 mΩ max.
  - Insulation resistance: 1,000 MΩ min.
  - Withstanding voltage: 1,000 VAC/minute
  - Applicable wire: AWG #24 to #20
- \* In using the products, refer to "Handling Precautions for Terminals and Connectors" described on our website (Technical documents of Product information page).
- \* RoHS2 compliance
- \* Dimensional unit: mm
- \* Contact JST for details.

## PC board layout and Assembly layout



- Note: 1. The above figure is the figure viewed from the connector mounting side.  
 2. Tolerances are non-cumulative: ± 0.05 mm for all centers.  
 3. The dimensions above should serve as a guideline. Contact JST for details.

## Contact



Model No.	Applicable wire		Insulation O.D. (mm)	Q'ty/reel
	mm <sup>2</sup>	AWG#		
SXA-01T-P0.6	0.22 to 0.5	24 to 20	1.5 to 1.9	8,000

### Material and Finish

Phosphor bronze, tin-plated (reflow treatment)

### RoHS2 compliance

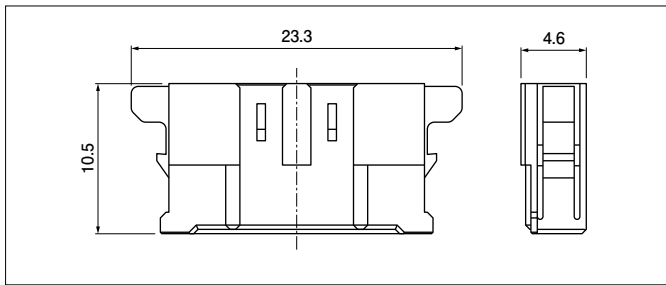
Note: Contact JST for gold-plated products.

Contact	Crimping machine	Applicator		
		Crimp applicator	Dies	Crimp applicator with dies
SXA-01T-P0.6	AP-K2N	MKS-L	MK/SXA/M-01-06	APLMK SXA/M01-06

Note: Contact JST for fully automatic crimping applicator.

# XAG CONNECTOR

## Housing

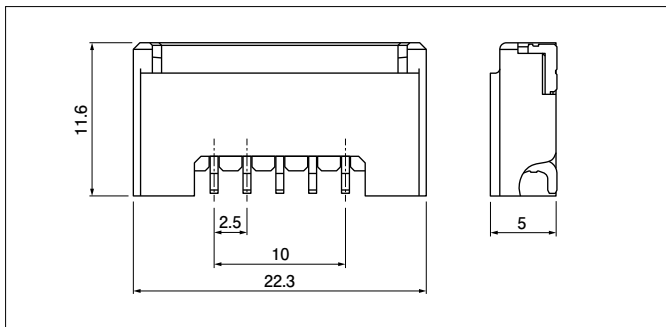


No. of circuits	Model No.	Q'ty/bag
5	XAGRP-051-K	2,000

**Material and Finish**  
PBT, UL94V-0, black

RoHS2 compliance

## Header



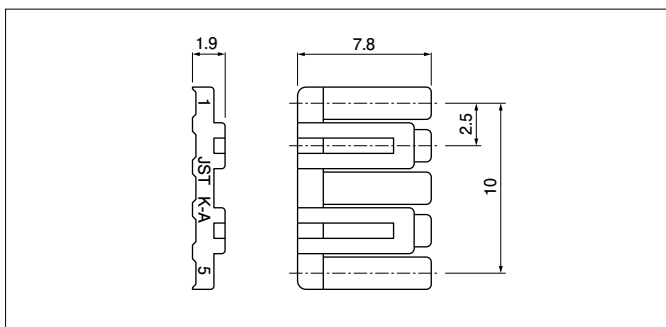
No. of circuits	Model No.	Q'ty/reel
5	SM05B-XAGKS-BN-TB	1,000

**Material and Finish**

Pin: Copper alloy, copper-undercoated, tin-plated (reflow treatment)  
Wafer: PA 6T, UL94V-0, black  
Reinforcing tab: Copper alloy, copper-undercoated, tin-plated (reflow treatment)

RoHS2 compliance This product displays (LF)(SN) on a label.  
This products listed above are supplied on embossed-tape.

## Retainer



No. of circuits	Model No.	Q'ty/bag
5	XAGS-053-K	5,000

**Material and Finish**

PA 66, UL94V-0, black

RoHS2 compliance

## Model number allocation

### Contact

S XA - 01 T - P 0.6	
Form: S···Strip form, B···Loose piece	
Series name	
Applicable wire range: 01···AWG #24 to #20	
Surface finish: T···Tin-plated (reflow treatment)	
Material: P···Phosphor bronze	
Terminal size	

### Housing

XAG RP - 05 1 - K	
Series name	
Part name: Plug (Retainer mountable type)	
No. of circuits: 5	
Material: PBT	
Color: K···Black	

### Header

SM 05 B - XAG KS - BN - TB	
Shape of assembled product: SM···SMT Side entry type	
No. of circuits: 5	
Part name: Header	
Series name	
Color: K···Black	
Indication of clinch: S···Straight pin	
Shape: BN···Without boss	
Packaging style: TB···Embossed-taping	

### Retainer

XAG S - 05 3 K	
Series name	
Part name: Retainer	
No. of circuits: 5	
Material: PA 66	
Color: K···Black	