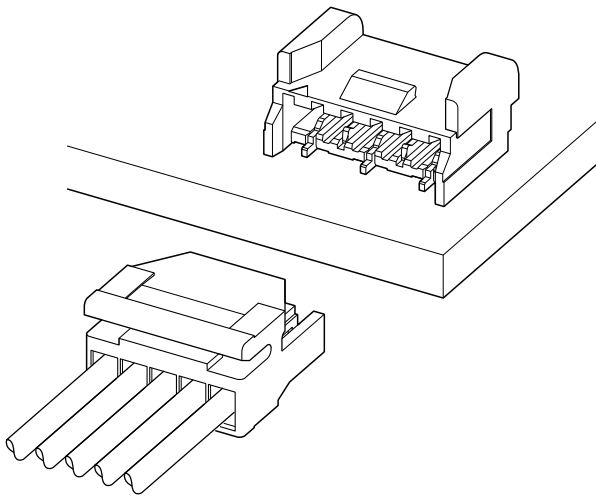


SFG CONNECTOR



1.1mm pitch/Disconnectable Crimp style connectors



This SFG connector is a wire-to-board connector compatible with small space. It is used for power supply of LED backlight in Liquid Crystal Display Television set.

- Withstand high voltage
- Secure locking structure
- Halogen-free

Specifications

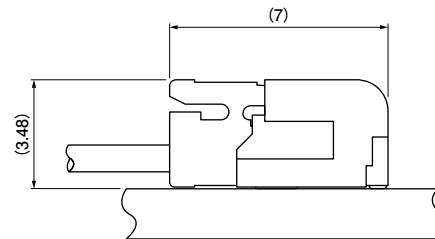
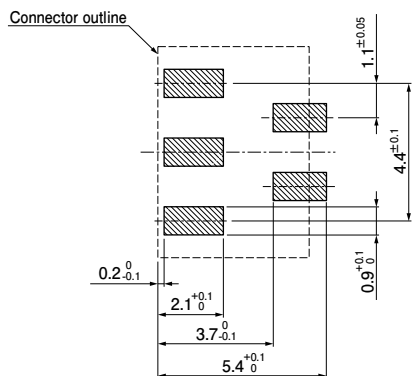
- Current rating: 1.0 A AC, DC (AWG #28)
- Voltage rating: 200 V AC, DC
- Temperature range: -25°C to +85°C
(including temperature rise in applying electrical current)
- Contact resistance: Initial value/ 20 mΩ max.
After environmental tests/ 40 mΩ max.
- Insulation resistance: 100 MΩ min.
- Withstanding voltage: 600 VAC/minute
- Applicable wire: Conductor size/ AWG #30 to #28
Insulation O.D./ 0.72 to 0.9 mm

- * Refer to "General Instruction and Notice when using Terminals and Connectors" at the end of this catalog.
- * Contact JST for details.
- * Compliant with RoHS.

Standards

Recognized E60389

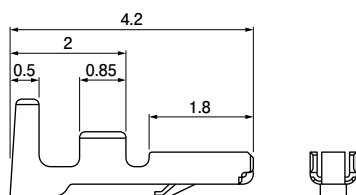
PC board layout and Assembly layout



Note: 1. The above figure is the figure viewed from the connector mounting side.

2. Tolerances are non-cumulative: ± 0.05 mm for all centers. The dimensions above should serve as a guideline. Contact JST for details.

Contact



Model No.	Applicable wire		Insulation O.D. (mm)	Q'ty/reel
	mm ²	AWG#		
SSFG-003T-P0.2	0.05 to 0.08	30 to 28	0.72 to 0.9	25,000

Material and Finish

Phosphor bronze, tin-plated (reflow treatment)

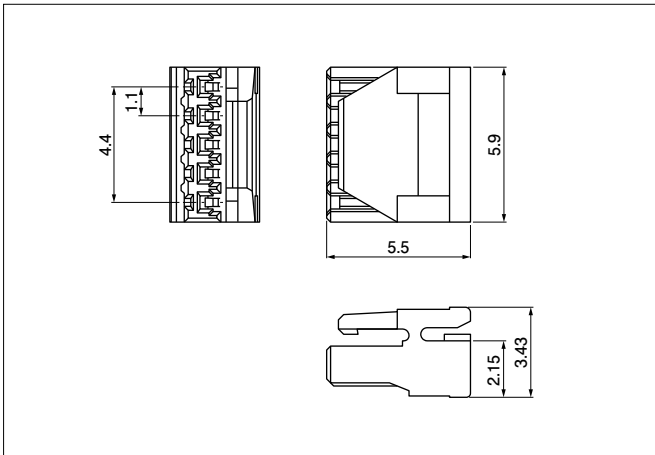
RoHS compliance

Contact	Crimping machine	Applicator		
		Crimp applicator	Dies	Crimp applicator with dies
SSFG-003T-P0.2	AP-K2N	MKS-L-10-3	MK/SSFG-003-02	APLMK SSFG003-02
		—	—	—

Note: Contact JST for fully automatic crimping applicator.

SFG CONNECTOR

Housing

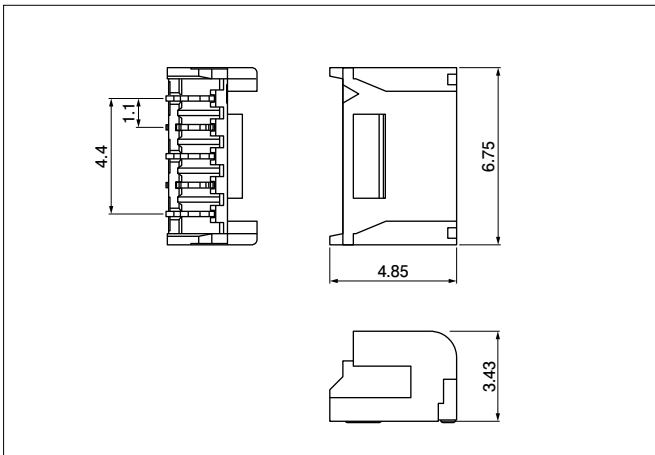


No. of circuits	Model No.	Q'ty/bag
5	SFGR-05V-S	1,000

Material		
PA 66, UL94V-0, natural (white)		

RoHS compliance

Header



No. of circuits	Model No.	Q'ty/reel
5	SM05B-SFGH-TF (HF)	3,000

Material and Finish		
Contact A, B: Phosphor bronze, copper-undercoated, tin-plated (reflow treatment)		
Base housing: Modified PA 6T, UL94V-0, gray		

RoHS compliance

Note: The product listed above is supplied on embossed-tape.

SFG CONNECTOR

Model number allocation

Contact

S SFG -003T - P 0.2

Form: S··Strip form	S	SFG	-003T	-P	0.2
Series name					
Applicable wire range: 003··AWG #30 to #28					
Surface finish: T··Tin-plated					
Material: P··Phosphor bronze					
Terminal size					

Housing

SFG R -05 V -S

Series name	SFG	R	-05	V	-S
Part name: Receptacle					
No. of circuits: 5					
Flammability: V··UL94V-0					
Color: S··Natural (White)					

Header

SM 05 B -SFG H -TF (HF)

Shape of assembled product: SM··SMT side entry type	SM	05	B	-SFG	H	-TF (HF)
No. of circuits: 5						
Part name: Header						
Series name						
Color: H··Gray						
Packaging style: TF··Embossed-taping						
Indication of halogen-free: (HF)··Halogen-free						