

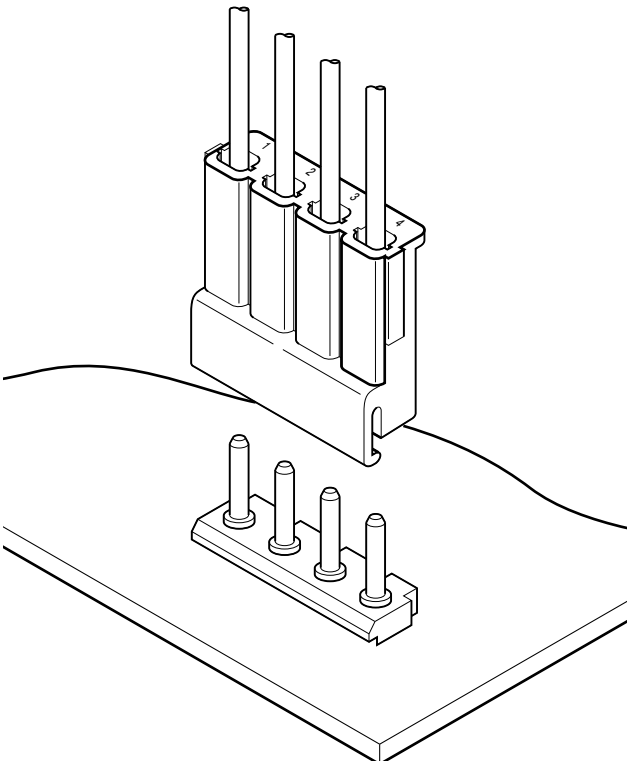
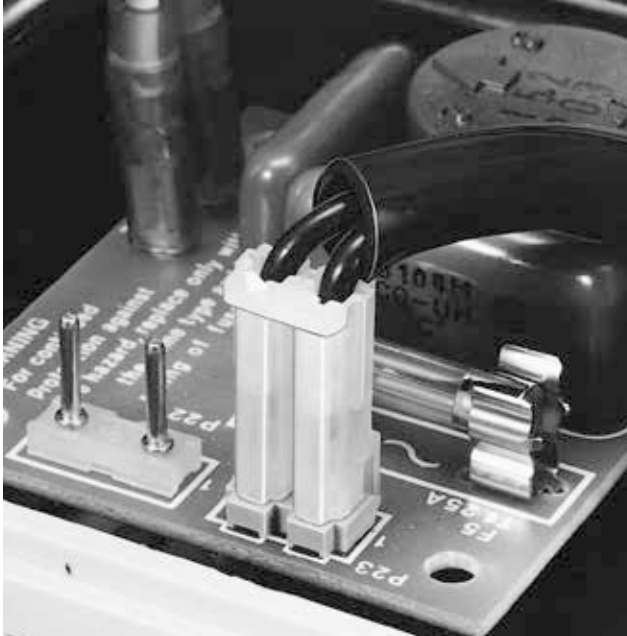
JST

Crimp

5.0mm
pitch

SV CONNECTOR

Disconnectable Crimp style connectors



Features

• Anti-misinsertion feature

The directional features of the housing prevent reverse contact insertion.

• Locking mechanism

The housings with two or four circuits have locking mechanisms. This feature also provides polarization so that the housing cannot be mismatched with the header.

Specifications

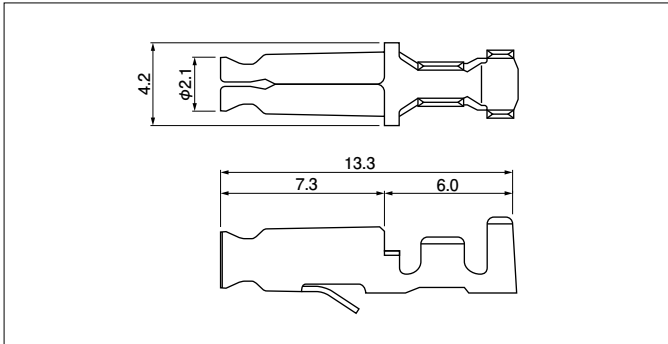
- Current rating: 5A AC, DC (AWG #20)
- Voltage rating: 250V AC, DC
- Temperature range: -25°C to +85°C
(including temperature rise in applying electrical current)
- Contact resistance: Initial value/10mΩ max.
After environmental testing/15mΩ max.
- Insulation resistance: 1,000MΩ min.
- Withstanding voltage: 1,500V AC/minute
- Applicable wire: AWG #24 to #20
- Applicable PC board thickness: 1.6mm
- * Compliant with RoHS.
- * Refer to "General Instruction and Notice when using Terminals and Connectors" at the end of this catalog.
- * Contact JST for details.

Standards

- Ⓜ Recognized E60389
- Ⓢ Certified LR20812
- ⚠ R75171

SV CONNECTOR

Contact



Model No.	Applicable wire			Q'ty / reel
	mm ²	AWG #	Insulation O.D. (mm)	
SVF-01T-1.5N	0.2 to 0.5	24 to 20	1.5 to 2.5	4,000

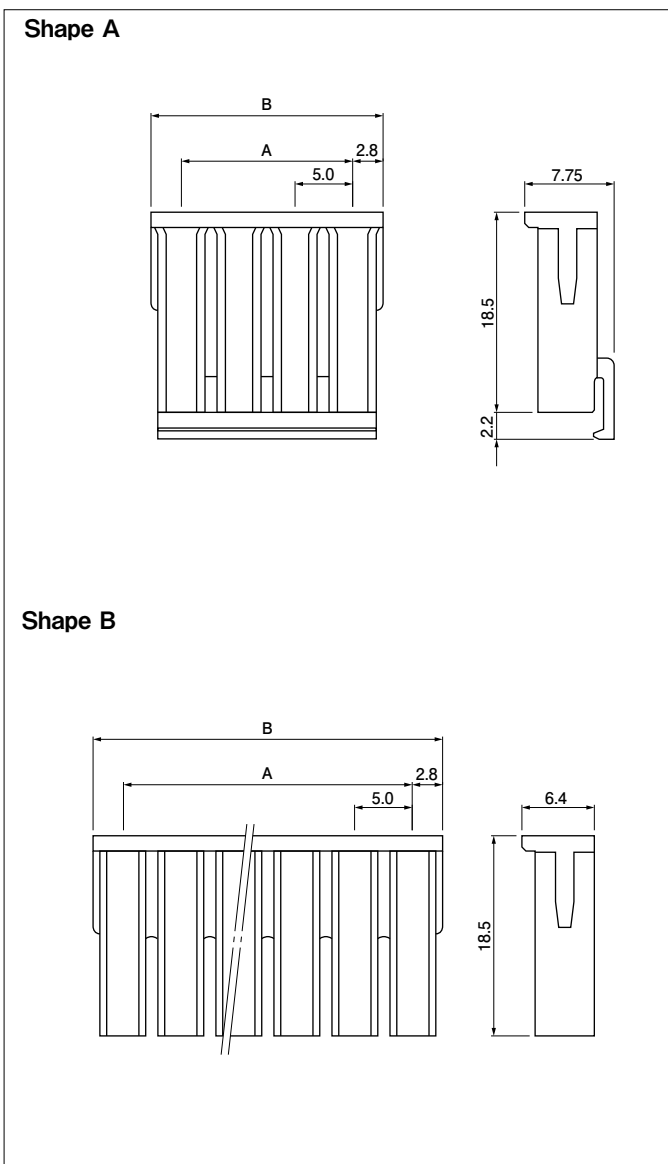
Material and Finish

Brass, tin-plated (reflow treatment)

RoHS compliance

Note: Contact JST for details if you require shielded wires, thin wires or other special wires, or if two wires must be crimped in one contact.

Housing



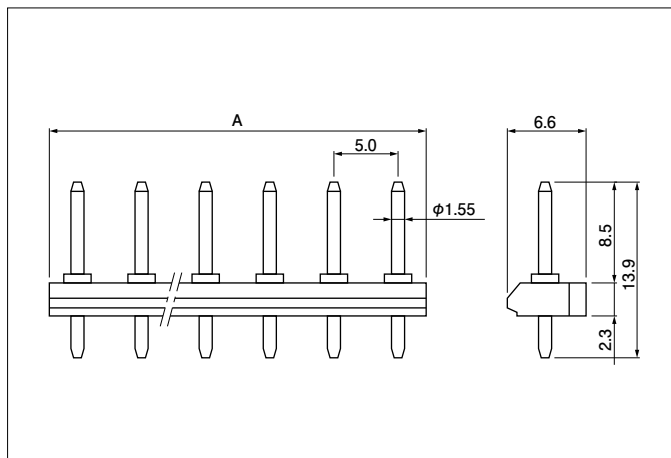
No. of circuits	Model No.	Shape	Dimensions (mm)		Q'ty / bag
			A	B	
2	S2P-SVF	A	5.0	10.6	1,000
4	S4P-SVF	A	15.0	20.6	500
6	S6P-SVF	B	25.0	30.6	500
8	S8P-SVF	B	35.0	40.6	200
10	S10P-SVF	B	45.0	50.6	200

Material

PA 6, UL94V-2, natural (white)

RoHS compliance

Header



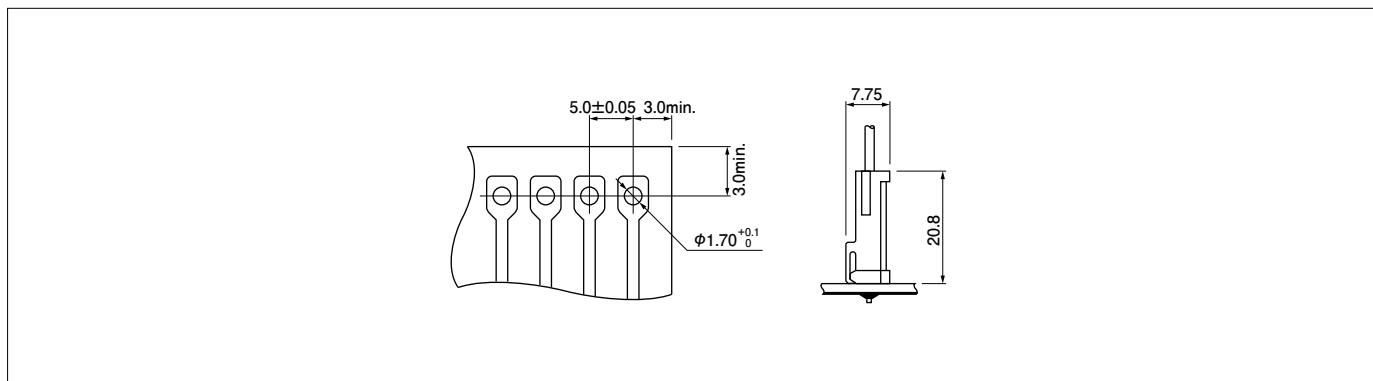
No. of circuits	Model No.	Dimension A (mm)	Q'ty / box
2	RTB-1.5-02F	10.0	1,000
4	RTB-1.5-04F	20.0	500
6	RTB-1.5-06F	30.0	250
8	RTB-1.5-08F	40.0	200
10	RTB-1.5-10F	50.0	100

Material and Finish

Post: Brass, nickel-undercoated, tin/copper alloy-plated
 Wafer: Glass filled PA 66, UL94V-0, natural (ivory)

RoHS compliance This product displays (LF) on a label.

PC board layout (viewed from soldering side) and Assembly layout



Note:

1. Tolerances are non-cumulative: $\pm 0.05\text{mm}$ for all centers.
2. Hole dimensions differ according to the type of PC board and piercing method. The dimensions above should serve as a guideline. Contact JST for details.

SV CONNECTOR

Model number allocation

Contact

SVF - 01 T - 1.5N

Form: S...Strip form, L...Loose piece

Series name

Shape: F...Socket contact

Applicable wire range: AWG #24 to #20

Surface finish: T...Tin-plated (reflow treatment)

Terminal size

Supplementary symbol

Housing

S2P - SVF

No. of circuits: 2, 4, 6, 8, 10

Part name: Plug

Series name

Header

RTB - 1.5 - 02F

Series name

Post diameter: 1.55 mm

No. of circuits: 2, 4, 6, 8, 10

Supplementary symbol

Crimping machine, Applicator

Contact	Crimping machine	Applicator		
		Crimp applicator	Dies	Crimp applicator with dies
SVF-01T-1.5N	AP-K2N	MKS-L	MK/SVF-01-15N	APLMK SVF01-15N

Note: Contact JST for fully automatic crimping applicator.