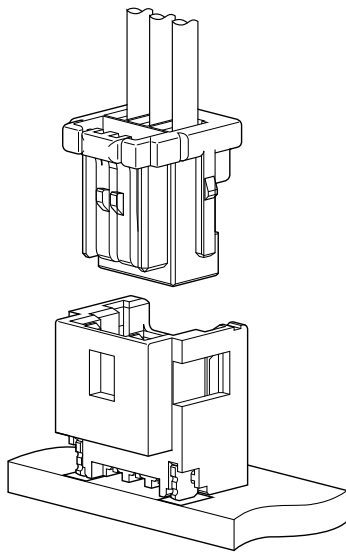


AP5H CONNECTOR



1.0 mm pitch/Disconnectable Crimp style connectors



While realizing the space saving, this is the connector having the secure lock structure. By this, it is prevented the housing coming off by handling the wires or adding the vibration. This connector is very small, and it is possible to suppress the inverted insertion and achieves a clear insertion feeling.

- Space saving design
- Secure locking structure
- Mechanism for preventing the inverted insertion

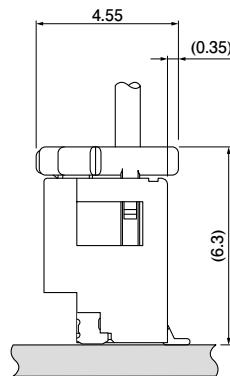
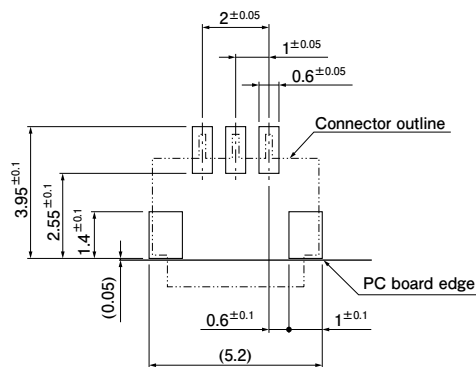
Specifications

- Current rating: 1.0 A AC/DC (AWG #28)
- Voltage rating: 50 V AC/DC
- Temperature range: -25°C to +85°C
(including temperature rise in applying electrical current)
- Contact resistance: Initial value/ 20 mΩ max.
After environmental tests/ 40 mΩ max.
- Insulation resistance: 100 MΩ min.
- Withstanding voltage: 500 VAC/minute
- Applicable wire: Conductor size/ AWG #32 to #28
Insulation O.D./ 0.4 to 0.8 mm

* In using the products, refer to "Handling Precautions for Terminals and Connectors" described on our website (Technical documents of Product information page).

- * RoHS2 compliance
- * Dimensional unit: mm
- * Contact JST for details.

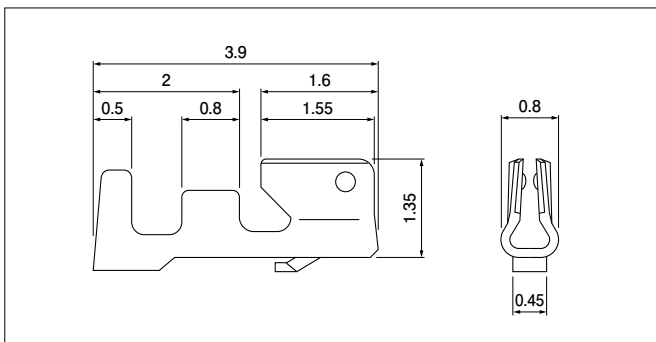
PC board layout and Assembly layout



Note: 1. The above figure is the figure viewed from the connector mounting side.

2. Tolerances are non-cumulative: ± 0.05 mm for all centers. The dimensions above should serve as a guideline. Contact JST for details.

Contact



| Model No. | Applicable wire | | Insulation O.D. (mm) | Q'ty/reel |
|-----------------|-----------------|----------|----------------------|-----------|
| | mm ² | AWG # | | |
| SSH-003T-P0.2-H | 0.032 to 0.08 | 32 to 28 | 0.4 to 0.8 | 23,000 |

Material and Finish

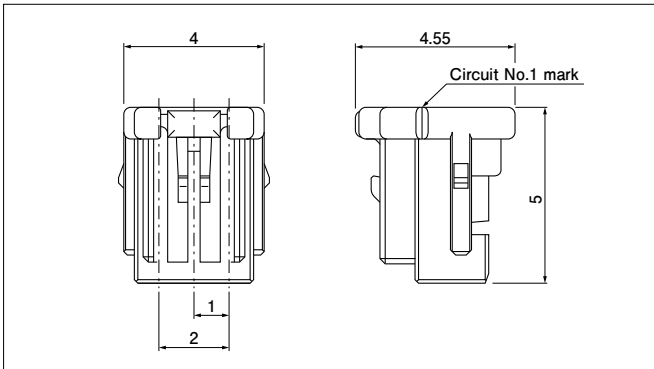
Phosphor bronze, tin-plated (reflow treatment)

RoHS2 compliance

| Contact | Crimping machine | Applicator | | |
|-----------------|------------------|------------------|-----------------|----------------------------|
| | | Crimp applicator | Dies | Crimp applicator with dies |
| SSH-003T-P0.2-H | AP-K2N | MKS-L-10-3 | MK/SSH/L-003-02 | APLMK SSH/L003-02 |

Note: Contact JST for fully automatic crimping applicator.

Housing



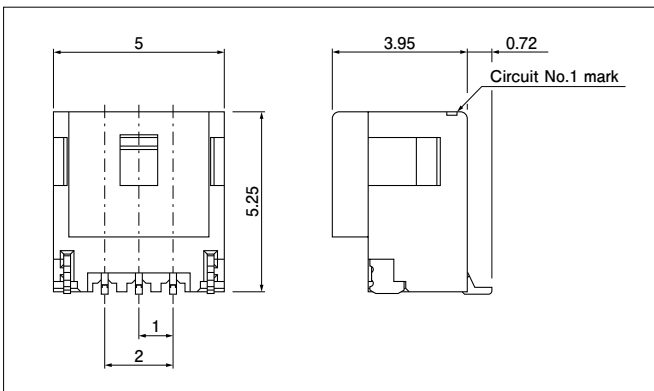
| No. of circuits | Model No. | Q'ty/box |
|-----------------|-------------|----------|
| 3 | APSHR-03V-S | 1,000 |

Material and Finish

Glass-filled PBT, UL94V-0, natural

RoHS2 compliance

Header



| No. of circuits | Model No. | Q'ty/reel |
|-----------------|-------------------|-----------|
| 3 | BM03B-APSHSS-ETFT | 1,800 |

Material and Finish

Contact: Copper alloy, copper-undercoated, tin-plated (reflow treatment)
 Wafer: PA 9T, UL94V-0, natural
 Solder tab: Copper-alloy, copper-undercoated, tin-plated (reflow treatment)

RoHS2 compliance This product displays (LF)(SN) on a label.
 Note: The product listed above are supplied on embossed-tape (with suction tape).

Model number allocation

Contact

| S SH - 003 T - P 0.2 - H | |
|---------------------------------------|-------------------------------|
| Form: S... | Strip form |
| Series name | |
| Applicable wire range: AWG #32 to #28 | |
| Surface finish: T... | Tin-plated (reflow treatment) |
| Material: P... | Phosphor bronze |
| Terminal size | |
| Type name: For single type socket | |

Housing

| APSH R - 03 V - S | |
|-----------------------|---|
| Series name | |
| Part name: Receptacle | |
| No. of circuits: 3 | |
| Flammability: V... | UL94V-0 |
| Color: S... | Natural, K...Black, E...Blue, TR...Tomato red, L...Lemon yellow |

Header

| BM 03 B - APSH S S - ETF T | |
|-----------------------------------|---|
| Shape of assembled product: BM... | SMT Top entry type |
| No. of circuits: 3 | |
| Part name: Header | |
| Series name | |
| Color: S... | Natural, K...Black, E...Blue, TR...Tomato red, L...Lemon yellow |
| Indication of clinch: S... | Straight pin |
| Packaging style: E... | Use of antistatic agent, TF...Embossed-taping |
| Suction tape: T... | With suction cap |