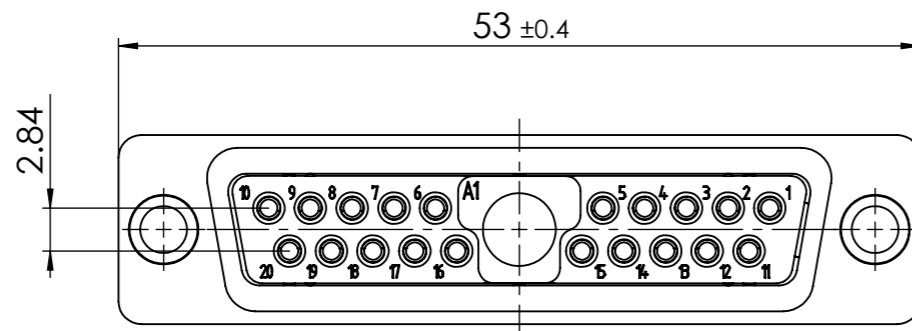
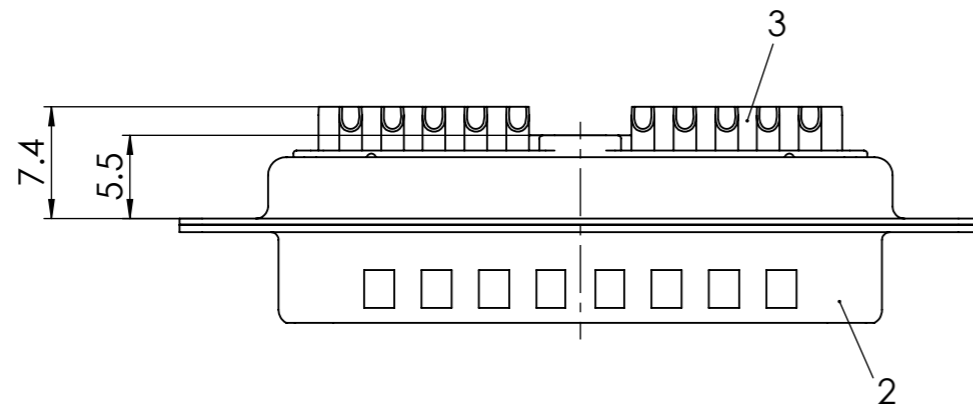
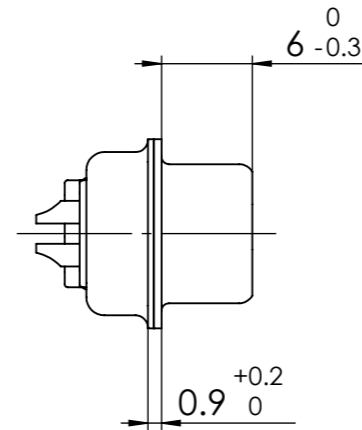
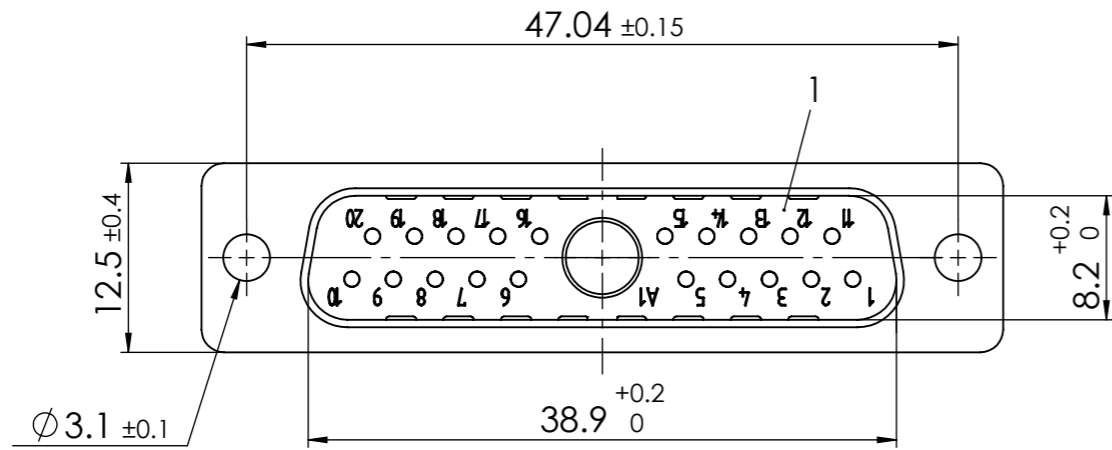


RoHS compliant
by exemption



3	20	Signal contact	P0 / Brass	AuroPur / AWG 20
2	1	Shell	Steel	tin plated
1	1	Insulator	PBT (-55°C to +130°C) acc. UL94V-0	green
No.	St.	Part	Type Description/Material	Surface plating/Colour/Class

THIS DRAWING CONTAINS INFORMATION THAT IS PROPRIETARY TO MOLEX ELECTRONIC TECHNOLOGIES, LLC AND SHOULD NOT BE USED WITHOUT WRITTEN PERMISSION				
FUNCTIONAL SYMBOLS	DIMENSION UNITS	SCALE	MEASUREMENTS WITHOUT TOLERANCE ACC. TO	molex
▽ = 0 ▽ = 0 ▽ = 0	mm	2:1	ISO 2768-m	
			CURRENT REVISION	FCT D-Sub Mixed-Layout Connector
			DRWN: DRAWN BY mteubel 04-11-2021 APPR: APPR BY mteubel 04-11-2021	
			INITIAL REVISION	PRODUCT CUSTOMER DRAWING
			DRWN: DRAWN BY sschref 09-04-2014 APPR: APPR BY sschref 09-04-2014	MATERIAL NUMBER
			REV. CH.-NO.	1727040021
			REPLACEMENT FOR:	DOCUMENT NUMBER
			FIRST ANGLE PROJECTION	FM21W1PA-K120
			DRAWING	CUSTOMER
			A3-SIZE	GENERAL MARKET
				REVISION
				2
				SHEET NUMBER
				1 OF 1

COMMENT: ALL RIGHTS ARE RESERVED BY US FOR THIS DRAWING. WITHOUT OUR PRIOR CONSENT, IT MAY NEITHER BE DUPLICATED NOR MADE AVAILABLE TO A THIRD PARTY. AND IT ALSO MAY NOT BE IMPROPERLY USED BY THE RECEIVER, OR A THIRD PARTY.