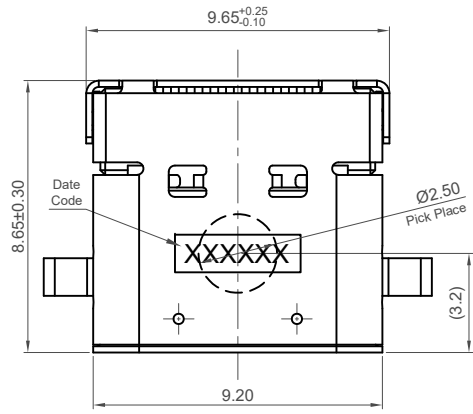
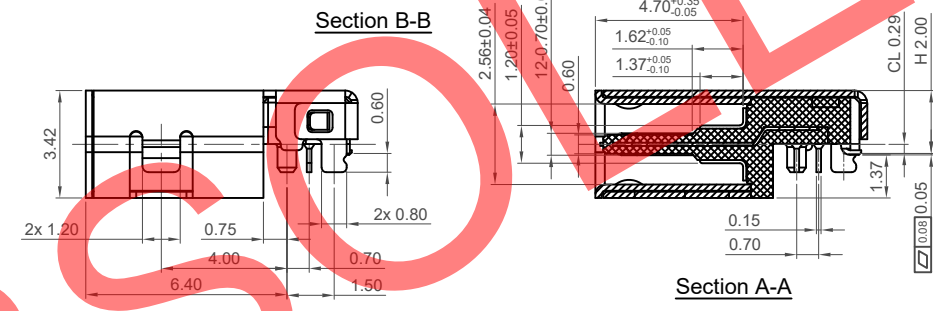
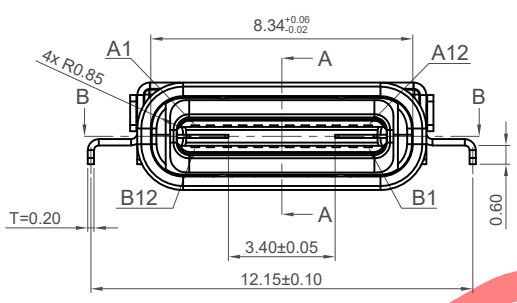
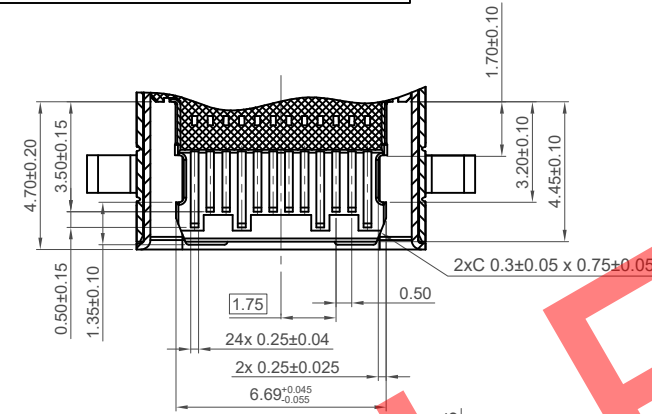


H
G
F
E
D
C
B
A



GCT USB4060 is designed and manufactured to be compatible with USB Type C specification latest release. Compliance testing for products conforming to the USB type-C cable and connector specification are currently under development by the USB-IF.



Pin	Signal	Mating Sequence	Pin	Signal	Mating Sequence
A1	GND	First	B12	GND	First
A2	SSTXp1	Second	B11	SSRXp1	Second
A3	SSTXn1	Second	B10	SSRXn1	Second
A4	Vbus	First	B9	Vbus	First
A5	CC1	Second	B8	SBU2	Second
A6	Dp1	Second	B7	Dn2	Second
A7	Dn1	Second	B6	Dp2	Second
A8	SBU1	Second	B5	CC2	Second
A9	Vbus	First	B4	Vbus	First
A10	SSRXn2	Second	B3	SSTXn2	Second
A11	SSRXp2	Second	B2	SSTXp2	Second
A12	GND	First	B1	GND	First
SHELL		GND	SHELL		GND

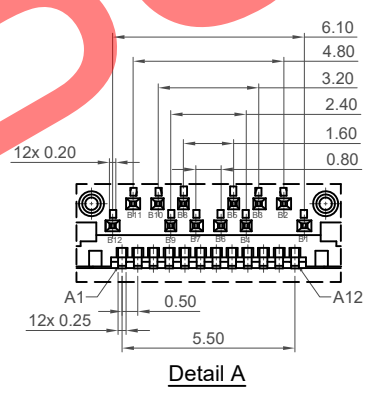
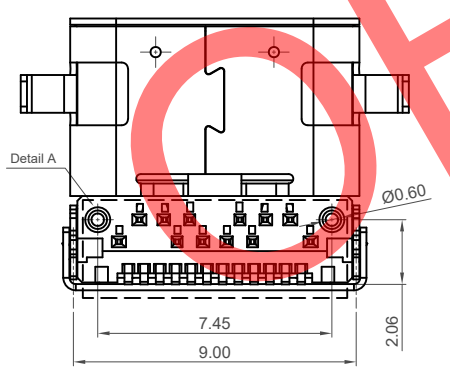
Specifications

Material
 Insulator: High Temp. Plastic UL 94V-0, Black
 Contact: High Grade Copper Alloy (T=0.15mm)
 Shell: Stainless steel (T=0.20mm)
 Inner Shell: Stainless Steel (T=0.20mm)
 Ground Sleeve : Stainless Steel (T=0.10mm)
 Mid Plate: Stainless Steel (T=0.10mm)

Plating
 Contact: 30µ" Gold over 50µ" min. Nickel
 Solder Tails: 80µ" min. Matte Tin over 50µ" min. Nickel
 Shell: 50µ" min. Nickel
 Inner Shell: 80µ" min. Nickel
 Ground Sleeve: 50µ" min. Nickel

Electrical
 Current Rating: 5.00A collectively for Vbus pins
 6.25A collectively for GND pins
 1.25A for B5 pin
 0.25A per pin for all other pins
 Voltage Rating: 20V DC
 Contact Resistance: 40mΩ max initial.
 50mΩ max after test
 Dielectric Withstanding Voltage: 100V AC
 Insulation Resistance 100MΩ min

Mechanical & Environmental
 Operating Temperature: -40°C to 85°C
 Mating Force: 5 to 20 N.
 Unmated Force: 8 to 20 N after test
 Durability: 10,000 cycles



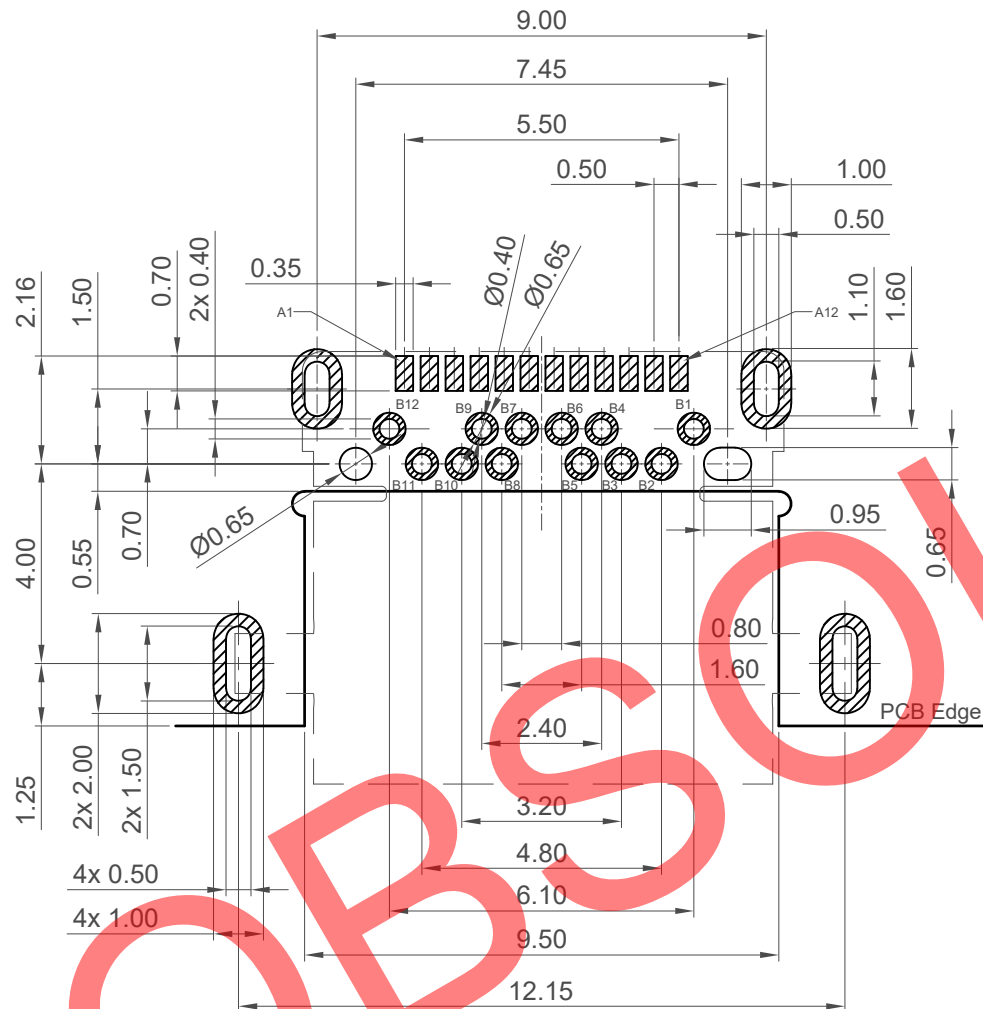
Ordering Grid
USB4060 - 30 - A Request Samples and Quotation

Contact Plating
 30 = 30µ" Gold

Packing Options
 A = Tape & Reel
 (1,000 per reel)

Part Number USB4060		Product Description USB Type C Receptacle Hybrid type, PCB Mid Mount, 1.37mm Offset			This drawing is confidential and copyright of Global Connector Technology, Ltd (GCT). This drawing must not be copied or disclosed without written consent. E & OE
Drawing Date 21st April 2016					
By	CC	Tolerances (Except as Noted)	Units:		Not to Scale Drawn By AJO Sheet No. 1/3
Detail	USB4060 X PCN	Length X. ± 0.50 X.X ± 0.30 X.XX ± 0.20 X.XXX ± 0.10	Metric (mm)		
Revision	X	± 2°			
Date	29/06/23				



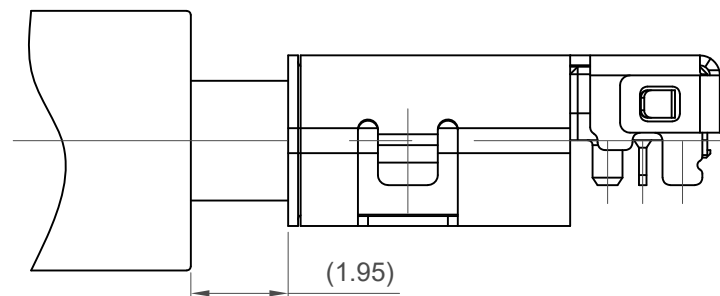
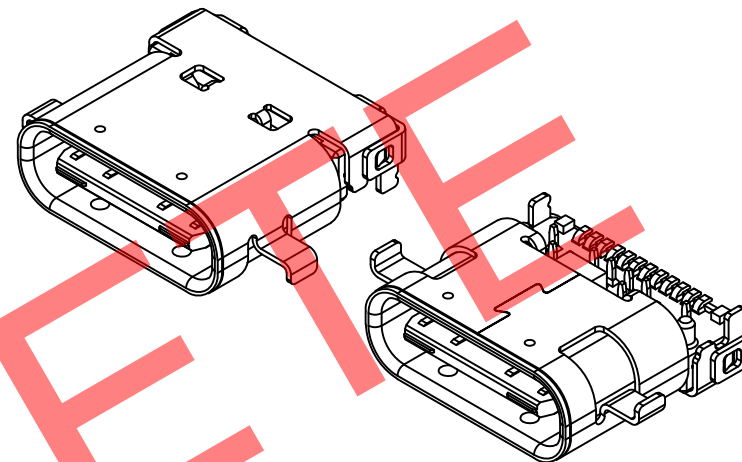


Recommended PCB Layout





As viewed from component side

Recommended PCB Thickness: 0.60mm Tolerance: ±0.05mm

▨ Solder Area □ Component Outline

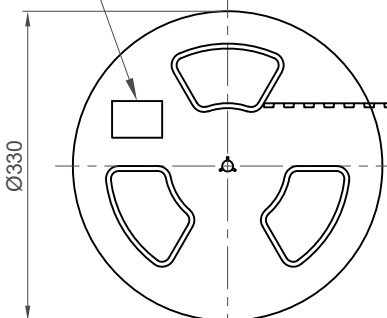


Mating View

Part Number		Product Description		 www.gct.co
USB4060		USB Type C Receptacle		
Drawing Date		Hybrid type, PCB Mid Mount, 1.37mm Offset		
21st April 2016				
By	CC	Tolerances (Except as Noted)	Units:	  <small>This drawing is confidential and copyright of Global Connector Technology, Ltd (GCT). This drawing must not be copied or disclosed without written consent. E & OE</small>
Detail	USB4060 X PCN	Length	Metric (mm)	
Revision	X	Angle	± 2°	
Date	29/06/23		 <small>3rd Angle Projection</small>	
Not to Scale	Drawn By	Sheet No.		
	AJO	2/3		

38.4
32.4

Label



Ø330

About 160mm long

Unloaded Section

Product Loaded Section

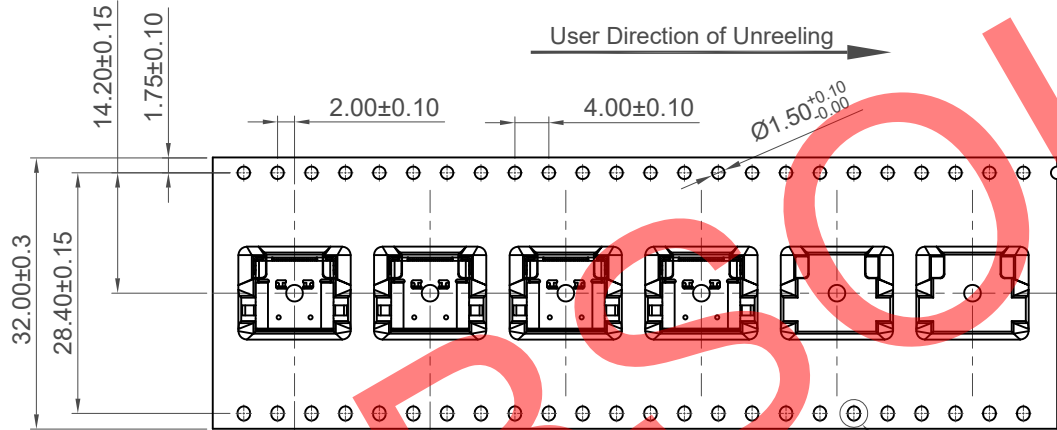
About 160mm long

Unloaded Section



Peeling Angle
165° ~ 180°

User Direction of Unreeling



14.20±0.15
1.75±0.10

2.00±0.10

4.00±0.10

Ø1.50^{+0.10}_{-0.00}

32.00±0.3
28.40±0.15

16.00±0.10

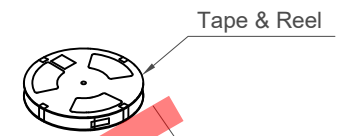
Detail 1

3.75±0.10

0.2±0.05

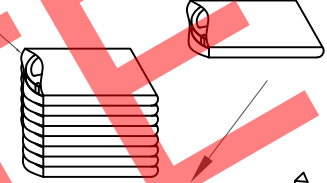
R0.75±0.05

Detail 1
4:1

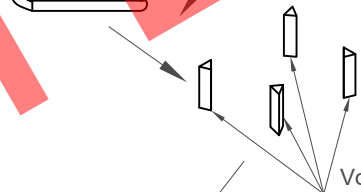


Tape & Reel

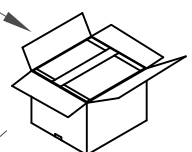
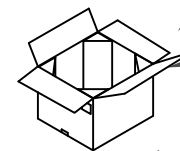
Vacuum Bag



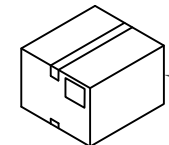
Void filler



Inner carton dimensions
340mm x 340mm x 285mm



Box dimensions
355mm x 355mm x 305mm



Notes:
Peeling off force of top tape: 0.1-1.3N (Peeling direction as shown)

Materials:
Carrier Tape: Polystyrene (PS)
Top Tape: PE
Reel Tape: Polystyrene (PS)
Bag: PE

Pcs / Reel	Reels / Carton	Total Quality
1000	7	7,000 pcs

Part Number		Product Description	
USB4060		USB Type C Receptacle	
Drawing Date		Hybrid type, PCB Mid Mount, 1.37mm Offset	
21st April 2016			
By	CC	Tolerances (Except as Noted)	Units:
Detail	USB4060	Length	Metric (mm)
Revision	X PCN	X ± 0.20	Angle
Date	29/06/23	X.X ± 0.15	± 1°
		X.XX ± 0.10	
		X.XXX ± 0.05	



This drawing is confidential and copyright of Global Connector Technology, Ltd (GCT). This drawing must not be copied or disclosed without written consent. E & OE



Not to Scale	Drawn By AJO	Sheet No. 3/3
--------------	--------------	---------------