

Specifications

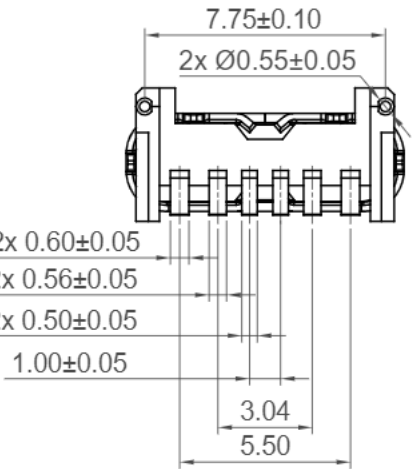
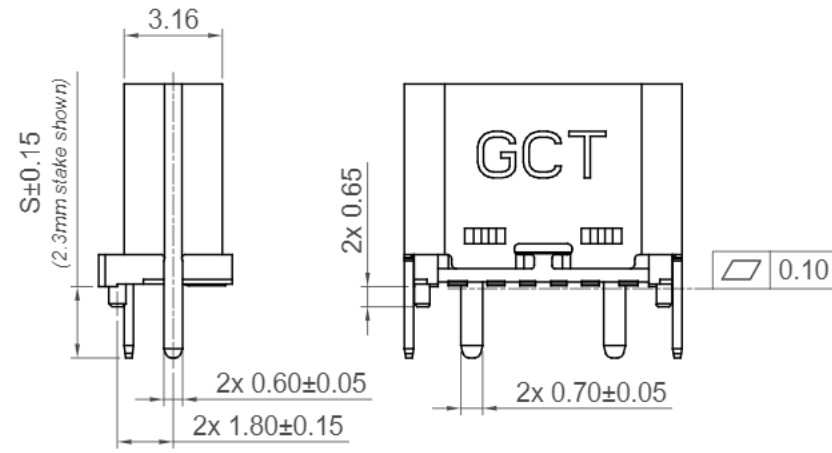
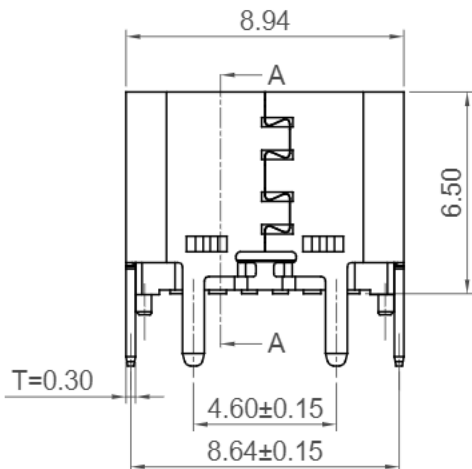
Material
 Insulator: PA9T, UL 94V-0, Black
 Contact: Copper Alloy
 Shell: Stainless Steel
 Middle Plate: Stainless Steel

Plating
 Contact
 Contact Area: Gold Flash Over 50µ" min. Nickel
 Solder Tails: Gold Flash Over 50µ" min. Nickel
 Shell: 30µ" min. Nickel
 Middle Plate: Clear

Electrical
 Current Rating: 3.00A collectively for VBUS pins
 4.25A collectively for GND pins
 1.25A for A5/B5 pin

Voltage Rating: 20V DC
 Contact Resistance: 40mΩ max initial.
 50mΩ max after test
 Dielectric Withstanding Voltage: 100V AC
 Insulation Resistance 100MΩ min

Mechanical & Environmental
 Operating Temperature: -25°C to +85°C
 Mating Force: 5 to 20 N.
 Unmated Force: 6 to 20 N after test
 Durability: 20K cycles



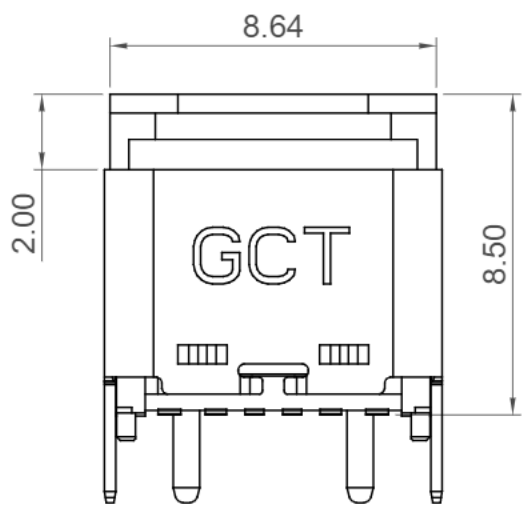
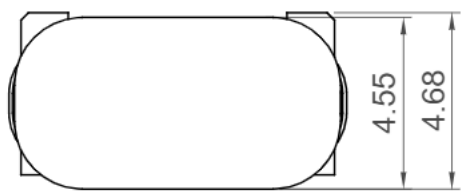
Ordering Grid
USB4140 - **GF** - **XXXX** - **C** [Request Samples and Quotation](#)
 Contact Plating: GF = Gold Flash
 Packing Options: C = Tape & Reel with Cap (400 per reel)

Shell Stake Length "S"
 0070 = 0.70mm
 0170 = 1.70mm
 0230 = 2.30mm

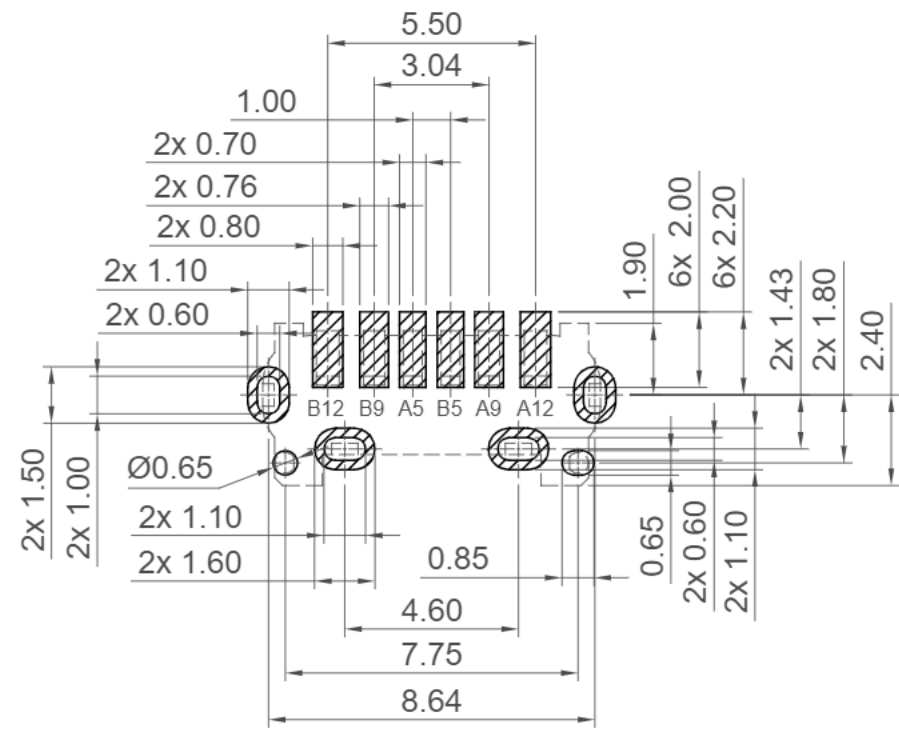
Part Number		Product Description	
USB4140		USB Type C Receptacle, Vertical, SMT, For Power charging only, H=6.50mm, 6 Pin	
Drawing Date		25th February 2022	
By	CC	Tolerances (Except as Noted)	Units:
Detail	Drawing Release	Length	Metric (mm)
Revision	A1	Angle	
Date	27/06/22	X.X ± 0.30	
		X.XX ± 0.20	
		X.XXX ± 0.10	
		This drawing is confidential and copyright of Global Connector Technology, Ltd (GCT). This drawing must not be copied or disclosed without written consent. E & OE	



Not to Scale	Drawn By CC	Sheet No. 1/4
--------------	-------------	---------------



Cap Information



Recommended PCB Layout

Tolerance: ±0.05mm

▨ Solder Area □ Component Outline

Pin	Signal	Mating Sequence
A5	CC1	Second
A9	Vbus	First
A12	GND	First
B5	CC2	Second
B9	Vbus	First
B12	GND	First
SHELL	GND	

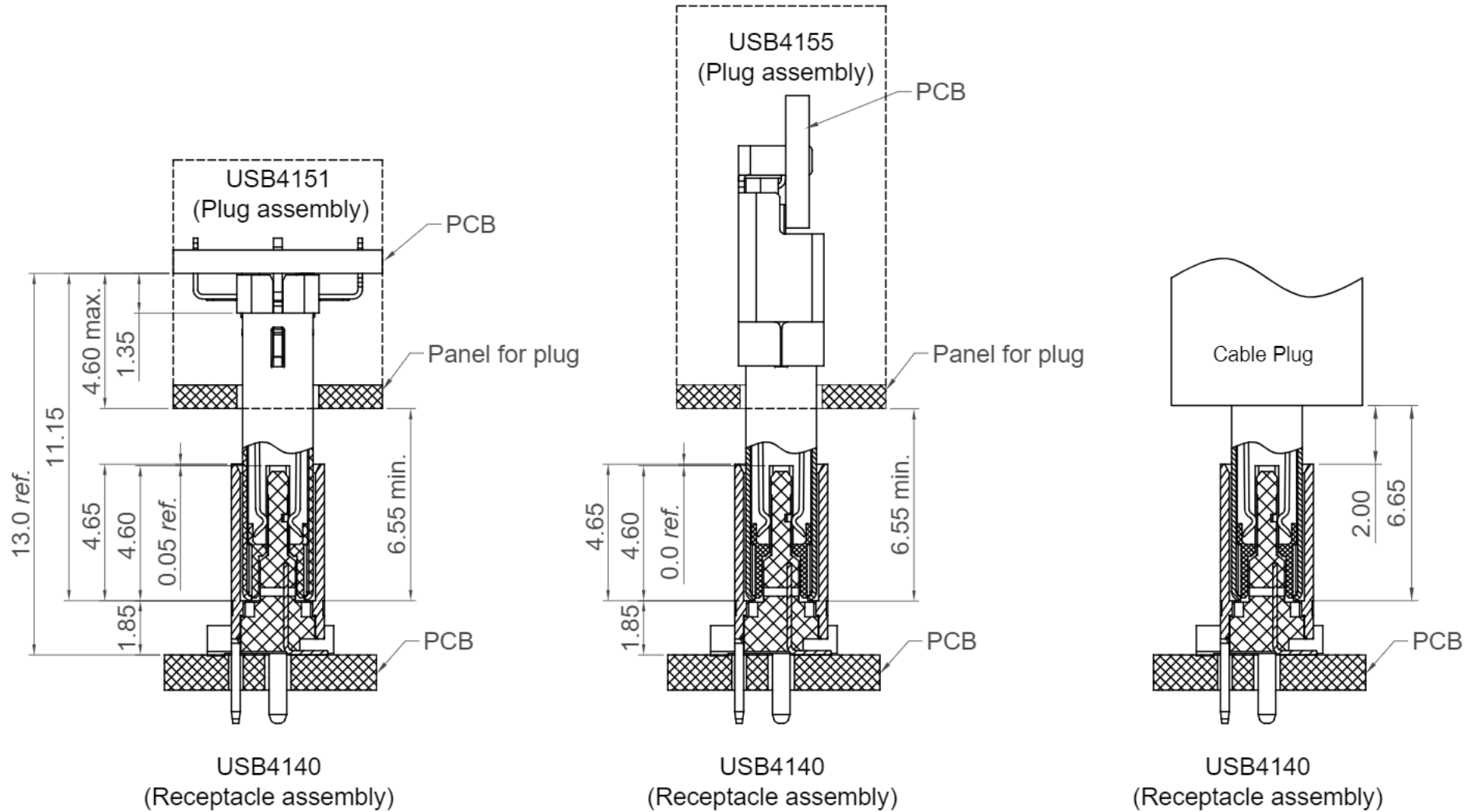
Part Number		Product Description	
USB4140		USB Type C Receptacle, Vertical, SMT, For Power charging only, H=6.50mm, 6 Pin	
Drawing Date		25th February 2022	
By	CC	Tolerances (Except as Noted)	Units:
Detail	Drawing Release	Length	Metric (mm)
Revision	A1	X.X ± 0.30	 2nd Angle Projection
Date	27/06/22	X.XX ± 0.20	
		X.XXX ± 0.10	



This drawing is confidential and copyright of Global Connector Technology, Ltd (GCT). This drawing must not be copied or disclosed without written consent. E & OE

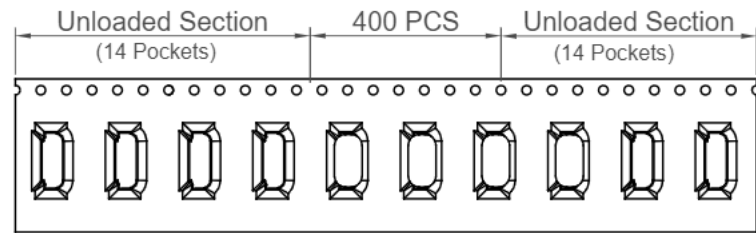


Not to Scale	Drawn By CC	Sheet No. 2/4
--------------	----------------	------------------



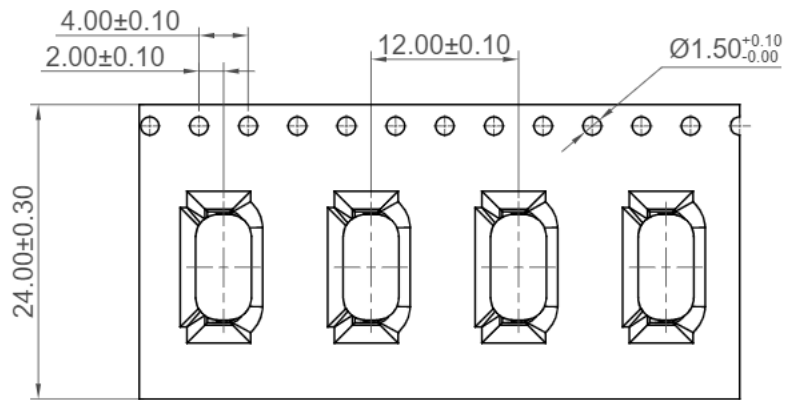
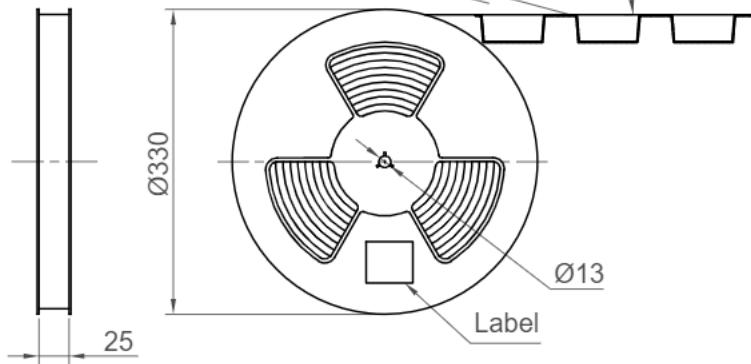
Plug and Receptacle Mating View

Part Number		Product Description	
USB4140		USB Type C Receptacle, Vertical, SMT, For Power charging only, H=6.50mm, 6 Pin	
Drawing Date		25th February 2022	
By	CC	Tolerances (Except as Noted)	Units:
Detail	Drawing Release	Length	Metric (mm)
Revision	A1	X.X ± 0.30	 3rd Angle Projection
Date	27/06/22	X.XX ± 0.20	
		X.XXX ± 0.10	
		This drawing is confidential and copyright of Global Connector Technology, Ltd (GCT). This drawing must not be copied or disclosed without written consent. E & OE	
		 www.gct.co	
		Not to Scale	Drawn By CC Sheet No. 3/4

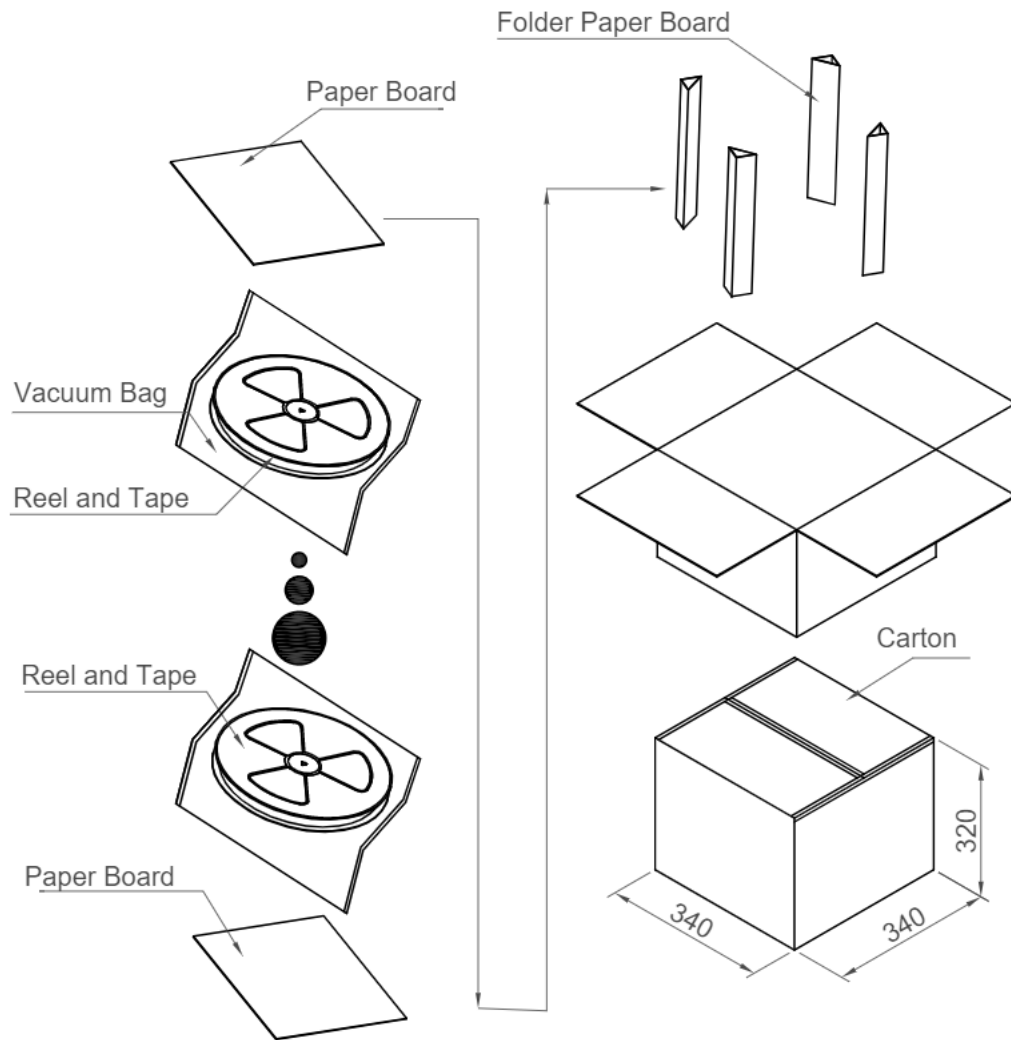


Direction of Unreeling

Peeling Angle 165°~180°



Direction of Unreeling



Pcs / Reel	Reels / Carton	Total Quantity
400	10	4,000 pcs

Part Number USB4140		Product Description USB Type C Receptacle, Vertical, SMT, For Power charging only, H=6.50mm, 6 Pin	
Drawing Date 25th February 2022			
By CC	Detail Drawing Release	Tolerances (Except as Noted) Length	Units: Metric (mm)
Revision A1	Date 27/06/22	Angle	 2nd Angle Projection
		 This drawing is confidential and copyright of Global Connector Technology, Ltd (GCT). This drawing must not be copied or disclosed without written consent. E & OE	

GCT
www.gct.co

Not to Scale
Drawn By
CC
Sheet No.
4/4