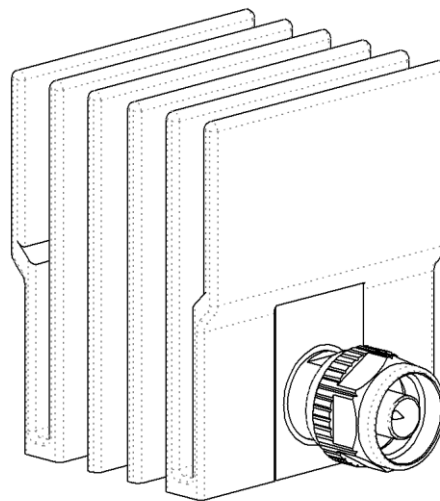
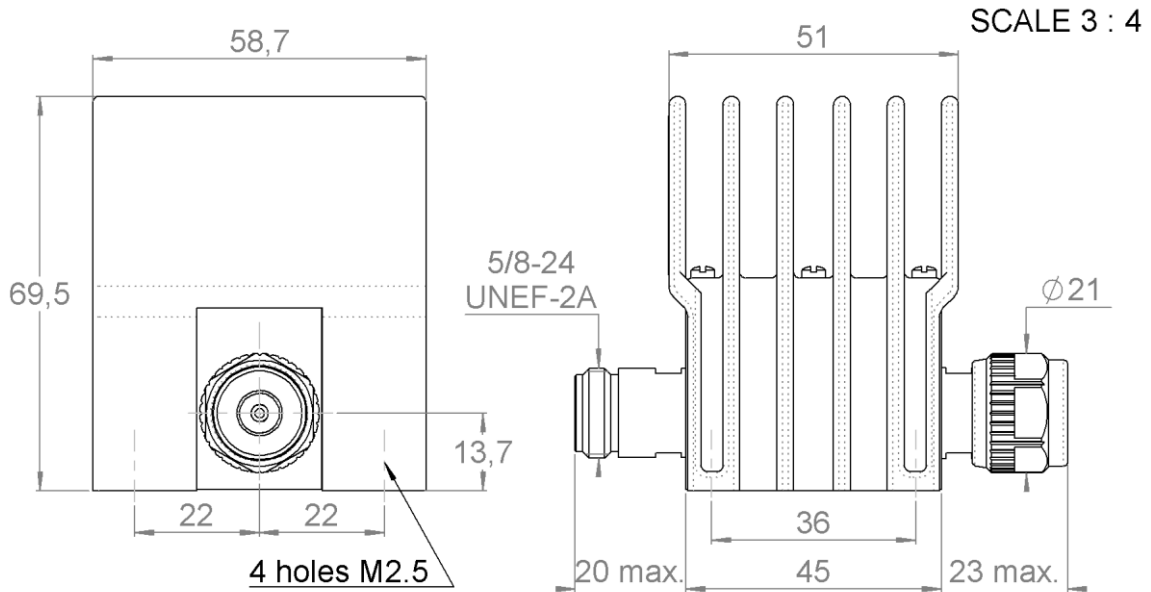


| | | | |
|----------|-----------------|----------------------|------------------------|
| PAGE 1/2 | ISSUE 02-10-18D | SERIES ATTENUATOR | PART NUMBER R417306110 |
|----------|-----------------|----------------------|------------------------|



All dimensions are in mm. Tolerances according ISO 2768 m-H



| COMPONENTS | MATERIALS | PLATING (μm) |
|-----------------------|-------------------------|--|
| Body | STAINLESS STEEL | PASSIVATED |
| Male center contact | BERYLLIUM COPPER | GOLD 0.5 OVER NICKEL PHOSPHORUS 2 |
| Female center contact | BERYLLIUM COPPER | GOLD 0.5 OVER NICKEL PHOSPHORUS 2 |
| Outer contact | | |
| Insulator | PTFE | |
| Gasket | SILICONE RUBBER | |
| Substrate | ALUMINA | |
| Resistor | THICK FILM | |
| Others parts | ALUMINIUM | BLACK ANODIZATION |

| | | | |
|----------|------------------------|-----------------------------|-------------------------------|
| PAGE 2/2 | ISSUE 02-10-18D | SERIES ATTENUATOR | PART NUMBER R417306110 |
|----------|------------------------|-----------------------------|-------------------------------|

ELECTRICAL CHARACTERISTICS

| | | | |
|----------------------|---------------|--------------|--------------|
| Frequency (GHz) | DC - 1 | 1 - 2 | 2 - 4 |
| V.S.W.R (\leq) | 1.10 | 1.20 | 1.35 |
| Deviation(\pm dB) | 0.60 | 0.60 | 0.60 |

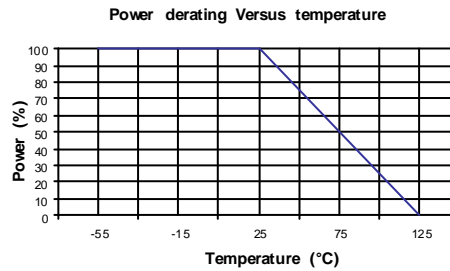
| | | |
|------------------------------------|---------------|-----------------------|
| Operating Frequency Range | DC - 4 | GHz |
| Impedance | 50 | Ω |
| Nominal Attenuation | 6 | dB |
| Peak power at 25°C (1 μ s, 1%) | 5000 | W |
| Average power at 25°C | 25 | W (Free Air Cooled) |
| | | W (Conduction Cooled) |

MECHANICAL CHARACTERISTICS

| | | | |
|------------|-----------------|--------------------|--------------------|
| Connectors | N | Male Female | MIL-C 39012 |
| Weight | 337,5800 | g | |

ENVIRONMENTAL CHARACTERISTICS

| | | |
|-----------------------------|------------------|----|
| Operating temperature range | -55 /+125 | °C |
| Storage temperature range | -55 /+125 | °C |



SPECIFICATION

OTHER CHARACTERISTICS