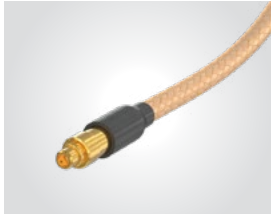


50 Ω MMCX TO 6 GHz

MMCX Cable Assemblies

RF174, RF178, RF316, RS316



SERIES	END 1 CONNECTOR	END 2 CONNECTOR	OVERALL LENGTH
RF174 = RG 174 Cable	-03SP1 = MMCX Straight Plug		-“XXXX” = Overall Length in millimeters -0100 (100 mm) 3.94" minimum
RF178 = RG 178 Cable (-03SP1 & -03RP1 only)	-03RP1 = MMCX Right-angle Plug		
RF316 = RG 316 Cable, Single Braid Shield	-V3SP1 = MMCXV Straight Plug, High Vibration		
RS316 = RG 316 Cable, Double Shielded (-03SP1 only)	-V3RP1 = MMCXV Right-angle Plug, High Vibration		
		-V3SJ1 = MMCXV Straight Jack, High Vibration	

ALSO AVAILABLE

50 Ω: MCX, SMA, SMB, BNC, TNC,
N Type = RF174, RF178, RF316

50 Ω: MCX, SMA, BNC, TNC = RS316

MMCX Board Connectors

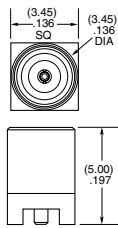
MMCX-SM, MMCX-TH,
MMCX-MT, MMCX-EM

Cable Mates:

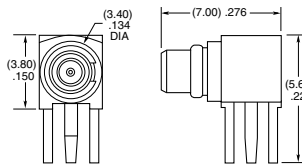
RF174, RF178, RF316, RS316,
GRF1H-C, IJ5H



MMCX	GENDER	TYPE	PLATING	ORIENTATION	TERMINATION
	-J = Jack	-P = PCB Mount	-H = 30 μ" (0.76 μm) Gold center contact, 3 μ" (0.08 μm) Gold outer contact	-ST = Straight	-TH1 = Through-hole
	-P = Plug			-RA = Right-angle	-MT1 = Mixed Technology (-ST only)
					-SM1 = Surface Mount (-RA plug not available)
					-EM1 = Edge Mount (-ST only)



-ST-SM1 (Jack)



-RA-TH1 (Plug)

MMCX Cable Connectors

MMCX-CA



CONNECTORS FOR INDUSTRY STANDARD CABLES	
MMCX-P-C-H-ST-CA1	RG 174/316 Cable
MMCX-P-C-H-ST-CA2	RG 178 Cable
MMCX-P-C-HF-ST-CA1S	RG 316 Double Shielded Cable
MMCX-P-C-H-RA-CA1	RG 174/316 Cable
MMCX-P-C-H-RA-CA2	RG 178 Cable

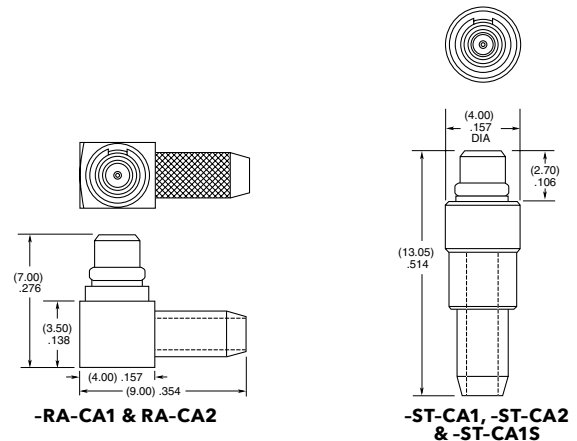
Add "-B" to the end of the part number for bulk packaging

P-C = Cable Plug

H or HF = Plating (30 μ" Gold center contact,
3 μ" Gold outer contact)

ST = Straight

RA = Right-angle



-RA-CA1 & RA-CA2

-ST-CA1, -ST-CA2 & -ST-CA1S

Supplied with pins and ferrules.
See website for dimensions.