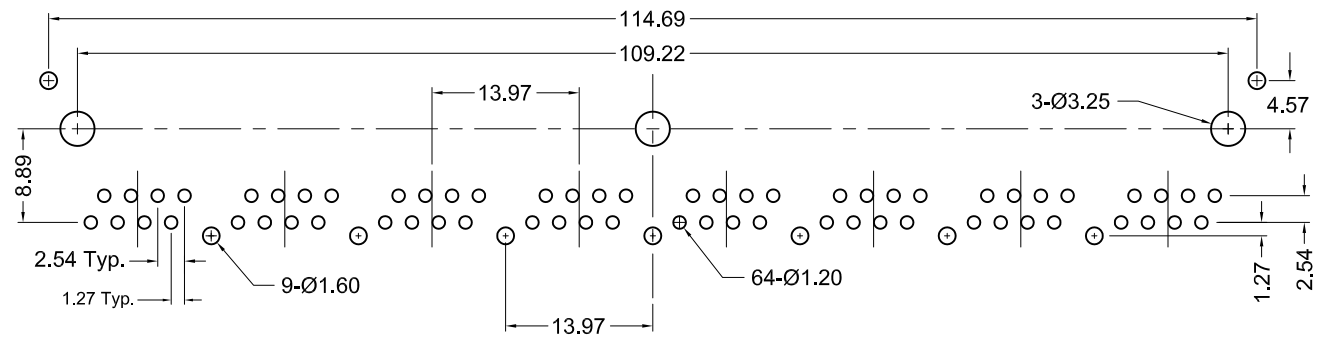


Material and Finish

Body: PBT, glass filled
 UL94V-0 rated
 color: black
 Shield: 0.25mm thick
 Copper alloy,
 Nickel plated
 Contact: Phosphor Bronze
 Gold plating options:
 Standard: Gold flash plated
 on contact area contact,
 tin on termination end
 Nickel underplate on entire
 50 option: 50u" gold
 to comply with FCC
 requirements under #47
 C.F.R. Part 68,
 Subpart F
 tin on termination end

Electrical Characteristics

Current Rating:
 1.5 Amps
 Voltage Rating:
 125V DC
 Insulation Resistance:
 500 Megohms Min.
 Dielectric Withstanding Voltage:
 1000V rms, 60Hz
 Contact Resistance:
 20 milliohms Max.
 Durability Rating:
 500 Mating Cycles Min.
 Operating Temperature:
 -40°C to +85°C



Recommended PCB Layout
 (Top View)

Electrical Performance

Category 5 100MHz Bandwidth Performance
 Performance meets near end crosstalk (NEXT)
 Requirements of -40dB @ 100MHz per
 EIA/TIA 568A in applications where UL
 Approved Category 5 cable (GA27-3773-1)
 is used
 Shielded types offer 20dB shielding from
 30MHz to 300MHz

Part Number	Contact Area Plating Finish
GSGX-NS7-888-457	Gold Flash (standard option)
GSGX-NS7-888-45750	50u" Gold (-50 option)



Tolerances
X.X ± 0.25
X.XX ± 0.15
Unless Stated Otherwise

REV.	DATE	DESCRIPTION	REV. BY	CHK. BY	DRAWN BY	DATE
A1	07/05/05	New Drawing	R. Aguirre	H. MA	R. Aguirre	07/05/05
A2	3/4/08	ECO #08-030	R. Aguirre	H. MA		
A3	05/13/10	ECO #10-025	S. Vien	H. MA		
A4	12/11/13	ECO #13-090	D. Gih	H. MA	UNITS	mm
A5	06/26/15	ECO #15-001	H. MA	C. Furumasu		
A6	06/14/17	ECO #17-014	H. MA	C. Furumasu		

GSGX-NS7-888-457

8 Port Shielded gang-jack, RoHS Compliant

8 position/ 8 contacts per port

