

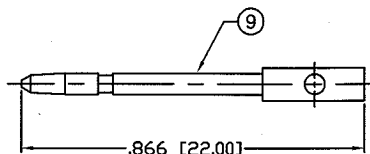
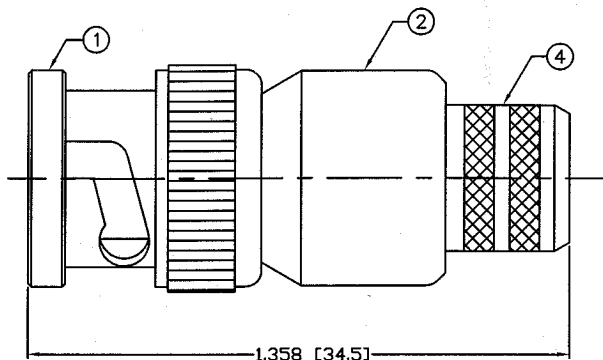
THIS DRAWING CONTAINS INFORMATION PROPRIETARY TO RF INDUSTRIES,
 ANY UNAUTHORIZED USE OF THIS DRAWING IS EXPRESSLY PROHIBITED
 WITHOUT WRITTEN PERMISSION FROM RF INDUSTRIES.
 ANY VIOLATION IS PUNISHABLE UNDER U.S. COPYRIGHT LAWS.

ALL DIMENSIONS ARE REFERENCE ONLY

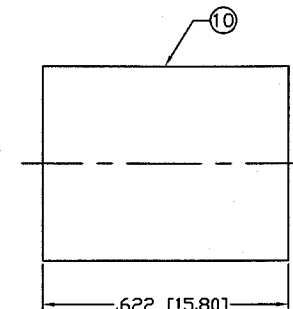
PART NO.

RFB-1707-R

REV	DESCRIPTION	DWN	DATE	APPROVED
-	ENGINEERING RELEASE	GGG	9/6/01	JDMc



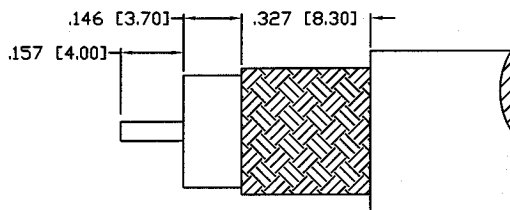
SOLDER CONTACT RECOMMENDED



RECOMMENDED CRIMP DIE: .429

SPECIFICATIONS:

IMPEDANCE: 75 Ohms
 FREQUENCY RANGE: 0-4 GHz
 WORKING VOLTAGE: 500 V rms @ sea level
 TEMPERATURE RANGE: -65°C TO 165°C
 INSULATION RESISTANCE: 5k M Ohms min.
 FOR RG-11/U Type: Belden 8213, 8237, 8238,
 8261, 9011, 9292, CommScope 3247, 5901, 5903, 5908,
 5909, 5916, 5916R, 5918



RECOMMENDED STRIPING DIM'S

1	SHELL	1	BRASS	NICKEL, 100 μ"	008974	
2	BODY	1	BRASS	NICKEL, 100 μ"		
3	INSULATOR	1	PTFE	---		
4	BARREL	1	BRASS	NICKEL, 100 μ"		
5	GASKET	1	RUBBER	---		
6	RETAINING RING	1	BRASS	NICKEL, 100 μ"		
7	SPRING	1	SK5	NICKEL, 100 μ"		
8	WASHER	1	BRASS	NICKEL, 100 μ"		
9	PIN	1	BRASS	GOLD, 3 μ"		
10	FERRULE	1	BRASS	NICKEL, 100 μ"		
11						
12						
13						
14						
#	DESCRIPTION	QTY	MATRL	FINISH	APPROVALS	DATE

DRAWN
G. GALLEGOS
 CHECKED
JDMc
 ORJ DRAWN
G. GALLEGOS
 9/6/01

UNLESS OTHERWISE SPECIFIED:

1. REMOVE ALL BURRS
2. BREAK ALL CORNERS & EDGES .005 R. MAX.
3. CHAMFER 1ST & LAST THREADS 45°
4. SURFACE ROUGHNESS 63 FINISH MIL-STD-10
5. DIAMETERS ON COMMON CENTERS TO BE CONCENTRIC WITHIN .002 T.I.R.
6. ALL DIMENSIONS ARE AFTER PLATING.

DIMENSIONS ARE IN INCHES
 AND [MILLIMETERS]

UNLESS OTHERWISE NOTED
 TOLERANCES ARE:

DECIMALS	DIAMETER
.xxx±.003 [.08]	.xxx±.001 [.03]
.xx±.005 [.13]	.xx±.003 [.08]



7610 MIRAMAR RD
 SAN DIEGO, CA 92126
 (858) 549-6340
 (858) 549-6345 FAX

BNC PLUG, CRIMP

75 Ohm

SIZE A	CABLE GROUP R	DWG NO. RFB-1707-R	REV -
SCALE: NTS		CAD FILE OUTLINE	SHEET 1 OF 1