

PRODUCT SPECIFICATION DRAWING

P2RFD-1653-4

FINISH:
 BODY &
 HARDWARE: WHITE BRONZE

CONTACTS: SILVER

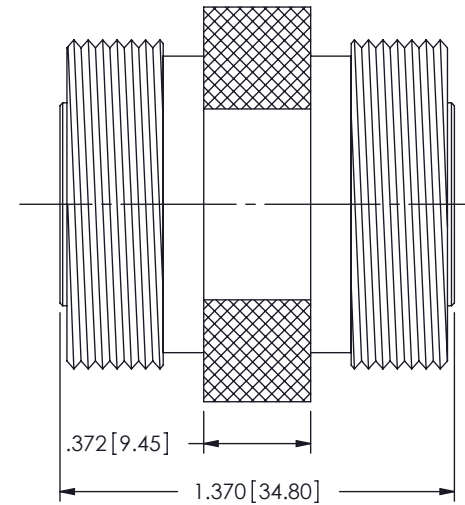
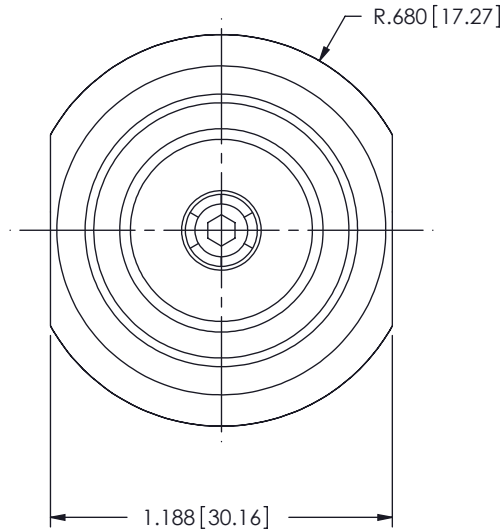
MATERIAL:
 BODY &
 HARDWARE: BRASS

CONTACT: BERYLLIUM COPPER

INSULATOR: PTFE PER ASTM-D1710

PERFORMANCE:
 IMPEDANCE: 50 OHMS
 VP: 77%
 FREQ. RANGE: DC TO 7.5 GHz
 DELAY: 132 ps OVER 7.5 GHz SPAN
 VSWR: <1.2:1 TO 7.5 GHz
 INSERTION LOSS: <-.1 dB TO 7.5 GHz
 3rd ORDER IMP: <-155dBc IN PCS BAND w/2 +43 dB TONES

MECHANICAL (TYP)
 MATING: M29 X 1.5mm THREAD
 INTERFACE: CECC 22 190
 MATING CYCLES: 500 min



UNLESS OTHERWISE SPECIFIED
 DIMENSIONS ARE IN INCHES
 & [MILLIMETERS]

PROPRIETARY

THE INFORMATION HEREIN IS CONFIDENTIAL AND PROPRIETARY. NO DISCLOSURE, REPRODUCTION, OR FURTHER DISSEMINATION MAY BE MADE WITHOUT THE EXPRESSED WRITTEN CONSENT OF RF INDUSTRIES.

RFP² RF PRECISION PRODUCTS
 A DIVISION OF RF INDUSTRIES
 7610 MIRAMAR ROAD, SAN DIEGO, CA 92126-4202
 (858) 549-6340 - FAX (858) 549-6345 - RFP2@RFINDUSTRIES.COM

TITLE: **7-16 DIN JACK TO JACK BARREL ADAPTER**

REV	DESCRIPTION	DATE	APPROVED
-	ENGINEERING RELEASE	01/27/11	JDMc
A	UPDATED SPECS	05/15/15	JDMc

RoHS COMPLIANT

DRAWN BY:	C. ZUNIGA	05/15/15
ENG APPROVAL:		
ORJ. DRAWN:	C. ZUNIGA	01/27/11

SIZE	CODE	DWG. NO.
A	000000	P2RFD-1653-4
SHEET 1 OF 1		A