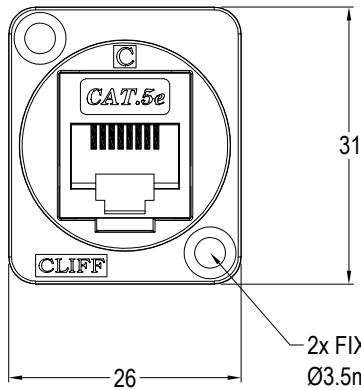
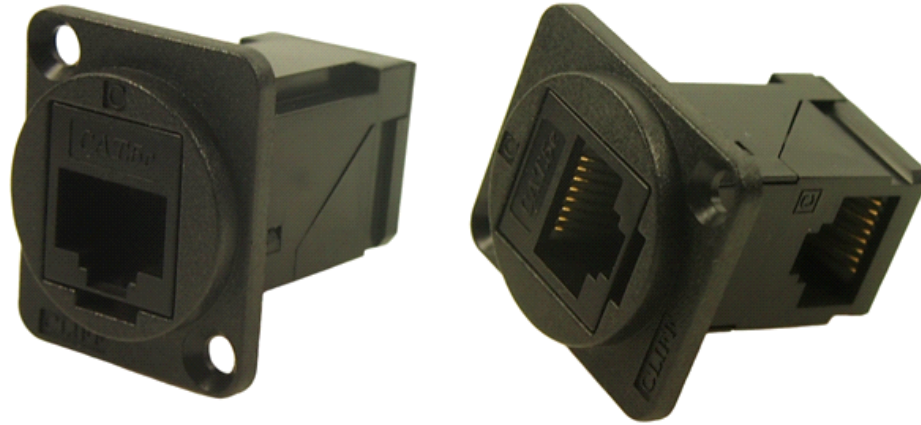
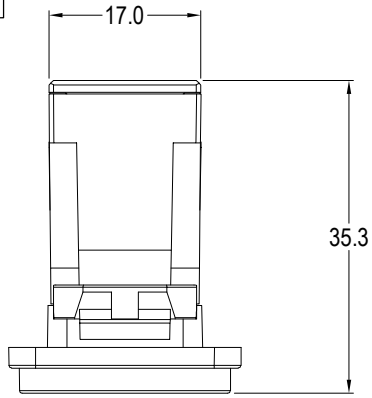
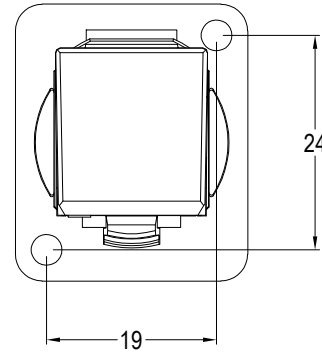
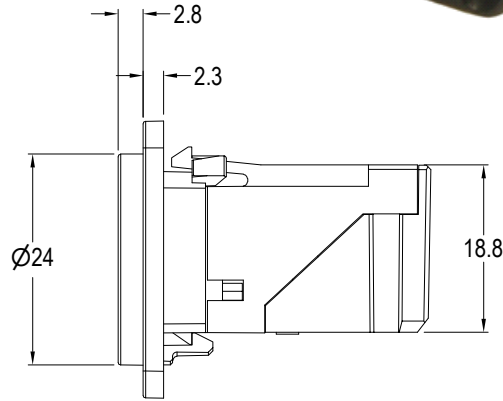


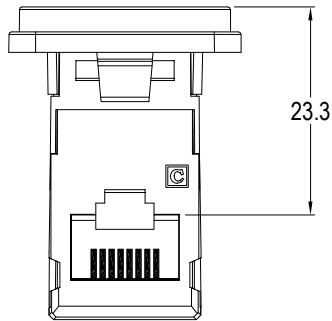
ISS.	AMEND	DATE
1	ISSUED	15/07/22



2x FIXING HOLE VARIANTS:
 Ø3.5mm CSK 82° x Ø5.85
 'X' VERSION HAS Ø2.5 PLAIN HOLES.



PART NO.	FIXING HOLE DETAILS
CP30251	HOLE Ø3.50 x CSK 82° x Ø5.85
CP30251X	PLAIN HOLE Ø2.50



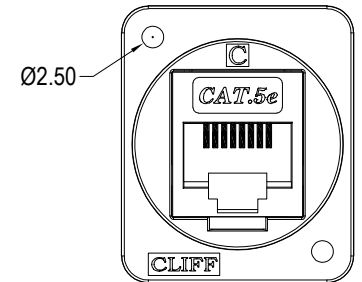
Material:

1. RJ45 In-Line Coupler: ABS UL94-V2
2. RJ45 In-Line Coupler Contact: Phosphor Bronze, gold plating.
3. PCB: FR4
4. Frame: Polyamide UL94-V2

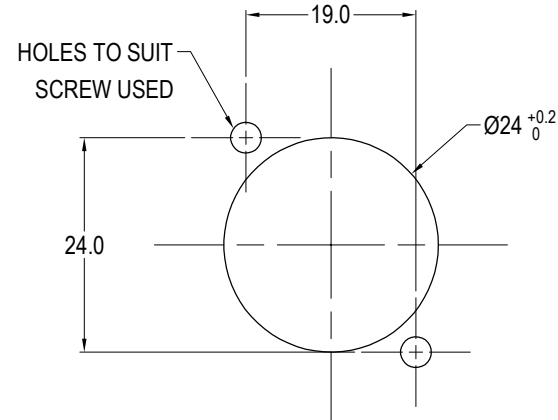
Performance:

1. T568A & T568B wiring.
2. Meet ISO/IEC 11801 and EN50173
3. Meet ANSI/TIA/EIA 568B.2
4. Rating 125VAC RMS 1.5A
5. Operating Temperatures: Min -10°C Max +60°C

PANEL CUTOUT
 MAXIMUM PANEL
 THICKNESS 3mm



'X' VERSION
 Ø2.5 PLAIN HOLES



RoHS
 COMPLIANT

TOLERANCE
 NO DEC. PLACE ±
 1 DEC. PLACE ±
 2 DEC. PLACE ±
 HOLE Ø ±
 ANGLES ±
 UNLESS OTHERWISE STATED

DO NOT SCALE

Cliff Electronic Components Ltd.

76 Holmehorpe Avenue, Holmehorpe Industrial Estate,
 Redhill, Surrey, RH1 2PF, England, UK
 Tel: 01737-771375 Fax: 01737-766012 Website: www.cliffuk.co.uk

DIMENSIONS IN MILLIMETERS UNLESS OTHERWISE STATED. WORK TO DIMENSIONS. REMOVE ALL BURRS. IF IN DOUBT ASK.

3rd ANGLE PROJECTION:

MATERIAL: See Notes

FINISH: See Notes

DRAWN: T.J.O.

APPROVED: D.P.J.

TITLE: RAFT CAT5e RJ45-RJ45

DRWG. No. **CP30251**

FORM: A4DRWGH