

# 3-Terminal EMI Filter

**AEMIF-0603**



**RoHS/RoHS II Compliant**



1.6 x 0.8 x 0.6mm

## FEATURES:

- Multilayer and low profile structure enables high density mounting
- Closed magnetic circuit minimizes crosstalk
- Sharp attenuation characteristic beyond cutoff frequency achieves excellent EMI suppression

## APPLICATIONS:

- Noise removal from signal lines in digital cameras, computers, game consoles, LED TVs, etc.
- Suppression of noise generated by high speed digital circuits such as clock lines

## STANDARD SPECIFICATIONS:

**Operating Temperature**  
-40°C to +85°C

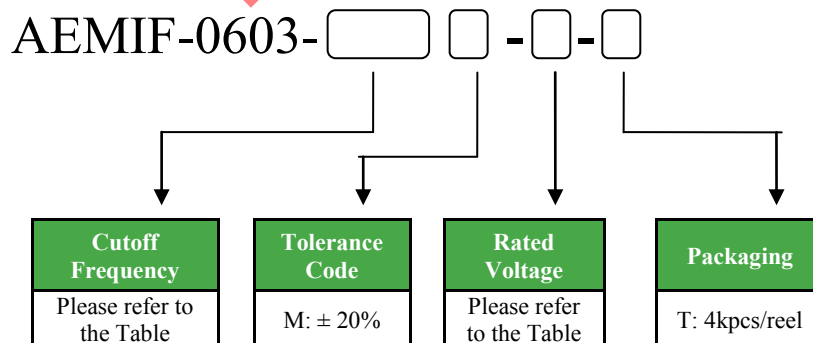
**Storage Temperature**  
-10°C to +40°C, 70% RH max. in tape and reel

Part Number	-3dB Cut-off Frequency	Cut-off Frequency Tolerance	Rated Voltage	Rated Current	Min. Insulation Resistance	Max. DC Resistance	Attenuation
Units	MHz	%	V	mA	MΩ	Ω	dB
AEMIF-0603-401M-16	400	M	16	300	200	0.8	20.0 dB min. at 800-2000 MHz

## Test Equipment

Items	Test Equipment
Cut off Frequency	HP8753E or equivalent
DC Resistance	HP4338 or equivalent
Insulation Resistance	TH2682 or equivalent
Attenuation	HP8753E or equivalent

## PART NUMBER IDENTIFICATION



# 3-Terminal EMI Filter

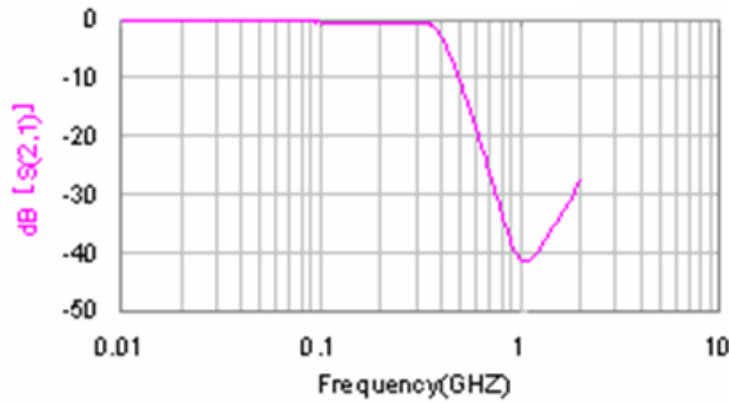
AEMIF-0603

 RoHS/RoHS II Compliant

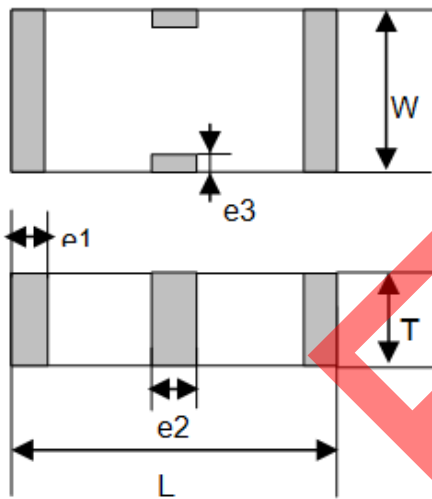


1.6 x 0.8 x 0.6mm

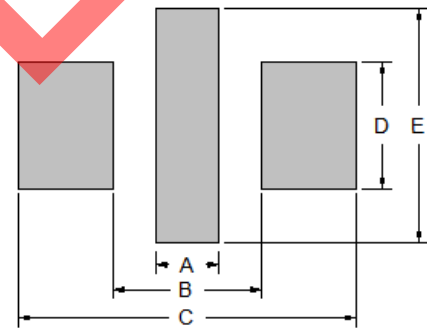
## FREQUENCY CHARACTERISTIC



## OUTLINE DIMENSION:



### Recommended Land Pattern

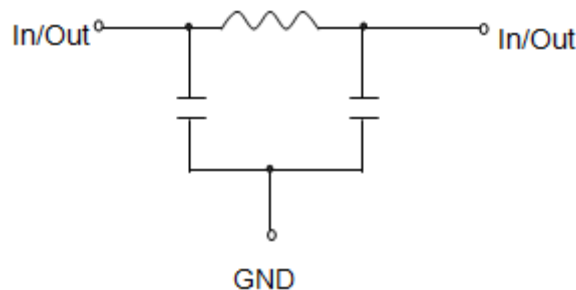


L	W	T	e1	e2	e3
1.6±0.2	0.8±0.2	0.6±0.2	0.2±0.15	0.4±0.2	0.2±0.15

A	B	C	D	E
0.4	1.0	2.2	0.6	1.5

Dimension: mm

## EQUIVALENT CIRCUIT:



No polarity

# 3-Terminal EMI Filter

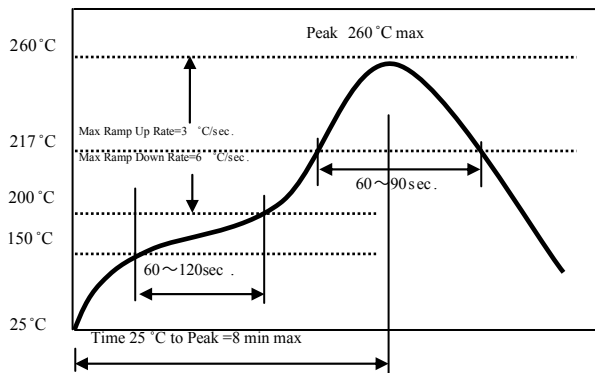
AEMIF-0603

RoHS/RoHS II Compliant



1.6 x 0.8 x 0.6mm

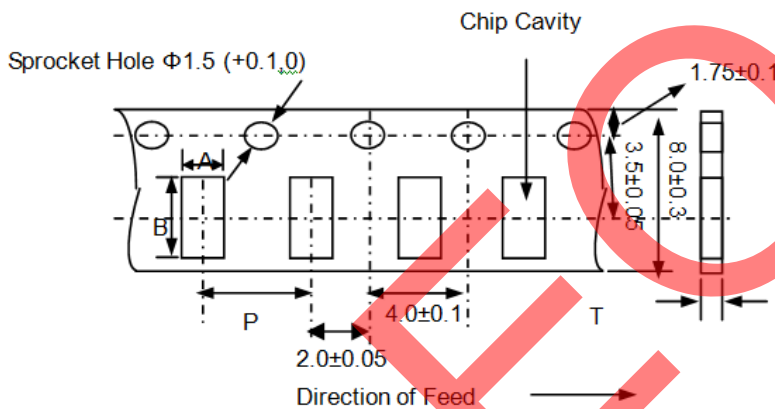
## REFLOW PROFILE:



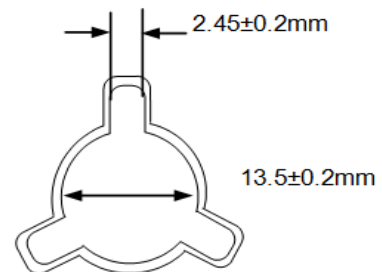
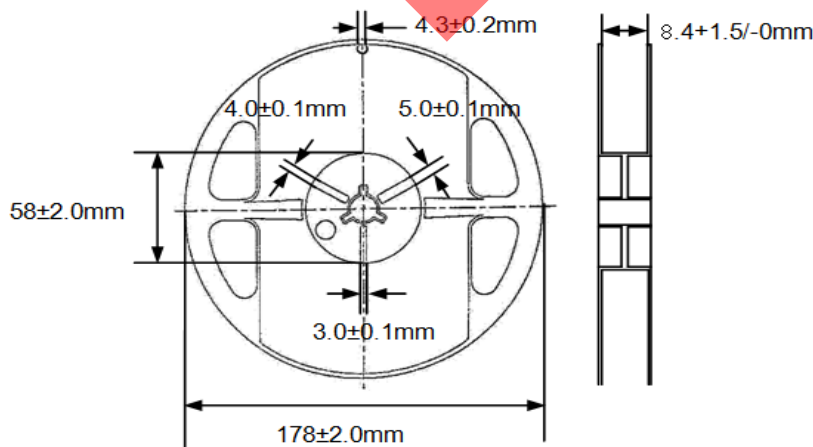
- Preheat condition: 150 ~200°C/60~120sec.
- Allowed time above 217 °C: 60~90sec.
- Max temp: 260 °C
- Max time at max temp: 10sec.
- Solder paste: Sn/3.0Ag/0.5Cu
- Allowed Reflow time: 2x max

## TAPE & REEL

T= tape and reel (4,000pcs/reel)



A	B	P	T max
1.0	1.80	4.0	0.75



Dimension: mm

**ATTENTION:** Abracon Corporation's products are COTS – Commercial-Off-The-Shelf products; suitable for Commercial, Industrial and, where designated, Automotive Applications. Abracon's products are not specifically designed for Military, Aviation, Aerospace, Life-dependant Medical applications or any application requiring high reliability where component failure could result in loss of life and/or property. For applications requiring high reliability and/or presenting an extreme operating environment, written consent and authorization from Abracon Corporation is required. Please contact Abracon Corporation for more information.

ABRACON IS  
ISO 9001:2008  
CERTIFIED



Visit [www.abracon.com](http://www.abracon.com) for Terms & Conditions of Sale **Revised: 07.25.14**  
30332 Esperanza, Rancho Santa Margarita, California 92688  
tel 949-546-8000 | fax 949-546-800 | [www.abracon.com](http://www.abracon.com)