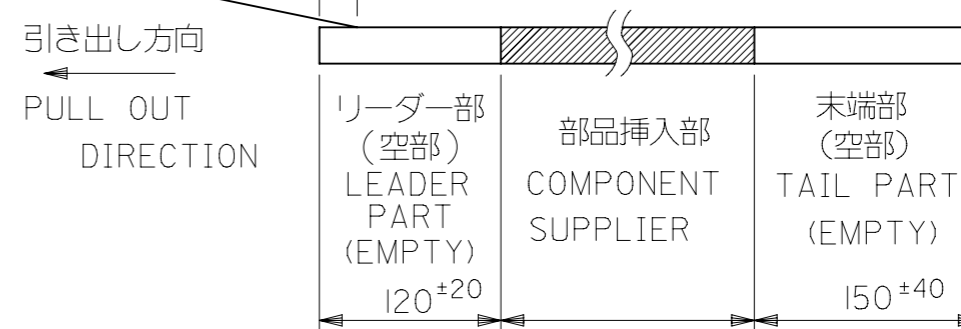
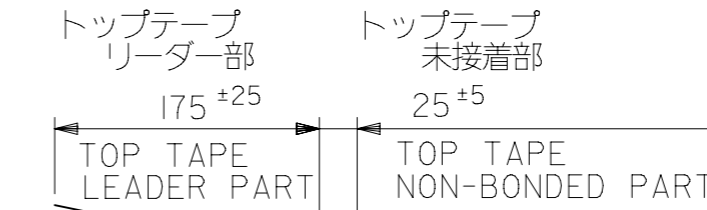


注記 NOTES

1. 製品番号52746-**22の梱包状態はアクチュエータがロックした状態とする。
詳細寸法については図面SD-52746-031を参照下さい。
IN THE PACKAGE, ACTUATOR OF PART NO.52746-**22 SHOULD BE LOCKED
DETAIL DIMENSIONS, SEE SD-52746-031

2. 梱包数量：1000個/リール
NUMBER OF CONNECTORS:1000PCS/REEL

3. リードテープ長さ LEAD TAPE LENGTH

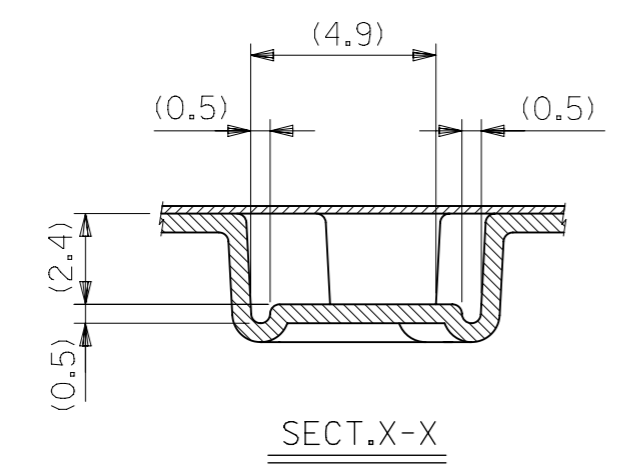
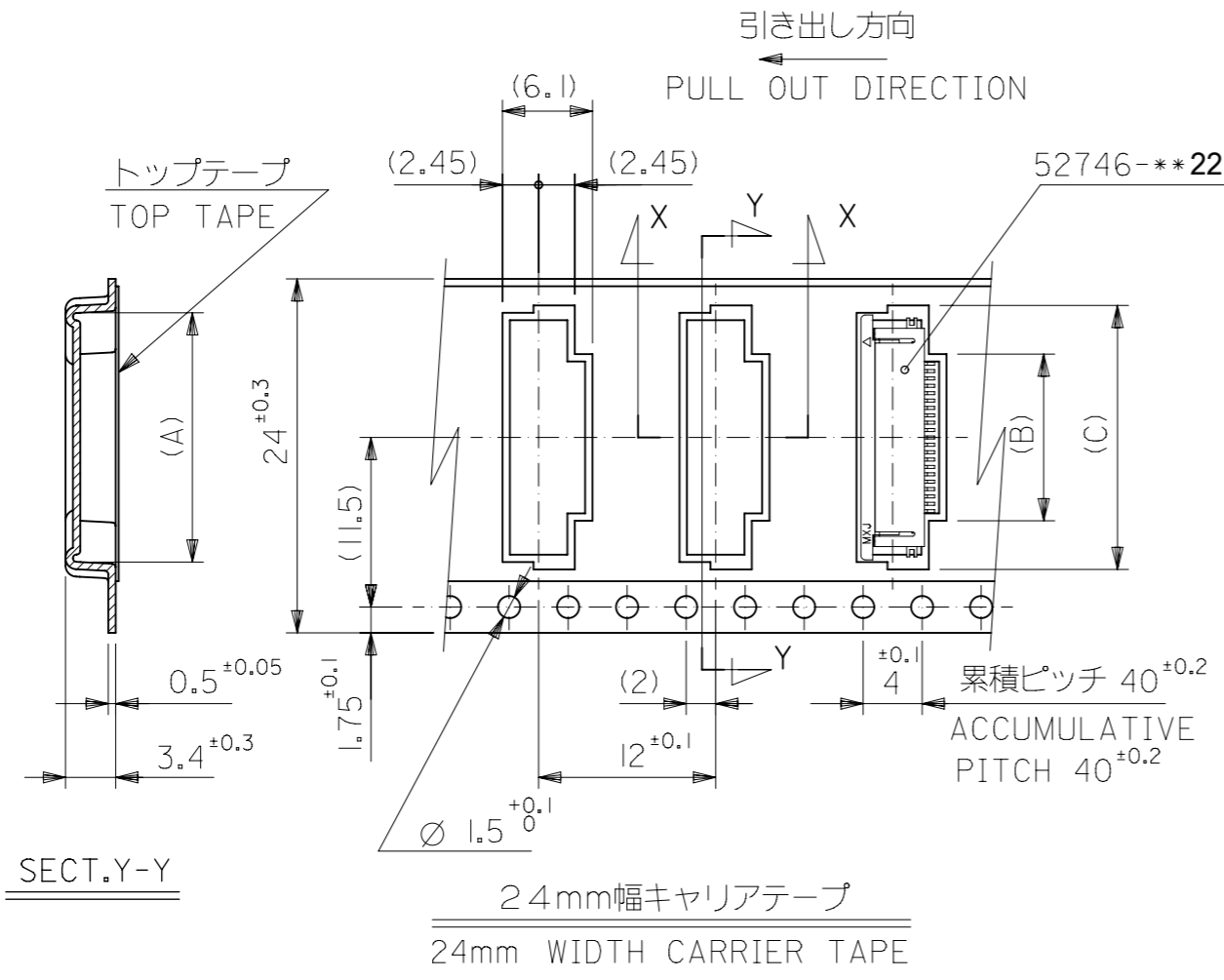


4. トップテープの剥離強度については、IEC60286-3に準拠
TOP TAPE PEEL FORCE IS DEFINED BY IEC60286-3.

5. 材料 キャリアテープ：ポリプロピレン (PP)
トップテープ：PET, PE, PEF
リール：ポリスチレン (PS) <リサイクル材を含む>
MATERIAL CARRIER TAPE:POLYPROPYLENE
TOP TAPE:PET,PE,PEF
REEL:POLYSTYREN(PS)
<RECYCLE MATERIAL CONTAINED>

6. ELV及びRoHS適合品
ELV AND RoHS COMPLIANT

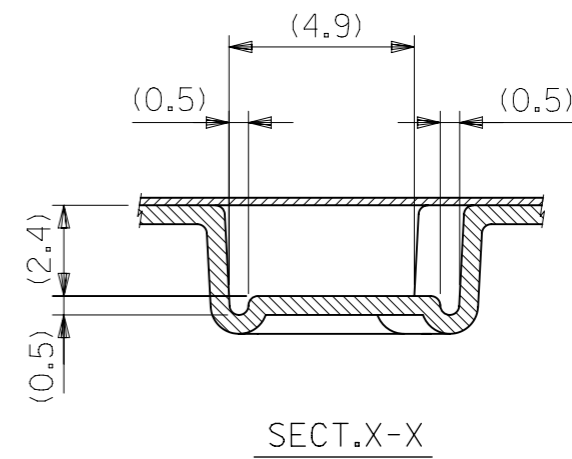
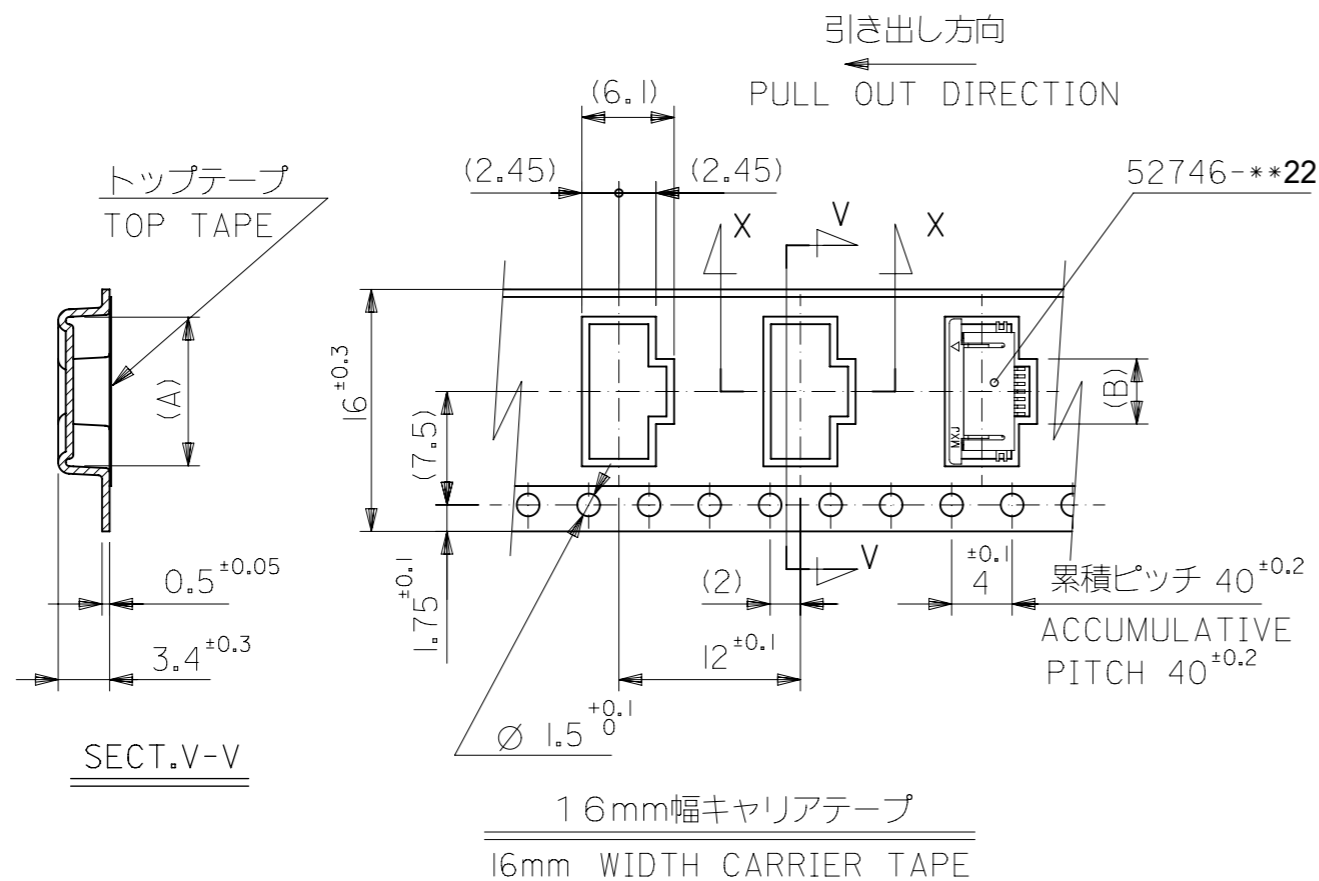
THIS DRAWING CONTAINS INFORMATION THAT IS PROPRIETARY TO MOLEX ELECTRONIC TECHNOLOGIES, LLC AND SHOULD NOT BE USED WITHOUT WRITTEN PERMISSION									
DIMENSION UNITS	SCALE	CURRENT REV DESC: REMOVED OBSOLETE PART NUMBER AS PER PCN#512672.			molex				
mm	NTS								
GENERAL TOLERANCES (UNLESS SPECIFIED)					EMBOSS TAPE PACKAGED FOR 0.5MM FPC CONN ZIF R/A HOUSING ASSY				
ANGULAR TOL	±				PRODUCT CUSTOMER DRAWING				
4 PLACES	±	EC NO: 724799			DOCUMENT NUMBER				
3 PLACES	±	DRWN: SUGEEB		2022/10/21	SD-52746-032				
2 PLACES	±	CHK'D: GGA		2022/11/03	DOC TYPE DOC PART REVISION				
1 PLACE	±	APPR: GGA		2022/11/03	PSD 001 A				
0 PLACES	±	INITIAL REVISION:			SHEET NUMBER				
DRAFT WHERE APPLICABLE MUST REMAIN WITHIN DIMENSIONS		DRWN: KNAGUMO		2012/09/05	SEE TABLE				
		APPR: KMORIKAWA		2013/04/16	GENERAL				
THIRD ANGLE PROJECTION		DRAWING	SERIES	MATERIAL NUMBER	CUSTOMER		SHEET NUMBER		
		A3-SIZE	52746	SEE TABLE	GENERAL		1 OF 3		



24	25.5	17.4	10.8	16.4	52746-2033	20
		16.4	9.8	15.4	-1833	18
		15.9	9.3	14.9	-1733	17
		15.4	8.8	14.4	-1633	16
		14.9	8.3	13.9	-1533	15
		14.4	7.8	13.4	-1433	14
		13.4	6.8	12.4	-1233	12
		12.9	6.3	11.9	-1133	11
		12.4	5.8	11.4	-1033	10
		11.9	5.3	10.9	-0933	9
		11.4	4.8	10.4	-0833	8
		10.9	4.3	9.9	-0733	7
10.4	3.8	9.4	52746-0633	6		
キャリアテープ幅 CARRIER TAPE WIDTH	D	(C)	(B)	(A)	MATERIAL NO.	極数 CIRCUIT

THIS DRAWING CONTAINS INFORMATION THAT IS PROPRIETARY TO MOLEX ELECTRONIC TECHNOLOGIES, LLC AND SHOULD NOT BE USED WITHOUT WRITTEN PERMISSION

DIMENSION UNITS mm	SCALE NTS	CURRENT REV DESC: REMOVED OBSOLETE PART NUMBER AS PER PCN#512672.	molex			
GENERAL TOLERANCES (UNLESS SPECIFIED)		EC NO: 724799				EMBOSS TAPE PACKAGED FOR 0.5MM FPC CONN ZIF R/A HOUSING ASSY
ANGULAR TOL ±	°	DRWN: SUGEEB	PRODUCT CUSTOMER DRAWING			
4 PLACES ±		CHK'D: GGA	DOCUMENT NUMBER			
3 PLACES ±		APPR: GGA	DOC TYPE			
2 PLACES ±		INITIAL REVISION:	DOC PART			
1 PLACE ±		DRWN: KNAGUMO	REVISION			
0 PLACES ±		APPR: KMORIKAWA	SD-52746-032			
DRAFT WHERE APPLICABLE MUST REMAIN WITHIN DIMENSIONS	THIRD ANGLE PROJECTION	DRAWING	SERIES	MATERIAL NUMBER	CUSTOMER	SHEET NUMBER
		A3-SIZE	52746	SEE TABLE	GENERAL	2 OF 3



16	17.5	2.8	8.4	52746-0433	4
キャリアテープ幅 CARRIER TAPE WIDTH	D	(B)	(A)	MATERIAL NO.	極数 CIRCUIT

THIS DRAWING CONTAINS INFORMATION THAT IS PROPRIETARY TO MOLEX ELECTRONIC TECHNOLOGIES, LLC AND SHOULD NOT BE USED WITHOUT WRITTEN PERMISSION					
DIMENSION UNITS mm	SCALE NTS	CURRENT REV DESC: REMOVED OBSOLETE PART NUMBER AS PER PCN#512672.			
GENERAL TOLERANCES (UNLESS SPECIFIED)		molex EMBOSS TAPE PACKAGED FOR 0.5MM FPC CONN ZIF R/A HOUSING ASSY			
ANGULAR TOL	± °				
4 PLACES	±	EC NO: 724799	2022/10/21		
3 PLACES	±	DRWN: SUGEEB	2022/11/03		
2 PLACES	±	CHK'D: GGA	2022/11/03		
1 PLACE	±	APPR: GGA	2022/11/03		
0 PLACES	±	INITIAL REVISION:		DOCUMENT NUMBER	DOC TYPE DOC PART REVISION
DRAFT WHERE APPLICABLE MUST REMAIN WITHIN DIMENSIONS		DRWN: KNAGUMO	2012/09/05	SD-52746-032	PSD 001 A
THIRD ANGLE PROJECTION		APPR: KMORIKAWA	2013/04/16	MATERIAL NUMBER	CUSTOMER
		DRAWING	SERIES	SEE TABLE	GENERAL
		A3-SIZE	52746	SHEET NUMBER 3 OF 3	