

Lighting Controls

Rocker Slide Dimmer

DATE:	LOCATION:
TYPE:	PROJECT:
CATALOG #:	

FEATURES

- Rocker switch with slender dimmer control slide bar
- Integrated linear full-range slide control for easy, precise operation
- Separate ON/OFF switch that preserves the selected brightness setting
- Provides single pole (one location) or 3-way (two location) lighting control when paired with a 3-way switch
- Trim adjustment for fine tuning
- Slim, compact housing fits easily into a standard wallbox



RSD0108

RSD300



SPECIFICATIONS

ELECTRICAL

RSD0108-UNV

- 10A@120VAC-60Hz
- 5A@277VAC-60Hz
- No neutral required
- Single Pole/3-way
- 0-10V Control

RSD300-120

- 120VAC-60Hz
- 600W Incandescent/Halogen
- 300W LED/CFL (2.5A)
- No neutral required
- Single Pole/3-way
- Toggable Locator Light
- Forward Phase Control
- Load Ratings:
 - Single gang
 - 600W Incandescent
 - 300W (2.5A) LED/CFL
 - 2-gang
 - 500W Incandescent
 - 300W (2.5A) LED/CFL

3-gang or more

- 400W Incandescent
- 300W (2.5A) LED/CFL

RSDE06-120-WVL

- 120VAC-60Hz
- 300W LED/CFL
- ELV 600VA
- Neutral required
- Single Pole/3-way
- Reverse Phase Mosfet Control
- Load Ratings:
 - Single gang
 - 480W (4A)
 - 2-gang
 - 480W (4A)
 - 3-gang or more
 - 480W (4A)

MOUNTING

- Single-gang NEMA-style switch box (standard wall switch box)
- Decorator-style wall plate sold separately

COLOR

- Available in White, Ivory, and Light Almond

OPERATING ENVIRONMENT

Operating Temperature:

- RSD0108: 0°C to 40°C (32°F to 104°F)
- RSD300: -20°C to 40°C (-4°F to 104°F)
- RSDE06: 0° to 55°C (32°F to 131°F)

INSTALLATION

- RSD300: Use with compatible dimmable LED, CFL bulbs, incandescent or 120V halogen fixtures only
- Sharing a neutral wire may cause flickering. Connect all devices to the same phase or run a separate neutral to each phase. Consult Tech Line if problems persist

CERTIFICATIONS

- cULus, UL 1472, Title 24, NEMA SSL 7A

WARRANTY

- 1 year warranty

ORDERING GUIDE

CATALOG #

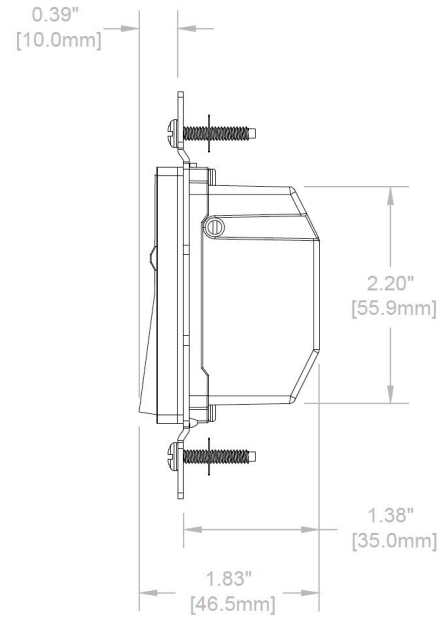
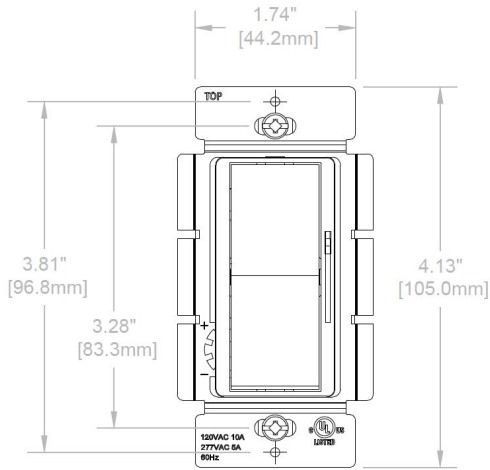
Models	Color
RSD300-120 Rocker-Slide Dimmer for Dimmable LED, CFL and Incandescent, Locator Light, 600W@120VAC Incandescent, 300W@120VAC Dimmable LED and CFL, 60Hz, Single Pole or 3-Way.	WH White IV Ivory LA Light Almond
RSD0108-UNV Rocker-Slide Dimmer for 0-10V LED Drivers and Fluorescent and HID Ballasts, 10A@120VAC, 5A@277VAC, 60Hz, Single Pole or 3-Way.	WVL¹ White with Ivory & Light Almond Color Change Kits
RSDE06-120 Rocker-Slide Dimmer for Electronic Low Voltage, Dimmable LED and CFL, 600VA@120VAC Electronic Low Voltage, 300W@120VAC Dimmable LED and CFL, 60Hz, Neutral Required, Single Pole or 3-Way - White, Ivory & Light Almond	Color WH White IV Ivory LA Light Almond GY Gray BK Black BN Brown RD Red
COLOR KIT Model	
RSDKIT-NL Rocker-Slide Dimmer Color Change Kit for RSDE06 Dimmer	
Notes	
1 WVL option only available for RSDE06-120	

Lighting Controls

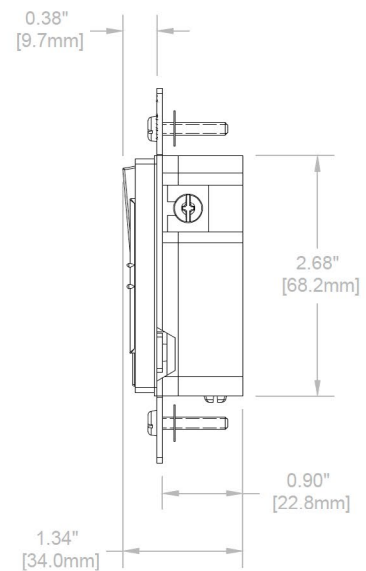
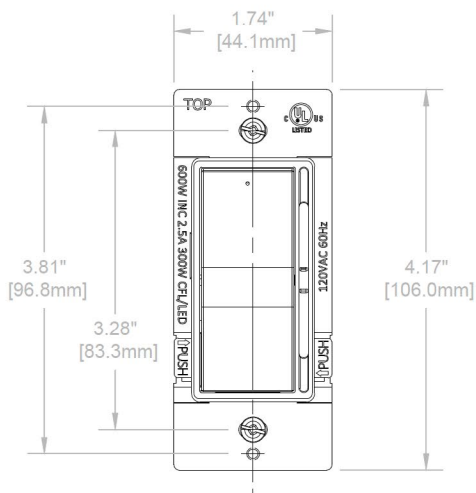
Rocker Slide Dimmer

DIMENSIONS

RSD0108



RSD300

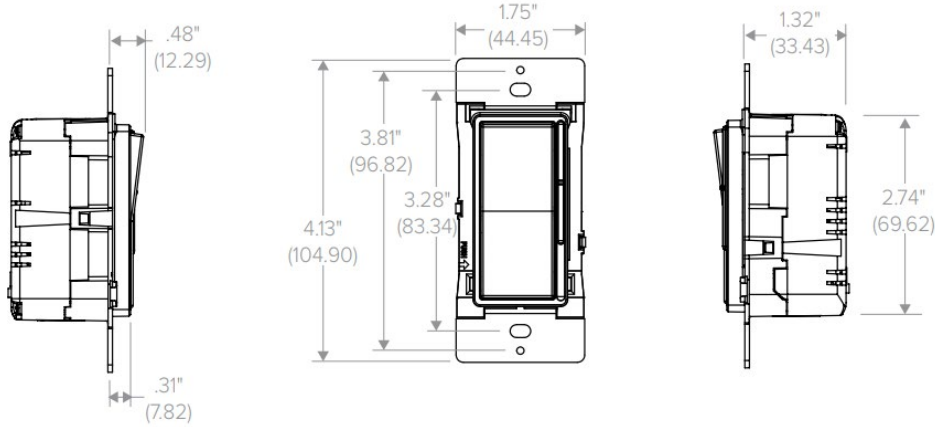


Lighting Controls

Rocker Slide Dimmer

DIMENSIONS CONTINUED

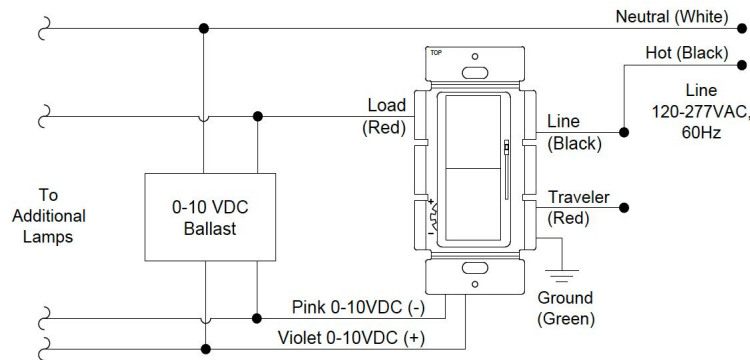
RSDE06



WIRING DIAGRAMS

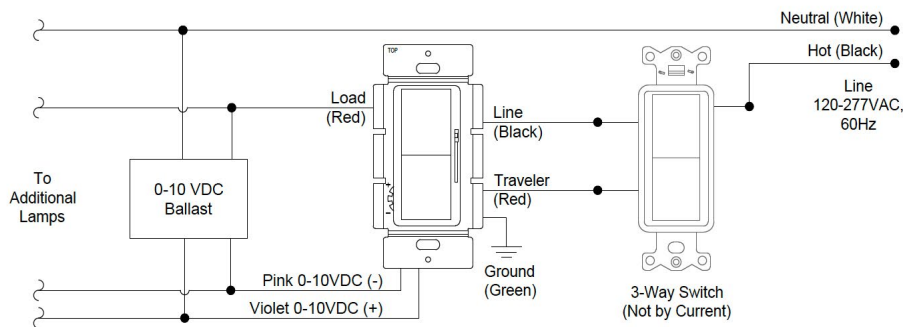
RSD0108

SINGLE-POLE



Pink wire replaces previous gray wire. Units with a gray instead of pink wire should be wired as the pink wire shown in the diagram.

3-WAY

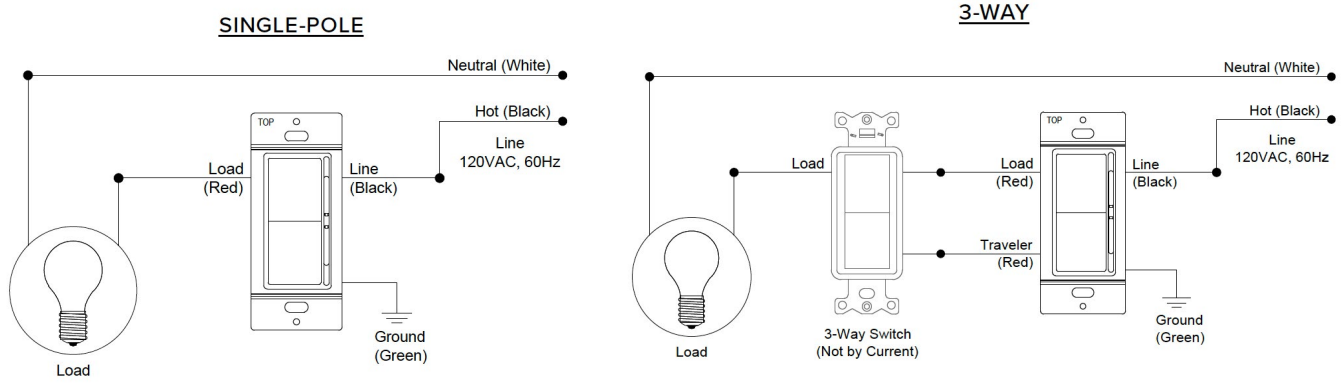


Lighting Controls

Rocker Slide Dimmer

WIRING DIAGRAMS (CONTINUED)

RSD300



RSDE06

