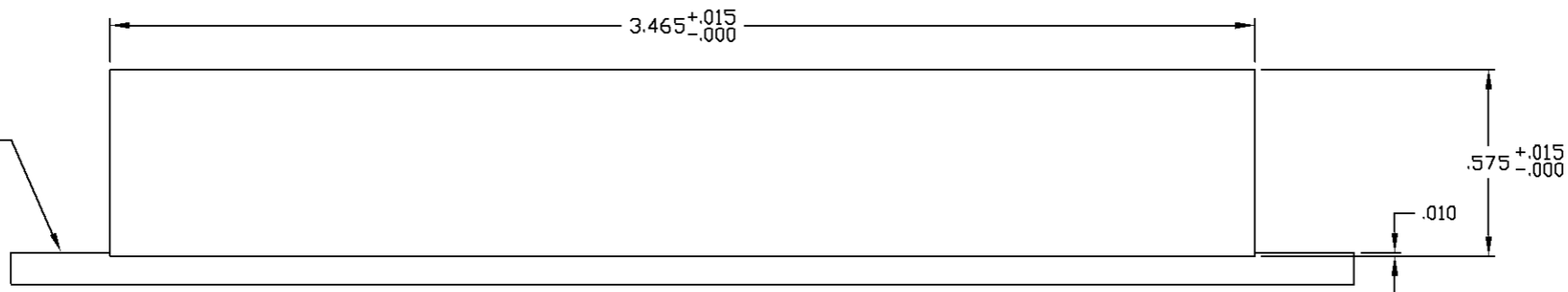
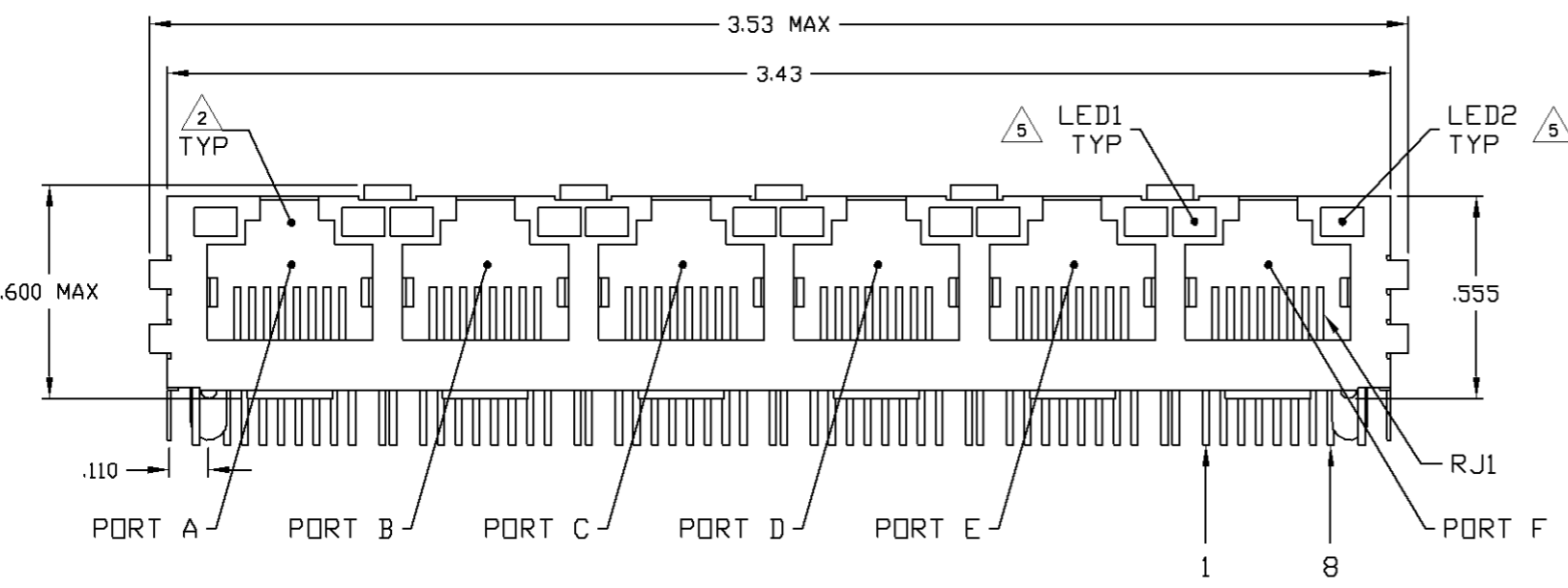
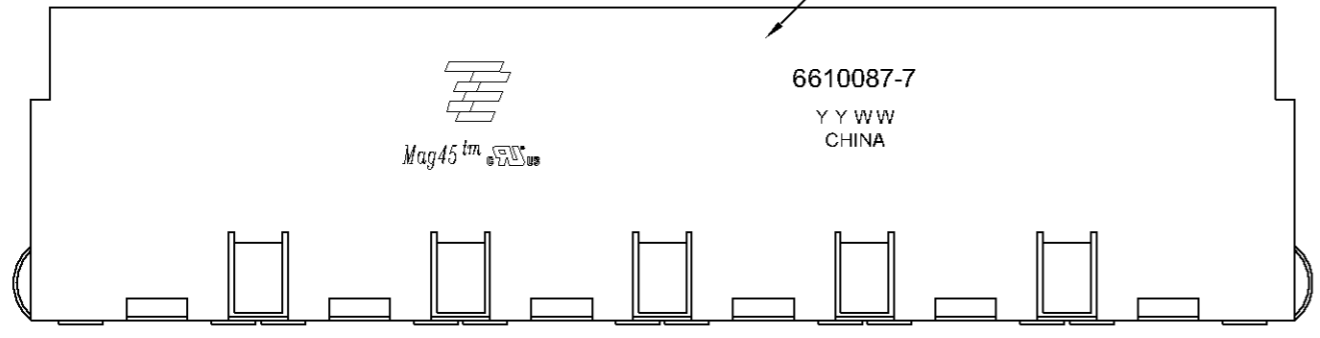


THIS DRAWING IS UNPUBLISHED. RELEASED FOR PUBLICATION BY TYCO ELECTRONICS CORPORATION. ALL RIGHTS RESERVED.

LOG	REV	DESCRIPTION	DATE	BY	APPD
AA	22				
C	REV PER ECO-08-024004		02SEP2008	VL	TX

MECHANICAL:



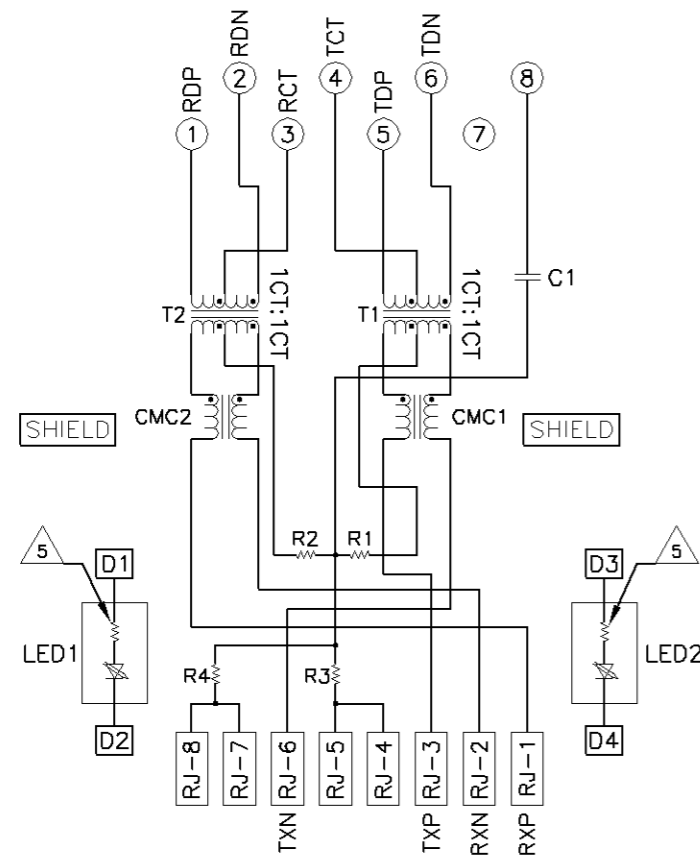
1X6 SUGGESTED PANEL CUTOUT

- 1. MATERIALS:
 -HOUSING - THERMOPLASTIC PET POLYESTER FLAMMABILITY RATING UL 94V-0.
 -SHIELD - .010" THICK, C26800 BRASS PREPLATED WITH 30µINCH MIN SEMI-BRIGHT NICKEL. SOLDER TABS POST DIPPED WITH 100µINCH MIN SAC SOLDER.
 -MOD JACK CONTACTS - 0.0157 X 0.018" PHOSPHOR BRONZE, 50µINCH MIN OVERALL NICKEL UNDERPLATE WITH SELECT 50µINCH MIN HARD GOLD FINISH PLATE. SOLDER TAILS WITH 100µINCH MIN MATTIE TIN AND/OR SAC SOLDER DIP.
 -LIGHT EMITTING DIODE(LED) - DIFFUSED EPOXY LENS, .020" X .020" CARBON STEEL WIREFRAME LEADS PRE-PLATED WITH 80µINCH SILVER OVER 40µINCH NICKEL UNDERPLATE OVER 40µINCH COPPER UNDERPLATE. POST-PLATED WITH 100µIN MIN MATTIE TIN AND/OR SAC SOLDER DIP OR PURE TIN SOLDER DIP.
- 2. RJ45 JACK CAVITY CONFORMS TO FCC RULES AND REGULATIONS PART 68, SUB PART F.
- 3. MAGNETICS
 -IMPEDANCE: 100 OHMS
 -TURNS RATIO (KHP:TABLE): TX = 1:1, RX = 1:1
 -OPEN CIRCUIT INDUCTANCE (OCIL): 350µH MIN @100kHz, 0.1VRMS, 9mADC BIAS FROM 0°C TO 70°C, TX AND RX
 -PERFORMANCE @ 25°C:
 INSERTION LOSS (IL): 1.1dB MAX FROM 0.5MHz TO 100MHz
 RETURN LOSS (RL): 18dB MIN FROM 0.5MHz TO 30MHz
 18-20LOG(f/30)dB MIN FROM 30 MHz TO 60MHz
 12dB MIN FROM 60.1MHz TO 80MHz
 CROSSTALK ATTENUATION: 35dB MIN FROM 0.5MHz TO 40MHz
 33-20*LOG(f/50)dB MIN FROM 40.1MHz TO 100MHz
 COMMON MODE REJECTION RATIO (CMRR): 30dB MIN FROM 0.5MHz TO 100MHz
 -ISOLATION VOLTAGE: COMPLIES WITH IEEE802.3 2002, PARA 23.5.1.1, ITEM b.
- 4. OPERATING TEMPERATURE: FROM 0°C TO +70°C.
- 5. THE 250 OHM LED RESISTORS ARE OPTIONAL, PLEASE SEE CHART FOR PRESENCE OR ABSENCE OF LED RESISTORS. IF THE LED WITHOUT 250 OHM RESISTORS, LED IS DRIVEN WITH CONSTANT CURRENT AT APPROX 20mA.
 LED COLOR: DOMINANT WAVELENGTH (λD): GREEN 568 nm TYP. @ IF=20mA
 FORWARD VOLTAGE (VF): GREEN 2.2V TYP. @ IF=20mA
 IF THE LED WITH 250 OHM RESISTORS, LED IS DRIVEN WITH 5V VOLTAGE AND THE MAX OPERATING CURRENT IS 20mA.
 LED COLOR: DOMINANT WAVELENGTH (λD): GREEN 568 nm TYP. @ VF=5V
 FORWARD CURRENT (IF): GREEN 12 mA TYP. @ VF=5V
- 6. INDICATED CONNECTIONS ARE FOR HUB CONFIGURATION. THE MAGNETICS ARE SYMMETRICAL AND SUPPORT AUTO-MDIX/MDIX.
- 7. TYCO ELECTRONICS LOGO, PART NUMBER, DATE CODE, COUNTRY OF ORIGIN AND AGENCY APPROVAL MARKING IN APPROXIMATE LOCATION SHOWN.
- 8. THESE PARTS ARE RECOMMENDED FOR WAVE SOLDERING PROCESS. PREHEAT TEMPERATURE IS 120°C TO 160°C, 120 SECONDS TO 180 SECONDS, PEAK WAVE SOLDERING TEMPERATURE IS 260°C MAX, 10 SECONDS MAX.

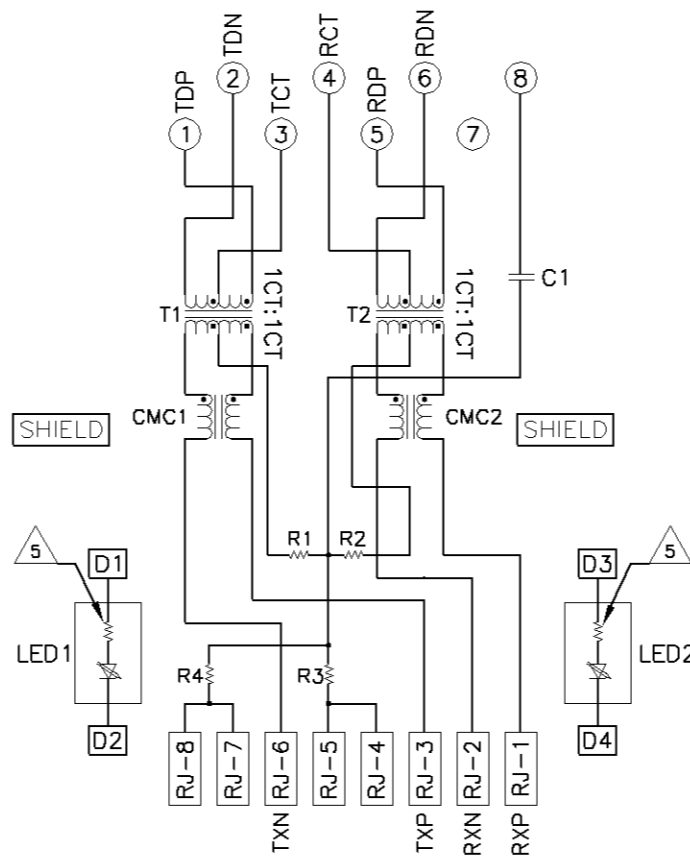
YES	GREEN	YES	GREEN	6-6610087-1
NO	GREEN	NO	GREEN	6610087-7
250 OHMS RESISTOR	LED1	250 OHMS RESISTOR	LED2	PART NUMBER

THIS DRAWING IS A CONTROLLED DOCUMENT.		REV L VARELA - 000000	DATE 17MAR2009	BY Tyco Electronics	APPROVED Tyco Electronics Corporation
DIMENSIONS: INCHES		REV D FAROLE	DATE 17MAR2009	ChangPing, China	
TO CHANGE UNLESS OTHERWISE SPECIFIED:		REV E FAROLE	DATE 17MAR2009	1X6 MAG45(TM) MODULAR JACK, 7K1 SCHEMATIC, 766 SERIES MAG CIRCUIT, DECOUPLING CAPACITOR, SHIELDED, WITH LEDS	
0 PLC	± -	REV F	DATE 17MAR2009	SIZE A1	CAGE CODE 00779
1 PLC	± .010	REV G	DATE 17MAR2009	SCALE 4:1	SHEET 1 OF 2
2 PLC	± .010	REV H	DATE 17MAR2009	REV C	
3 PLC	± .008	REV I	DATE 17MAR2009		
4 PLC	± .008	REV J	DATE 17MAR2009		
MATERIAL	△	REV K	DATE 17MAR2009		
FRESH	△	REV L	DATE 17MAR2009		
CUSTOMER DRAWING		PART NUMBER 6610087		RESTRICTED TO	

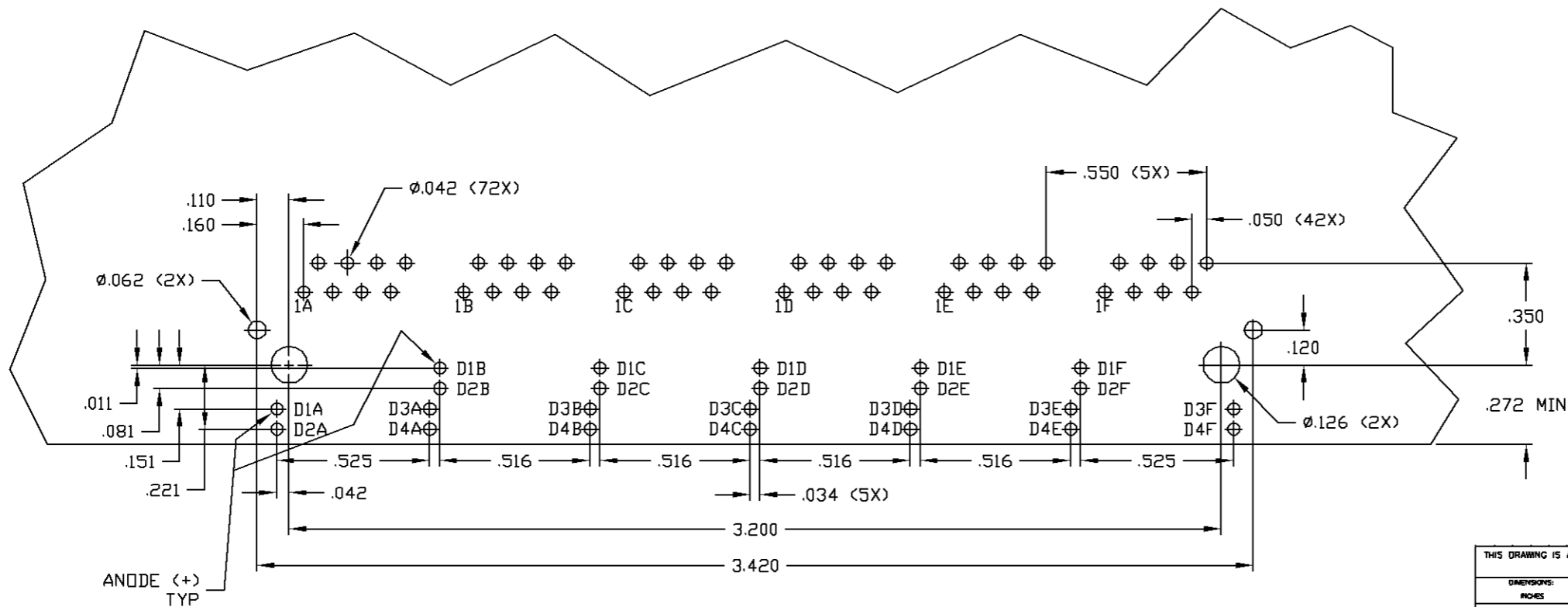
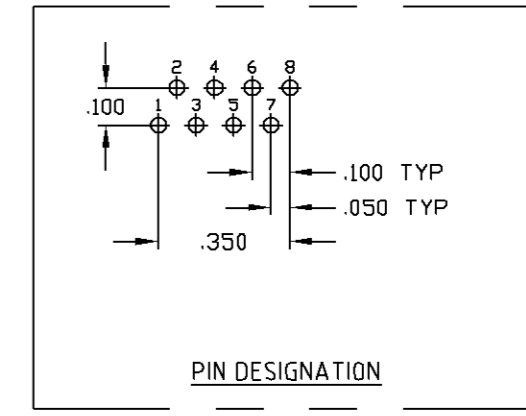
766K1 SERIES MAGNETIC CIRCUIT $\triangle 3 \triangle 6$
PORTS A,C,E



766K1 SERIES MAGNETIC CIRCUIT $\triangle 3 \triangle 6$
PORTS B,D,F



C1 = 1000pF, 3 kV CAPACITOR
R1-R4 = 75 OHMS, 1/16W RESISTORS



SUGGESTED PCB LAYOUT
(COMPONENT SIDE)

THIS DRAWING IS A CONTROLLED DOCUMENT.		DRG NO. 179442003	REV. 1	DATE 179442003	BY L. VARELA	APPD. D. FAROLE	NAME D. FAROLE	DATE 179442003	REV. 1	DESCRIPTION 1X6 MAG45(TN) MODULAR JACK, 7K1 SCHEMATIC, 766 SERIES MAG CIRCUIT, DECOUPLING CAPACITOR, SHIELDED, WITH LEADS
DIMENSIONS: INCHES		TOLERANCES UNLESS OTHERWISE SPECIFIED:		MATERIAL		FINISH		WEIGHT		SCALE 4:1
0	PLC	±	-							SHEET 2 OF 2
1	PLC	±	.010							
2	PLC	±	.005							
3	PLC	±	.002							
CUSTOMER DRAWING		DRAWING NO. A100779		C=6610087		REV. C				