

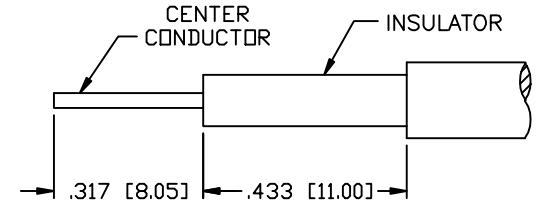
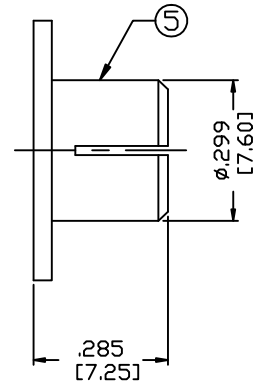
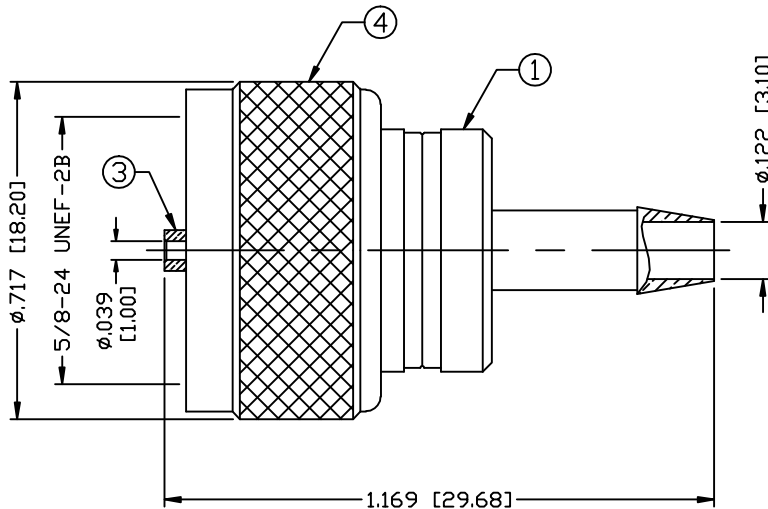
SPECIFICATIONS:

IMPEDANCE: NON CONSTANT
 FREQUENCY RANGE: 0-300 MHz
 WORKING VOLTAGE: 500 V rms max. @ sea level
 FOR RG-58, 58A, 58C, 141, 141A, BELDEN 8240, 9907
 8259, 8262, 9201, 9203, 9310, 9311 & COMM/SCOPE 0268

PART NO.

RFU-504

REV	DESCRIPTION	DWN	DATE	APPROVED
A	ENGINEERING RELEASE	CZS	7/21/98	R. RICE
B	CHANGE DWG FORMAT, SPECS, STRIPING & DWG#, WAS 8938	CZS	02/29/08	JDMc



RECOMMENDED STRIPPING DIMENSIONS

RECOMMENDED CRIMP DIE: .068"

1	BODY	1	BRASS	NICKEL, 100μ"
2	INSULATOR	1	DAP	---
3	CONTACT	1	BRASS	SILVER, 80μ"
4	SHELL	1	BRASS	NICKEL, 100μ"
5	FERRULE	1	BRASS	NICKEL, 100μ"
6				
7				
8				
9				
10				
11				
12				
13				
14				
#	DESCRIPTION	QTY	MATERIAL	FINISH

CUSTOMER OUTLINE DRAWING	
ALL DIMENSIONS ARE REFERENCE ONLY	
DRAWN	C. ZUNIGA
CHECKED	02/29/08
ORJ DRAWN	C. ZUNIGA
DATE	7/21/98
APPROVALS	DATE

R O H S
COMPLIANT

THIS DRAWING CONTAINS INFORMATION PROPRIETARY TO RF INDUSTRIES. ANY UNAUTHORIZED USE OF THIS DRAWING IS EXPRESSLY PROHIBITED WITHOUT WRITTEN PERMISSION FROM RF INDUSTRIES. ANY VIOLATION IS PUNISHABLE UNDER U.S. COPYRIGHT LAWS.

RF connectors
DIVISION OF RF INDUSTRIES, LTD.

7610 MIRAMAR RD
SAN DIEGO, CA 92126
(858) 549-6340
(858) 549-6345 FAX

UHF PLUG / PL-259
WITH PUSH-ON FERRULE

SIZE	CABLE GROUP	DWG NO.	REV
A	C	RFU-504	B
SCALE:	NTS	ENGINEERING ID	000494
		SHEET	1 OF 1