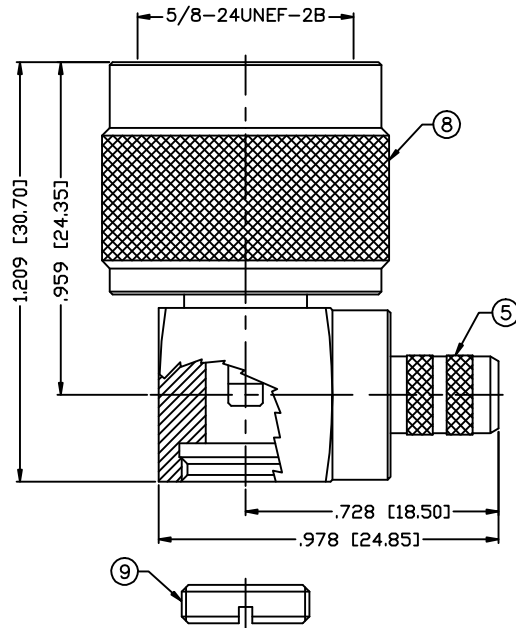


THIS DRAWING CONTAINS INFORMATION PROPRIETARY TO RF INDUSTRIES,
 ANY UNAUTHORIZED USE OF THIS DRAWING IS EXPRESSLY PROHIBITED
 WITHOUT WRITTEN PERMISSION FROM RF INDUSTRIES.
 ANY VIOLATION IS PUNISHABLE UNDER U.S. COPYRIGHT LAWS.

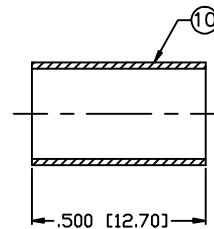
PART NO.

RFN-1009-X-04

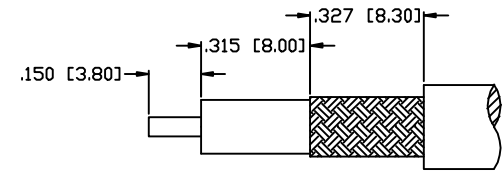
REV	DESCRIPTION	DWN	DATE	APPROVED
-	ENGINEERING RELEASE	CZS	3/27/01	JDMc
A	CHANGE DESIGN	CZS	09/09/03	JDMc



ALL DIMENSIONS ARE REFERENCE ONLY



RECOMMENDED CRIMP DIE: .255"



RECOMMENDED STRIPPING DIMENSIONS

SPECIFICATIONS:

IMPEDANCE: 50 Ohms
 FREQUENCY RANGE: 0-7 GHz
 VSWR: 1.5 Max. @ 9 GHz
 WORKING VOLTAGE: 1k V rms @ sea level
 TEMPERATURE RANGE: -65°C TO 85°C
 INSULATION RESISTANCE: 5k M Ohms min.
 FOR RG-8/X, BELDEN 9258, MAXRAD M8X-100 &
 M8X-1000, MICRO 8/U, REMEE 1600, SAXTON 8315 &
 TIMES LMR-240 & LMR-240 ULTRAFLEX CABLE

NOTE: ATTACH CABLE TO CONNECTOR BY
 SOLDERING THE CABLE INNER CONDUCTOR
 TO THE PIN SLOT INSIDE THE CONNECTOR

1	BODY	1	BRASS	NICKEL, 100μ"
2	INSULATOR	1	PTFE	---
3	GROUND RING	1	BRASS	NICKEL, 100μ"
4	PIN	1	BRASS	GOLD, 3μ"
5	FERRULE STUD	1	BRASS	NICKEL, 100μ"
6	RETAINING RING	1	SUS 304	---
7	GASKET	1	SILICONE	---
8	SHELL	1	BRASS	NICKEL, 100μ"
9	SCREW CAP	1	BRASS	NICKEL, 100μ"
10	FERRULE	1	BRASS	NICKEL, 100μ"
11				
12				
13				
14				

008974	
DRAWN C. ZUNIGA	5/3/06
CHECKED	
ORJ DRAWN C. ZUNIGA	8/8/03

UNLESS OTHERWISE SPECIFIED:
 1. REMOVE ALL BURRS
 2. BREAK ALL CORNERS & EDGES .005 R. MAX.
 3. CHAMFER 1ST & LAST THREADS 45°
 4. SURFACE ROUGHNESS 63 FINISH MIL-STD-10
 5. DIAMETERS ON COMMON CENTERS TO BE CONCENTRIC WITHIN .002 T.I.R.
 6. ALL DIMENSIONS ARE AFTER PLATING.

DIMENSIONS ARE IN INCHES AND [MILLIMETERS]
 UNLESS OTHERWISE NOTED TOLERANCES ARE:

DECIMALS	DIAMETER
.xxx±.003 [.08]	.xxx±.001 [.03]
.xx±.005 [.13]	.xx±.003 [.08]

RFconnectors 7610 MIRAMAR RD
 SAN DIEGO, CA 92126
 (858) 549-6340
 DIVISION OF RF INDUSTRIES, LTD. (858) 549-6345 FAX

N PLUG, CRIMP

RIGHT ANGLE

SIZE	CABLE GROUP	DWG NO.	REV
A	X	RFN-1009-X-04	A