

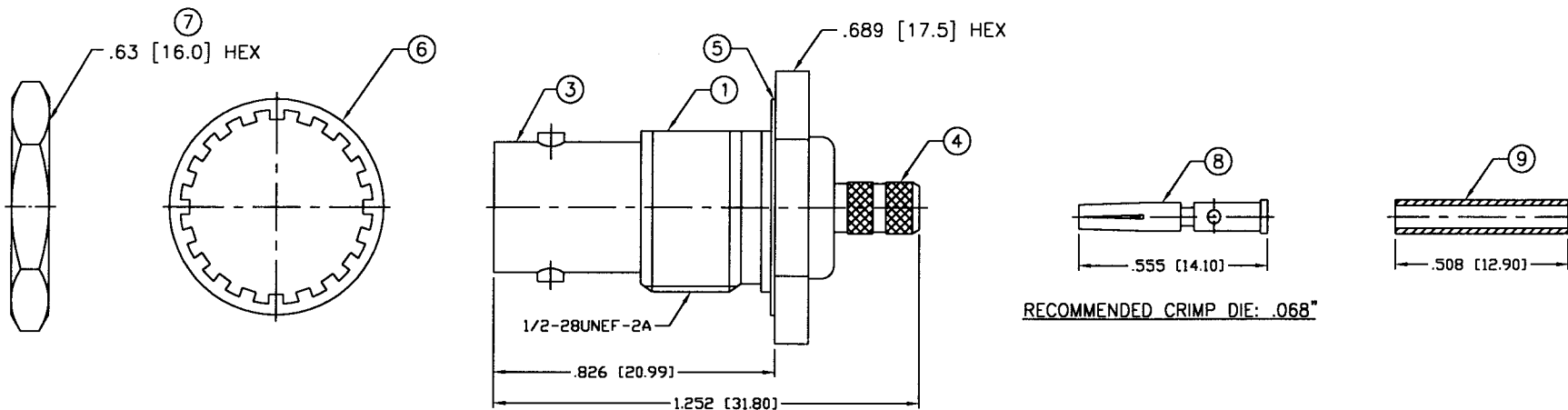
THIS DRAWING CONTAINS INFORMATION PROPRIETARY TO RF INDUSTRIES.
 ANY UNAUTHORIZED USE OF THIS DRAWING IS EXPRESSLY PROHIBITED
 WITHOUT WRITTEN PERMISSION FROM RF INDUSTRIES.
 ANY VIOLATION IS PUNISHABLE UNDER U.S. COPYRIGHT LAWS.

ALL DIMENSIONS ARE REFERENCE ONLY

PART NO.

RFB-1117-BT-03

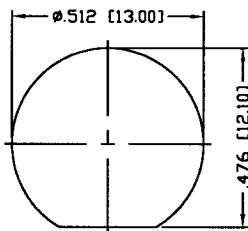
REV	DESCRIPTION	DWN	DATE	APPROVED
A	ENGINEERING RELEASE	CZS	8/4/98	R. RICE
B	CONNECTOR NOW WILL ACCEPT MAX PANEL THICKNESS OF .140	CZS	9/3/98	R. RICE
C	CHG DIMS THROUGHOUT, FORMAT, STRIPING & DWG # 8951B	CZS	1/31/02	JDMc
D	CHANGE INSERT LENGTH (ITEM #9)	CZS	11/17/03	JDMc



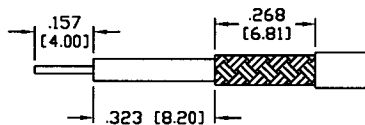
MAX. PANEL THICKNESS: .256"

SPECIFICATIONS:

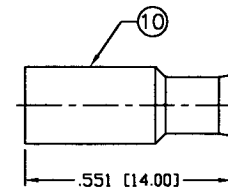
IMPEDANCE: 50 Ohms
 FREQUENCY RANGE: 0-4 GHz
 VSWR: 1.3 Max.
 WORKING VOLTAGE: 500 V rms @ sea level
 TEMPERATURE RANGE: -65°C TO 85°C
 INSULATION RESISTANCE: 5k M Ohms min.
 FOR RG-174, 188, 188A, 316/U, ALPHA 9174,
 9316 BELDEN 8216, 83269, 83284, 84316
 & TIMES LMR-100A CABLE



RECOMMENDED MOUNTING HOLE



RECOMMENDED STRIPPING DIM'S



RECOMMENDED CRIMP DIE: .178"

1	BODY	1	BRASS	NICKEL, 100μ"	008974	
2	INSULATOR	1	PTFE	---		
3	PRESS BODY	1	BRASS	NICKEL, 100μ"		
4	FERRULE STUD	1	BRASS	NICKEL, 100μ"		
5	GASKET	1	RUBBER	---		
6	WASHER	1	BRASS	NICKEL, 100μ"		
7	HEX NUT	1	BRASS	NICKEL, 100μ"		
8	CONTACT	1	PHOS BRONZE	GOLD, 3μ"		
9	INSERT	1	DELTRIN	---		
10	FERRULE	1	BRASS	NICKEL, 100μ"		
11						
12						
13						
14						
#	DESCRIPTION	QTY	MATERIAL	FINISH	APPROVALS	DATE

DRAWN
C. ZUNIGA
CHECKED
ORJ DRAWN
C. ZUNIGA

11/17/03
8/4/98

UNLESS OTHERWISE SPECIFIED:

DIMENSIONS ARE IN INCHES
 AND [MILLIMETERS]
 UNLESS OTHERWISE NOTED
 TOLERANCES ARE:
 DECIMALS DIAMETER

RFconnectors
 DIVISION OF RF INDUSTRIES, LTD.

7610 MIRAMAR RD
 SAN DIEGO, CA 92126
 (858) 549-6340
 (858) 549-6345 FAX

BNC JACK, CRIMP

BULKHEAD, WITH PANEL SEAL GASKET

SIZE	CABLE GROUP	DWG NO.	REV
A	B	RFB-1117-BT-03	D

SCALE: NTS

CAD FILE OUTLINE

SHEET 1 OF 1