

MATERIALS AND FINISHES

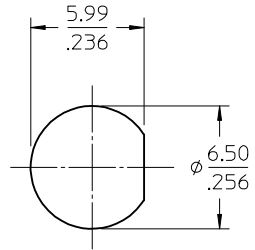
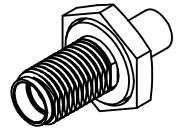
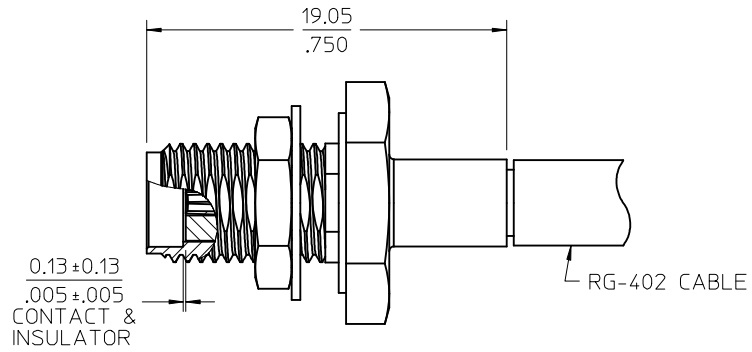
BODY, JAM NUT: BRASS
PLATED GOLD

CENTER CONTACT: BERYLLIUM COPPER
PLATED GOLD

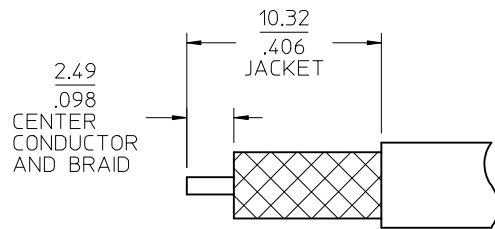
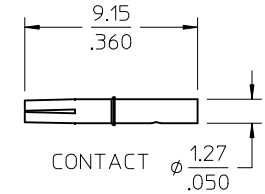
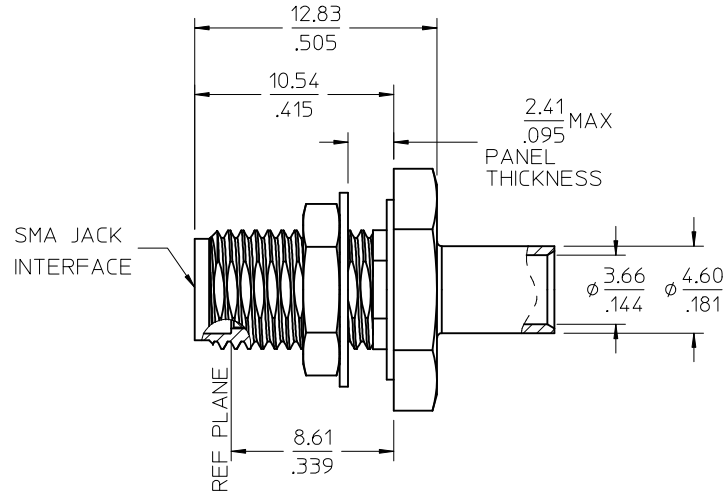
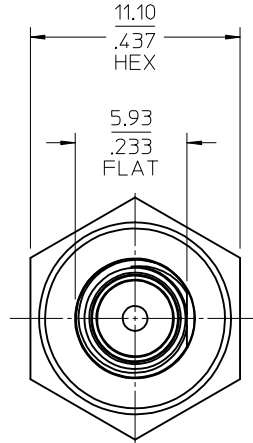
INSULATOR: TEFLON

LOCKWASHER PHOSPHOR BRONZE
PLATED GOLD

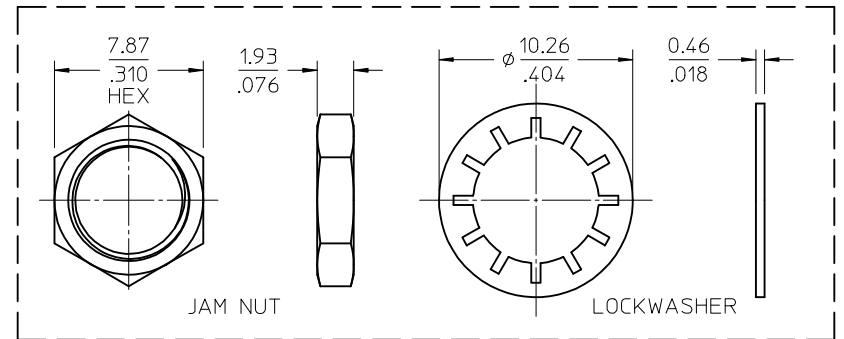
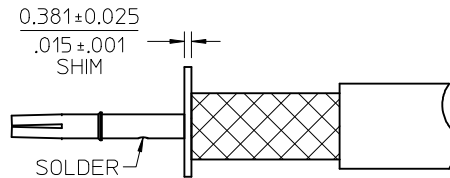
GASKET SILICONE RUBBER



RECOMMENDED MOUNTING HOLE



RECOMMENDED CABLE STRIP DIMENSION



73251-0833	GOLD FLASH	INCLUDED	TRAY
73251-0832	GOLD	INCLUDED	ONE PER BAG
73251-0831	GOLD	NOT INCLUDED	TRAY
73251-0830	GOLD	INCLUDED	TRAY
PART NO.	BODY/JAM NUT	HARDWARE/GASKET	PACKAGING

CHG:ADDED -0833 PER PDR/15112112 IEC NO: URF2016-0419 DR:WNYEH CHKD: APPR:YCHENG 2015/12/01 2015/12/04 DESCRIPTION REV:	QUALITY SYMBOLS	▽=0
	▽=0	
	▽=0	
	▽=0	

GENERAL TOLERANCES (UNLESS SPECIFIED)	
mm	INCH
4 PLACES ±	±
3 PLACES ±	±
2 PLACES ±	±
1 PLACE ±	±
0 PLACE ±	±
ANGULAR ± 2 °	
DRAFT WHERE APPLICABLE MUST REMAIN WITHIN DIMENSIONS	

DIMENSION STYLE	
MM/IN	
DRAWN BY	DATE
TEF	2002/03/07
CHECKED BY	DATE
SSS	2002/03/07
APPROVED BY	DATE
GMH	2002/03/07
MATERIAL NO.	
SEE TABLE	
SIZE	C

SCALE	DESIGN UNITS	THIRD ANGLE PROJECTION
5:1	METRIC	
TITLE		
SMA JACK, BULKHEAD FOR RG402 CABLE, EWR-3363 SMA-JC		
molex		
DOCUMENT NO.	SHEET NO.	
SD-73251-083	1 OF 1	
THIS DRAWING CONTAINS INFORMATION THAT IS PROPRIETARY TO MOLEX INCORPORATED AND SHOULD NOT BE USED WITHOUT WRITTEN PERMISSION		