

## DESCRIPTION

The MP4000 is a high efficiency step-down converter designed for driving high brightness Light Emitting Diodes (LEDs).

The MP4000 drives an external MOSFET in the floating buck converter structure. The inductor current is regulated with boundary conduction mode which features no reverse recovery loss in the freewheeling diode and soft turn on for the power MOSFET. Such operation mode can achieve very high efficiency and at the same time minimize the inductor value and size. Also, the LED current can be well regulated by controlling the MOSFET peak current, which is sensed through an external resistor. Its low 300mV feedback voltage reduces power loss and improves efficiency.

The MP4000 can accept an external PWM or a DC signal for the burst dimming control.

The MP4000 features output short protection, maximum switching frequency limit, under-voltage lockout and thermal shut down.

## FEATURES

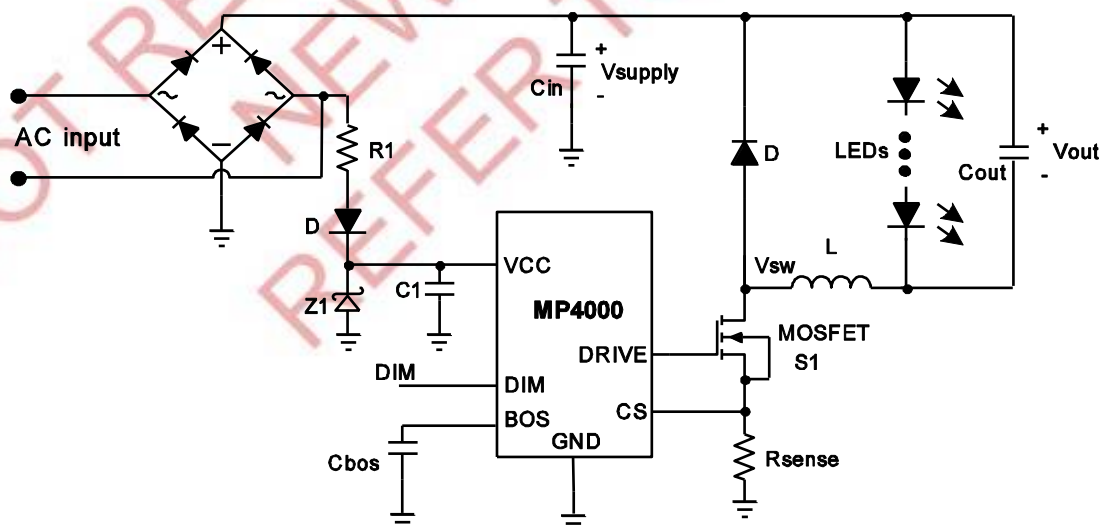
- Constant-current LED Driver
- Power MOSFET Zero-Current Turn On
- No Freewheeling Diode Reverse Recovery Issues
- High Efficiency and Reliability in Boundary Mode Operation
- Low 0.9mA Operation Current
- PWM or DC Input Burst Dimming Control
- Hiccup Short Circuit Protection
- UVLO, Thermal Shutdown
- Maximum Frequency is Limited to 110kHz
- Available in SOIC8 Package

## APPLICATIONS

- DC/DC or AC/DC LED Driver applications
- General Illumination
- Industrial Lighting
- Automotive/ Decorative LED Lighting

For MPS green status, please visit MPS website under Quality Assurance. "MPS" and "The Future of Analog IC Technology" are Registered Trademarks of Monolithic Power Systems, Inc.

## TYPICAL APPLICATION

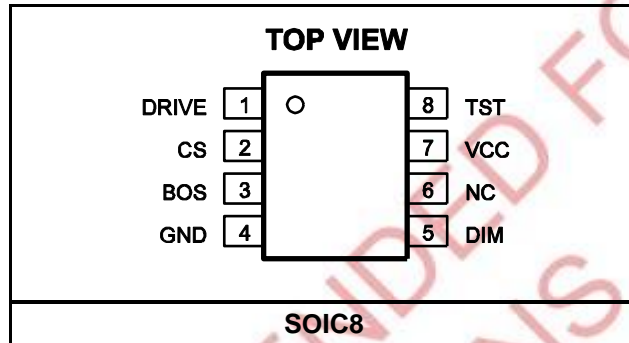


### ORDERING INFORMATION

Part Number	Package	Top Marking	Free Air Temperature (T <sub>A</sub> )
MP4000DS	SOIC8	MP4000	-40°C to +85°C

\* For Tape & Reel, add suffix -Z (e.g. MP4000DS-Z).  
 For RoHS Compliant Packaging, add suffix -LF (e.g. MP4000DS-LF-Z)

### PACKAGE REFERENCE



#### ABSOLUTE MAXIMUM RATINGS <sup>(1)</sup>

VCC, DRIVE .....	-0.3V to 11V
DIM, BOS, CS .....	-0.3V to 6.5V
Continuous Power Dissipation (T <sub>A</sub> = +25°C) <sup>(2)</sup>	
SOIC8.....	1.3W
Junction Temperature .....	150°C
Lead Temperature .....	260°C
Storage Temperature.....	-55°C to +150°C

#### Recommended Operating Conditions <sup>(3)</sup>

VCC, DRIVE .....	8V to 10.5V
Maximum Junction Temp. (T <sub>J</sub> ) .....	+125°C

#### Thermal Resistance <sup>(4)</sup>    θ<sub>JA</sub>    θ<sub>JC</sub>

SOIC8 .....	96	45	°C/W
-------------	----	----	------

#### Notes:

- 1) Exceeding these ratings may damage the device.
- 2) The maximum allowable power dissipation is a function of the maximum junction temperature T<sub>J</sub>(MAX), the junction-to-ambient thermal resistance θ<sub>JA</sub>, and the ambient temperature T<sub>A</sub>. The maximum allowable continuous power dissipation at any ambient temperature is calculated by P<sub>D</sub>(MAX) = (T<sub>J</sub>(MAX)-T<sub>A</sub>)/θ<sub>JA</sub>. Exceeding the maximum allowable power dissipation will cause excessive die temperature, and the regulator will go into thermal shutdown. Internal thermal shutdown circuitry protects the device from permanent damage.
- 3) The device is not guaranteed to function outside of its operating conditions.
- 4) Measured on JESD51-7, 4-layer PCB.

## ELECTRICAL CHARACTERISTICS

$V_{CC} = 10V$ ,  $V_{DIM} = 5V$ ,  $V_{BOS} = 0V$ , no load on pin Drive,  $T_A = +25^\circ C$ , unless otherwise noted.

Parameters	Symbol	Condition	Min	Typ	Max	Units
Input $V_{CC}$ Current (Quiescent)	$I_{CCQS}$	$V_{DIM} = 0V$		0.6		mA
Input $V_{CC}$ Current (Operation)	$I_{CCOP}$	$F_{SW} = 50kHz$ , 100pF load on DRIVE		0.9		mA
VCC UVLO Rising	$V_{CCUVLO}$		7	7.4	7.8	V
VCC UVLO Hysteresis	$V_{CCHys}$			1		V
DIM PWM Input High	$V_{PWMH}$	$V_{BOS} = 1.2V$	1.5			V
DIM PWM Input Low	$V_{PWML}$	$V_{BOS} = 1.2V$			0.9	V
DIM Pin Pull Up Current	$I_{DIM}$	$V_{DIM} = 0V$		10		$\mu A$
PWM Dimming on Propagation Delay	$T_{PWMon\_PD}$	PWM rising edge to Drive rising edge		540	750	ns
PWM Dimming off Propagation Delay	$T_{PWMoff\_PD}$	PWM falling edge to Drive falling edge		3	4	$\mu s$
BOS Source Current	$I_{BOS}$	$V_{BOS} = 0V$	3	4	5	$\mu A$
BOS High Threshold	$V_{BOSH}$	BOS pin connected to GND with a Cap	2.1	2.4	2.6	V
CS Pin Reference Voltage	$V_{REF}$	$-40^\circ C \leq T_A \leq +85^\circ C$	270	300	330	mV
		$T_A = +25^\circ C$	285	300	315	
CS Input Bias Current	$I_{CS}$		-1		1	$\mu A$
Turn-off Propagation Delay	$t_{off\_PD}$				100 <sup>(5)</sup>	ns
Leading Edge Blanking Time	$t_{LEB}$		200	320	450	ns
Turn-on Propagation Delay	$t_{on\_PD}$				100 <sup>(5)</sup>	ns
Gate Drive Source Current	$I_{DRV\_Source}$	$V_{DRV} = 0V$		400 <sup>(5)</sup>		mA
Gate Drive Sink Current	$I_{DRV\_Sink}$	$V_{DRV} = V_{CC}$		-1.2 <sup>(5)</sup>		A
Drive Low Level Output Voltage	$V_{DRV_L}$	$I_{DRV} = 10mA$		50		mV
Drive High Level Output Voltage to Rail	$V_{DRV_H}$	$I_{DRV} = -10mA$		110		mV
Gate Minimal Turn-on Time	$t_{ON\_Min}$				400 <sup>(5)</sup>	ns
Maximum Switching Frequency	$f_{SW\_Max}$			110 <sup>(5)</sup>		kHz
Over Temperature Protection Threshold	$T_{OTP}$			150		$^\circ C$
Over Temperature Protection Threshold Hysteresis	$T_{OTP\_Hys}$			30		$^\circ C$
Output Short Shut Down Time	$T_{shut-down}$			1.7		ms

**Notes:**

5) Guarantee by design.

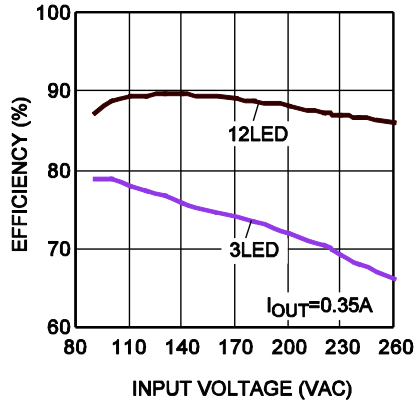
**PIN FUNCTIONS**

Pin #	Name	Description
1	DRIVE	External MOSFET drive output.
2	CS	LED current sense input. Connect the current sense resistor that programs the LED current .
3	BOS	Burst Oscillator Setting. For the DC input burst dimming, connect a capacitor from this pin to GND to program the burst dimming frequency. For the external PWM input burst dimming, connect a 300k resistor from this pin to GND and apply the logic signal to the DIM pin.
4	GND	Ground.
5	DIM	Burst Dimming Control Input. For DC input control, the voltage range of 0V to 2.4V at DIM pin linearly sets the burst-mode duty cycle from minimum to 100%. For external PWM input control, connect the PWM signal to DIM pin. Open DIM pin if no dimming control is applied.
6	NC	No connection. Float this pin.
7	VCC	The VCC voltage provides the power for IC logic and driving external MOSFET. Must be locally bypassed.
8	TST	Test pin. Connect to GND.

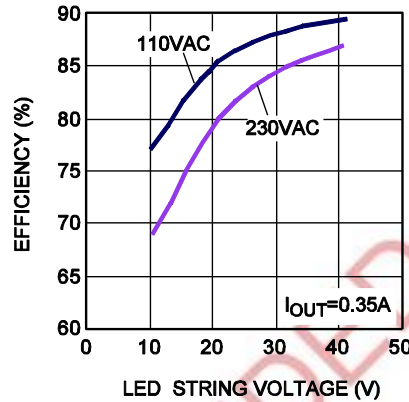
## TYPICAL PERFORMANCE CHARACTERISTICS

$V_{CC} = 10V$ ,  $V_{IN} = 90V_{AC}$  to  $265V_{AC}$ ,  $V_{OUT} = 10V$  to  $40V$ ,  $L = 680\mu H$ ,  $T_A = +25^\circ C$ , unless otherwise noted.

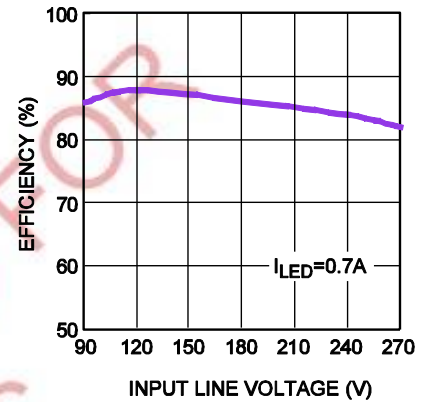
**Efficiency vs. Input Voltage**



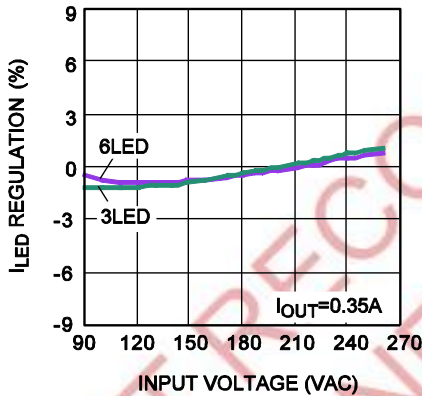
**Efficiency vs. String Voltage**



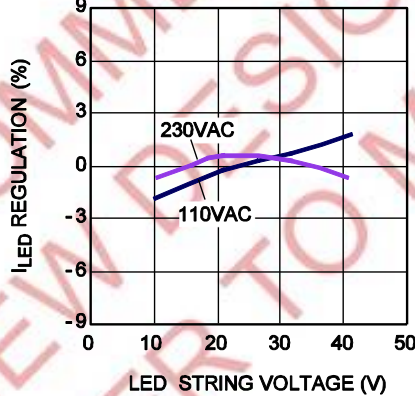
**Efficiency vs. Input Line Voltage**



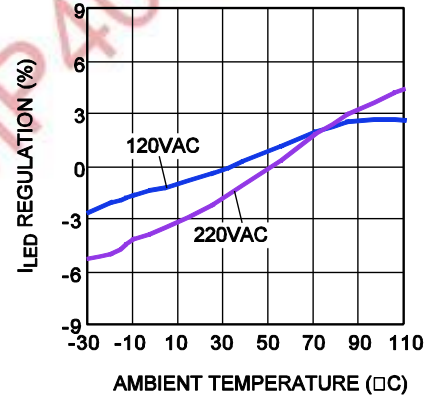
**$I_{LED}$  Regulation vs. Input Voltage**



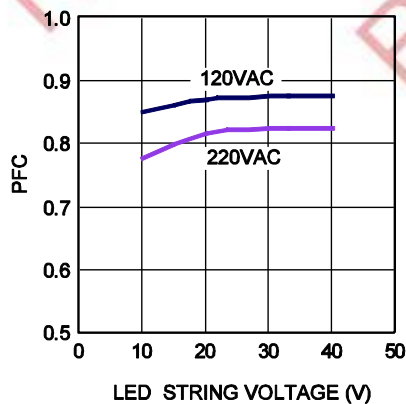
**$I_{LED}$  Regulation vs. String Voltage**



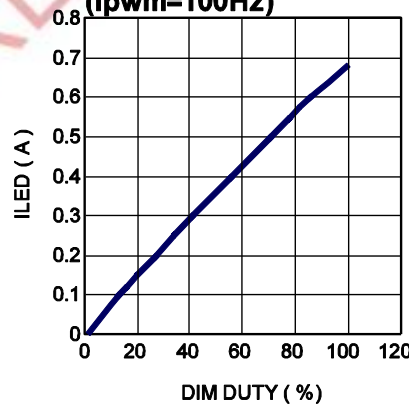
**$I_{LED}$  Regulation vs. Ambient Temp**



**Passive PFC**  
 $I_{OUT} = 350mA$

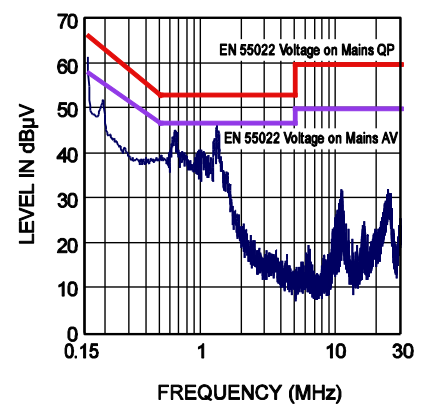


**LED Current vs. PWM Dimming Duty**  
( $f_{pwm} = 100Hz$ )



**EMI**

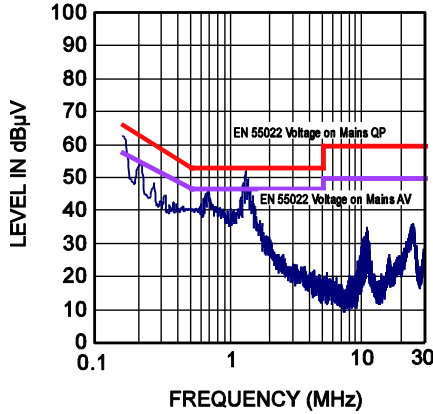
$V_{IN} = 120V_{AC}$   $V_{OUT} = 27V$



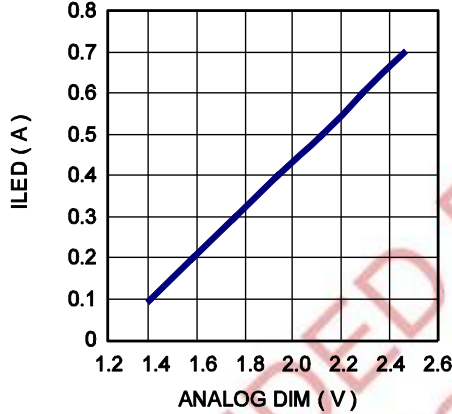
**TYPICAL PERFORMANCE CHARACTERISTICS (continued)**

$V_{CC} = 10V$ ,  $V_{IN} = 90V_{AC}$  to  $265V_{AC}$ ,  $V_{OUT} = 10V$  to  $40V$ ,  $L = 680\mu H$ ,  $T_A = +25^\circ C$ , unless otherwise noted.

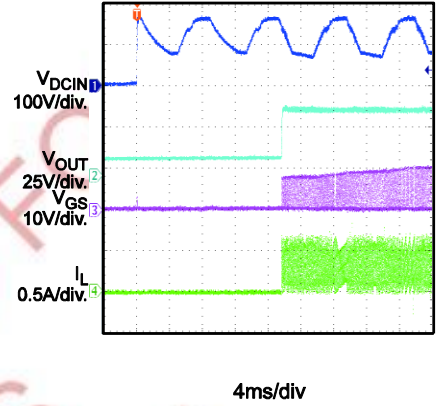
**EMI**  
 $V_{IN} = 220V_{AC}$   $V_{OUT} = 27V$



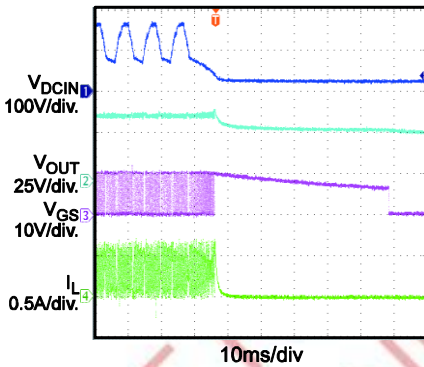
**Analog Dimming**



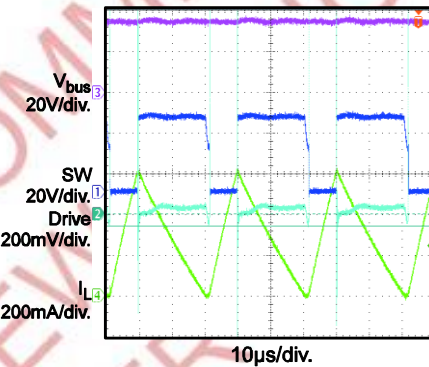
**Power Ramp Up**  
 $V_{IN} = 120V_{AC}$   $V_{OUT} = 33V$



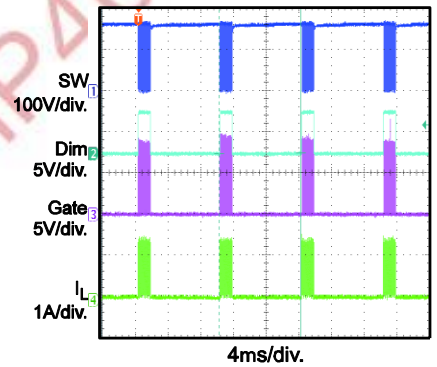
**Power Ramp Down**  
 $V_{IN} = 120V_{AC}$   $V_{OUT} = 33V$



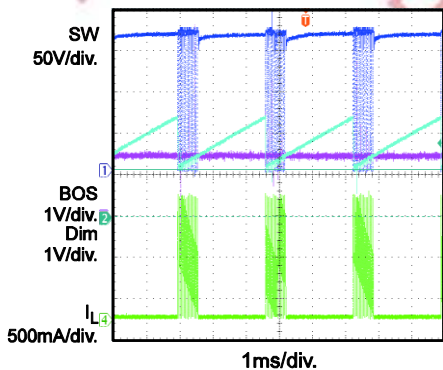
**Steady State Operation**



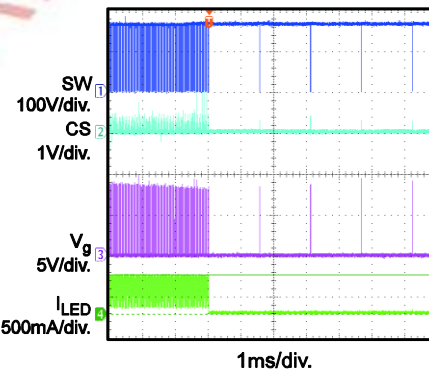
**PWM Dimming**



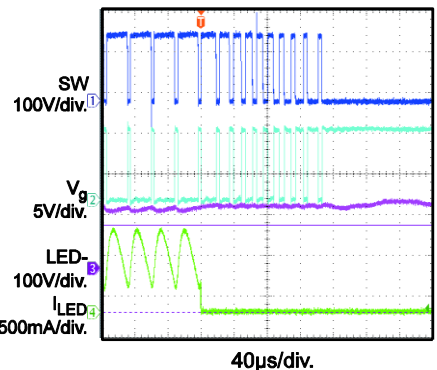
**Analog Dimming**



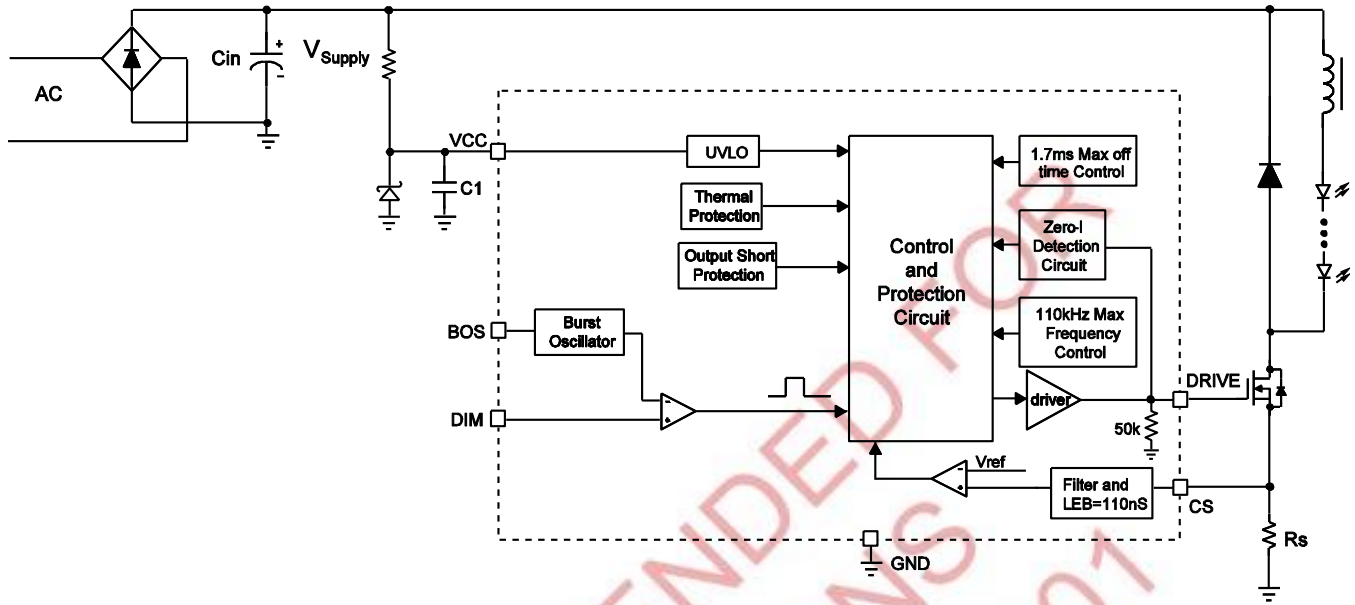
**LED Short Protection**



**LED Open Protection**



**FUNCTIONAL BLOCK DIAGRAM**



**Figure 1—Function Block Diagram**

## OPERATION

### LED Current Regulation and Zero-Current Detection

With a floating buck converter configuration, as shown in the typical application circuit, the MP4000 turns off the MOSFET S1 with a peak current control. The peak current is sensed with a resistor  $R_{sense}$  and feeds back to CS pin. The peak current is regulated as:

$$I_{L\_PEAK} = \frac{V_{REF}}{R_{sense}}$$

In normal operation, MP4000 turns on S1 when the current in the freewheeling diode goes to zero. As a result, the average LED current is well regulated as

$$I_{LED} = \frac{V_{REF}}{2 \cdot R_{sense}}$$

The zero-current detection is realized at DRIVE pin by sensing the MOSFET drain dv/dt current through the S1's miller cap. When the freewheeling diode current goes to zero, S1 drain voltage ( $V_{SW}$ ) drops from  $V_{SUPPLY}$  to ( $V_{SUPPLY} - V_{OUT}$ ) and starts oscillation, which is caused by the inductor and the parasitic caps. When  $V_{SW}$  reaches the minimum value, the dv/dt current through the miller cap changes from negative to zero. At this time, the MP4000 turns on S1. As a result, the MP4000 turns on S1 when the inductor current goes to zero and S1 drain voltage is at minimum. MP4000 controls the buck converter operating in current boundary conduction mode.

A cap  $C_{out}$  can be used in parallel with the LED string to reduce the current ripple.

Such boundary operation mode can minimize the S1 turn-on loss and eliminate the freewheeling diode reverse recovery loss so that high switching frequency is possible to reduce passive components' size. Furthermore, the required inductance value is small, which can help further inductor size reduction.

### Brightness Dimming Control

The MP4000 employs a burst dimming control scheme so that an external PWM signal can control the dimming by varying the duty cycle, or a DC signal can control the dimming by varying the DC voltage level.

For the PWM input dimming control, a 100Hz to 2kHz PWM signal is recommended to connect to the DIM pin. BOS pin is connected to GND through a 300K $\Omega$  resistor, setting about 1.2V reference for the PWM input logic signal. PWM input high will make the IC switching. PWM input low turns off the IC.

For the DC input dimming control, a voltage from 0V to 2.4V is recommended to connect to the DIM pin. 2.4V and above is for the 100% brightness. 120mV and below is for the 5% minimal brightness. A cap  $C_{BOS}$  is connected from BOS pin to GND to program the burst frequency  $f_{DIM}$ .

$$C_{BOS} = \frac{i_{BOS}}{V_{BOSH} \cdot f_{DIM}}$$

For applications that do not need burst dimming control, open DIM pin and short BOS pin to GND.

For some case that needs high dimming resolution, where the dimming off time would be smaller than the switching period, dimming ON signal will force the MOSFET to turn on even when the inductor current is not zero. If this condition would happen in the application, ultra fast recovery diode is recommended for the freewheeling diode.

### Frequency Setting and Inductor Design

In case the zero-current detection circuit fails, which can happen in starting up with a large output cap and in output short condition, a maximum off time of about 1.7ms is applied to make sure the device is still in operation and the short current doesn't run away.



A maximum 110kHz switching frequency is set by the MP4000 to avoid extreme losses in the circuit and ensure better EMI performance. If the converter reaches the maximum frequency, it will operate in discontinuous current conduction mode. Such operation mode should be avoided since the LED current is out of regulation.

In order to design the switching frequency  $f_s$  within the 30kHz to 110kHz range, inductor design is critical.

$$L = \frac{1}{f_s \cdot 2 \cdot I_{LED}} \cdot \frac{(V_{Supply} - V_{out}) \cdot V_{out}}{V_{Supply}}$$

where,  $V_{Supply}$  is the input voltage of the Buck converter,  $V_{out}$  is the LED voltage.

**Hiccup Output Short Protection**

If the entire LED string is shorted,  $V_{out}$  is zero. Due to the minimum on-time limit, the inductor current will be out of regulation. The MP4000 can detect such failure and shut down for about 1.7ms, and then re-tries the operation. Such hiccup protection can not only eliminate the thermal issue due to short circuit current, but also maintain normal operation if the protection is mis-triggered.

**Under-Voltage Lockout (UVLO) Protection**

Under-voltage lockout (UVLO) is implemented to protect the chip from operating at insufficient supply voltage. The UVLO rising threshold is about 7.4V while its falling threshold is a consistent 6.4V.

**Thermal Shut down Protection**

An accurate temperature protection is implemented to prevent the chip from operating at exceedingly high temperatures. When the silicon die temperature is higher than its upper threshold, it shuts down the whole chip. When the temperature is lower than its lower threshold, the chip is enabled again.

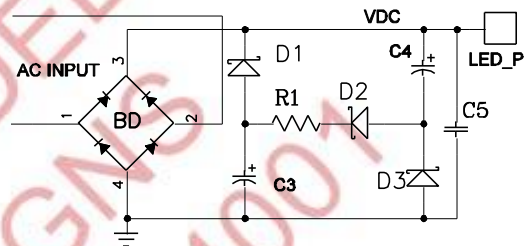
**VALLEY-FILL PFC**

If power factor >0.7 is required for the application. Valley-fill circuit is a simple choice to improve the power factor.

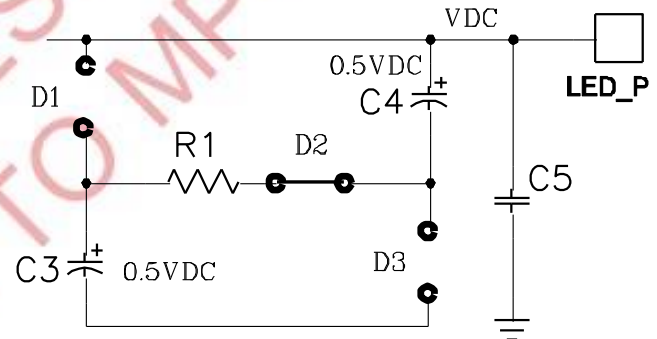
The valley-fill circuit is shown in the Figure 2. When the input voltage is higher than the half of the peak voltage, power is delivered directly through the diode bridge. Meanwhile C4 and C3 is charged in series through D2 as shown in the equivalent circuit (Fig3).

The peak voltage of the valley-fill capacitor is:

$$V_{VF-CAP} = 0.5V_{AC-RMS} \sqrt{2}$$

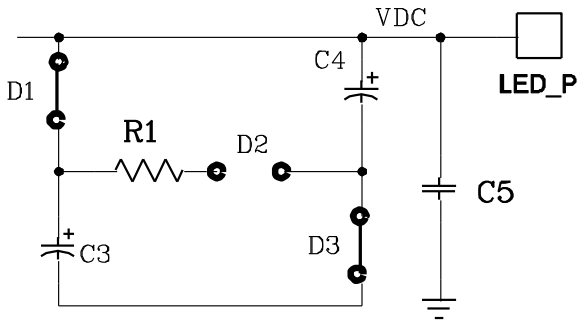


Figure—2 valley-fill circuit.



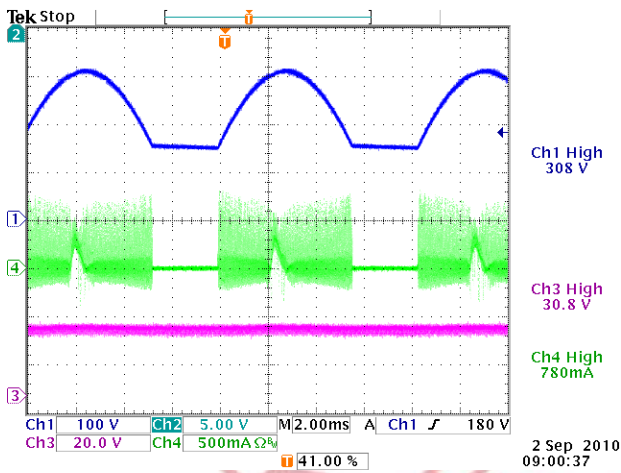
Figure—3 equivalent circuit: valley-fill charging period

As the AC line decreases from its peak value every cycle, there will be a point where the voltage magnitude of the AC line is equal to the voltage that each capacitor is charged. At this point diode D5 becomes reversed biased, and the capacitors C4 and C3 are in parallel and are discharging by the load. The equivalent circuit is shown in figure 4.



Figure—4 Valley Fill Circuit when AC Line is Low

Through the valley-fill operation, the circuit extends the conduction angle thus improves the power factor. The resistor R1 is a current limit resistor. Figure 5 shows the result of the valley-fill PFC.



Figure—5 Valley Fill Waveform

## REFERENCE DESIGN

### Description

Residential downlighting is transiting to more efficient sources of light. LED light will become the trend in the near future. This reference design is a 3~12W LED driver specifically for residential downlighting and LED bulb replacement. It utilizes the MP4000: a high efficiency, accurate current regulation LED lighting driver controller.

### Key Features

- Accurate current regulation
- High efficiency
- Compact size
- Low cost

### Design Specification

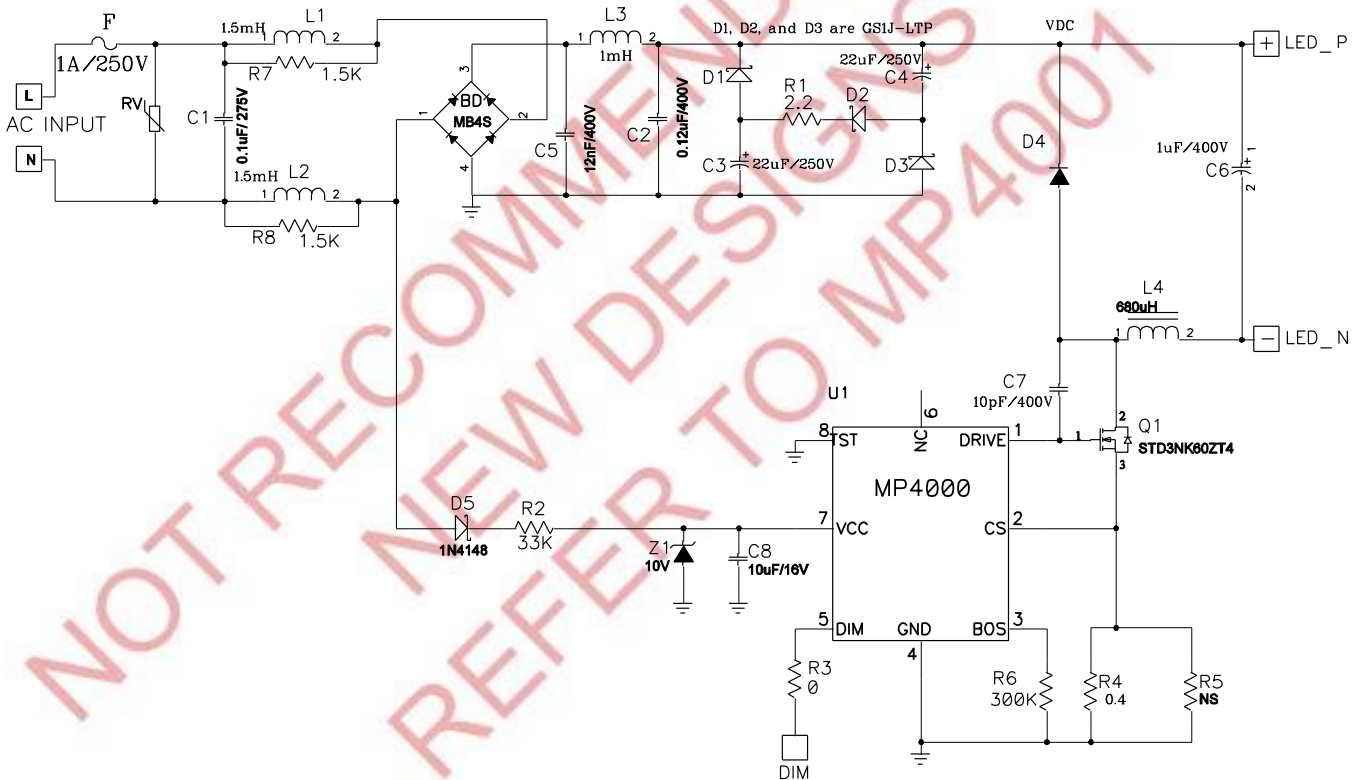
$V_{IN}$ : 90VAC to 265VAC

$V_{OUT}$ : 10V to 40V

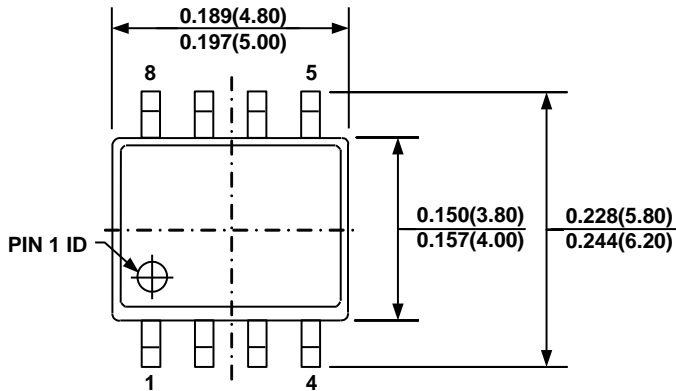
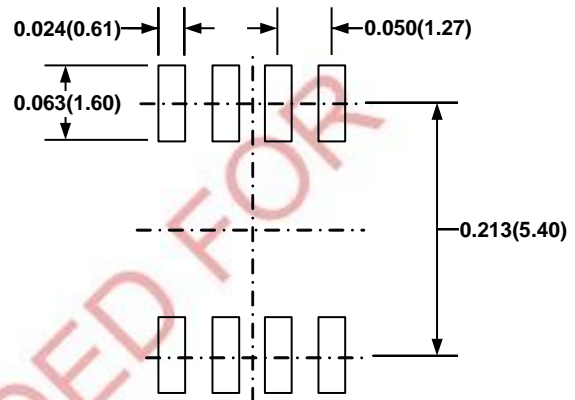
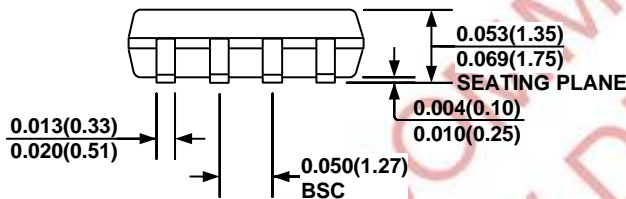
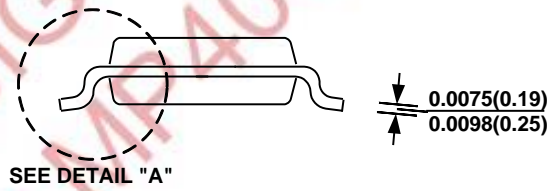
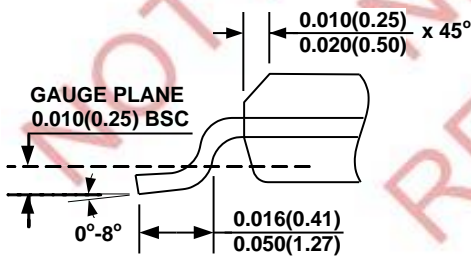
$I_{OUT}$ : 350mA

PFC: >0.7

EMI: Meet EN55022 and PAR-22 Class B standards



**Figure—6 Reference Design Circuit: Universal Input, 3~12W LED Lighting Solution**

**PACKAGE INFORMATION**
**SOIC8**

**TOP VIEW**

**RECOMMENDED LAND PATTERN**

**FRONT VIEW**

**SIDE VIEW**

**DETAIL "A"**
**NOTE:**

- 1) CONTROL DIMENSION IS IN INCHES. DIMENSION IN BRACKET IS IN MILLIMETERS.
- 2) PACKAGE LENGTH DOES NOT INCLUDE MOLD FLASH, PROTRUSIONS OR GATE BURRS.
- 3) PACKAGE WIDTH DOES NOT INCLUDE INTERLEAD FLASH OR PROTRUSIONS.
- 4) LEAD COPLANARITY (BOTTOM OF LEADS AFTER FORMING) SHALL BE 0.004" INCHES MAX.
- 5) DRAWING CONFORMS TO JEDEC MS-012, VARIATION AA.
- 6) DRAWING IS NOT TO SCALE.

**NOTICE:** The information in this document is subject to change without notice. Users should warrant and guarantee that third party Intellectual Property rights are not infringed upon when integrating MPS products into any application. MPS will not assume any legal responsibility for any said applications.