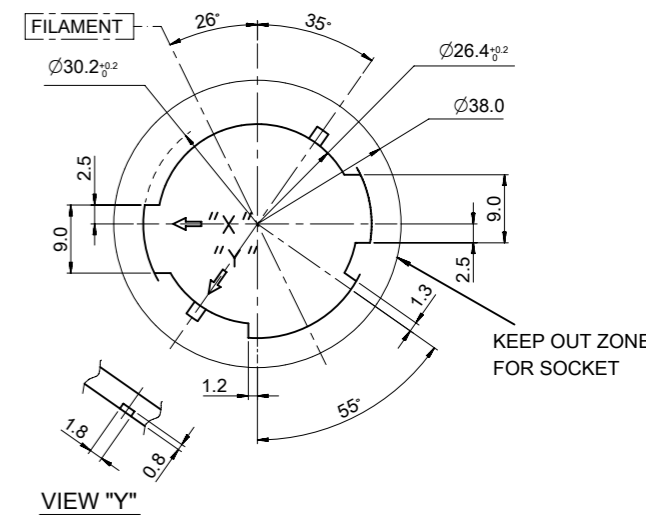
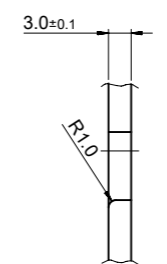
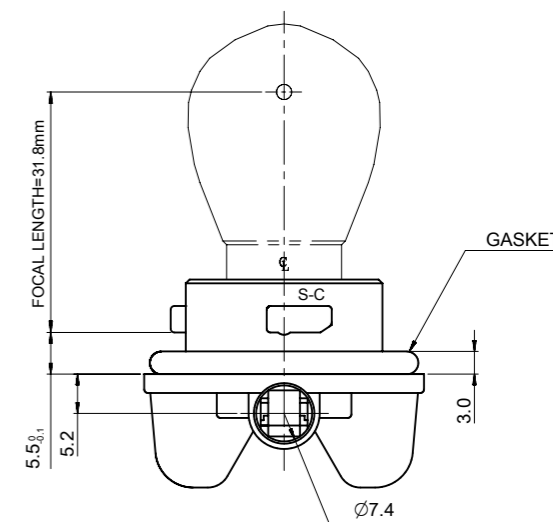
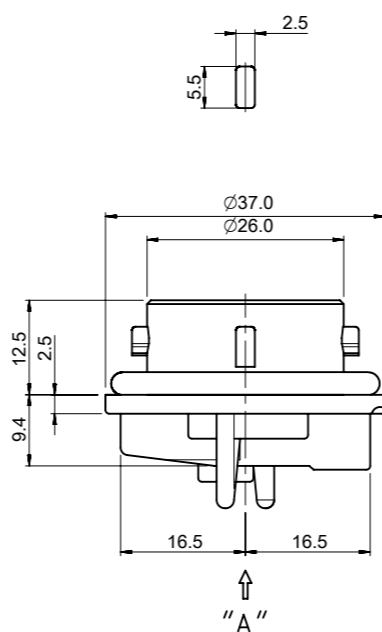
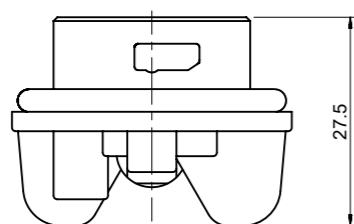
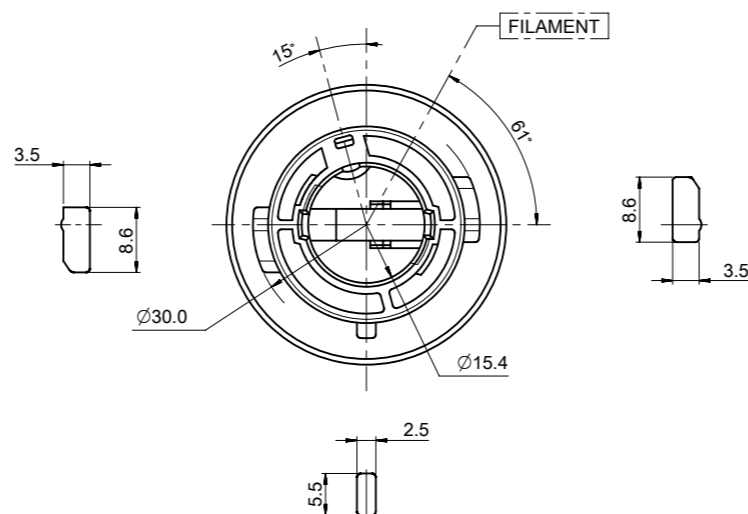
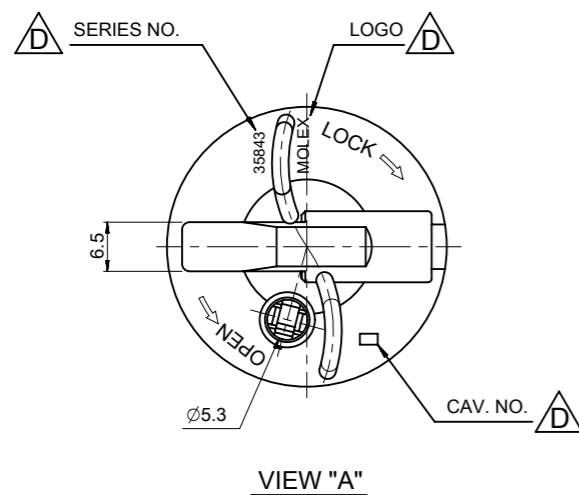


- NOTES
1. FOCAL LENGTH = 31.8mm
 2. PRODUCT SPECIFICATION: PS-35842-001
 3. APPLICABLE BULB CAP: P21W(BA15s)
 4. MATES WITH

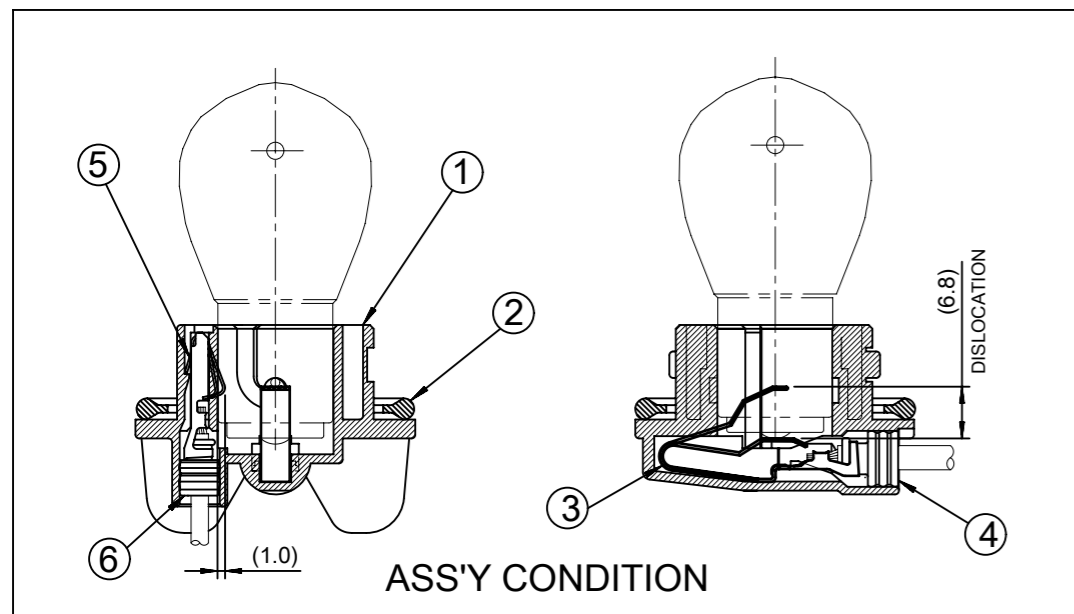
NO.	DESCRIPTION	MATERIAL	ORDER NO.	REMARK
③	POSITIVE TERMINAL	PHOSPHOR BRONZE	35464-8000	UNPLATED
④	POSITIVE WIRE SEAL	SILICONE	35903-0096	BROWN
⑤	EARTH TERMINAL	PHOSPHOR BRONZE	35465-8000	UNPLATED
⑥	EARTH WIRE SEAL	SILICONE	35903-0106	BLUE

<PART LIST>

NO.	DESCRIPTION	MATERIAL	USAGE	REMARK
①	SINGLE SOCKET	PA66 M/F	1	C TYPE
②	SEAL GASKET	NBR	1	BLACK



MOUNTING INTERFACE
(MI-3)



<TABLE 1>

MATERIAL NO.	ORDER NO.	COLOR
358431225	35843-1225	GRAY
358431227	35843-1227	BROWN

THIS DRAWING CONTAINS INFORMATION THAT IS PROPRIETARY TO MOLEX ELECTRONIC TECHNOLOGIES, LLC AND SHOULD NOT BE USED WITHOUT WRITTEN PERMISSION		CURRENT REV DESC:		molex			
DIMENSION UNITS	SCALE	EC NO: 668685				DOCUMENT NUMBER	DOC TYPE
mm	1:1	DRWN: SUGEEB		SD-35843-003	PSD	001	E1
GENERAL TOLERANCES (UNLESS SPECIFIED)		CHK'D: GGA		PRODUCT CUSTOMER DRAWING			
4 PLACES ±		APPR: GGA		SEE TABLE 1			
3 PLACES ±		INITIAL REVISION:		GENERAL MARKET			
2 PLACES ± 0.15		DRWN: YSIKKIM		SHEET NUMBER			
1 PLACE ± 0.25		APPR: CWLEE		1 OF 1			
0 PLACES ±		ANGULAR TOL ± 2.0°					
DRAFT WHERE APPLICABLE MUST REMAIN WITHIN DIMENSIONS		THIRD ANGLE PROJECTION	DRAWING	SERIES	MATERIAL NUMBER	CUSTOMER	SHEET NUMBER
			A3-SIZE	35843	SEE TABLE 1	GENERAL MARKET	1 OF 1