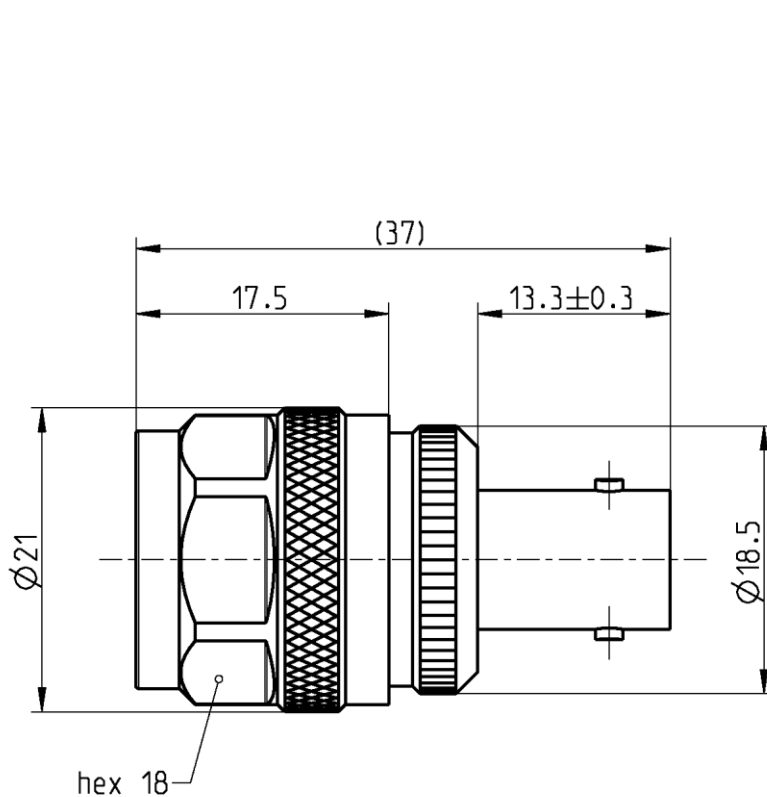


N 50 Ω

Adaptor  
N 50 Ω Plug – BNC Jack

**53S151-K00N5**



All dimensions are in mm; tolerances according to ISO 2768 m-H

**Interface**

According to N side: IEC 61169-16, MIL-PRF-39012, CECC 22210  
BNC side: DIN EN 61169-8

**Documents**

N/A

**Material and plating**

**Connector parts**

- Center contact
- Outer contact N side
- Outer contact BNC side
- Dielectric
- Gasket
- Coupling nut

**Material**

- CuBe
- Brass
- Brass
- PTFE
- Silicone
- Brass

**Plating**

- AuroDur®, gold plated
- Flash white bronze over silver(e.g. Optargen®)
- Flash white bronze over silver(e.g. Optargen®)
- Flash white bronze over silver(e.g. Optargen®)

N 50 Ω

Adaptor  
N 50 Ω Plug – BNC Jack

**53S151-K00N5**

**Electrical data**

Impedance	50 Ω	
Frequency	DC to 10 GHz	
Return loss	≥ 25 dB, DC to 1 GHz	
	≥ 20 dB, 1 to 4 GHz	
	≥ 18 dB, 4 to 10 GHz	
Insertion loss	≤ 0.1 dB	
Insulation resistance	≥ 5 x10 <sup>3</sup> MΩ	
Center contact resistance	≤ 1 mΩ, N side	≤ 1.5 mΩ, BNC side
Outer contact resistance	≤ 0.25 mΩ, N side	≤ 1 mΩ, BNC side
Working voltage	400 V rms	
Power handling (at 20 °C, sea level, VSWR 1.0)	≤ 80 W @ 2 GHz	

**Mechanical data**

	N side	BNC side
Mating cycles	min. 500	min. 500
Coupling nut retention	≥ 450 N	N/A
Center contact captivation: axial	≥ 28 N	≥ 28 N
Coupling test torque	max. 1.7 Nm	N/A
Recommended torque	0.7 Nm to 1.1 Nm	N/A

**Environmental data**

Temperature range	-55°C to +155°C
Thermal shock	MIL-STD-202, Meth. 107, Cond. B
Corrosion	MIL-STD-202, Meth. 101, Cond. B
Vibration	MIL-STD-202, Meth. 204, Cond. B
Shock	MIL-STD-202, Meth. 213, Cond. I
Moisture resistance	MIL-STD-202, Meth. 106
RoHS	compliant

**Tooling**

N/A

**Suitable cables**

N/A

**Weight**

Weight 35.8 g/pce

While the information has been carefully compiled to the best of our knowledge, nothing is intended as representation or warranty on our part and no statement herein shall be construed as recommendation to infringe existing patents. In the effort to improve our products, we reserve the right to make changes judged to be necessary.

For the installation of the electrotechnical equipment, particular electrotechnical expertise is required.



Draft	Date	Approved	Date	Rev.	Engineering change number	Name	Date
Inge Mühlauer	08.06.04	Chr. Janßen	27.01.21	g00	20-1927	S. Huber-Siegl	27.01.21

Rosenberger Hochfrequenztechnik GmbH & Co. KG  
P.O.Box 1260 D-84526 Tittmoning Germany  
[www.rosenberger.com](http://www.rosenberger.com)

Tel. : +49 8684 18-0  
Email : [info@rosenberger.com](mailto:info@rosenberger.com)

Page  
2 / 2