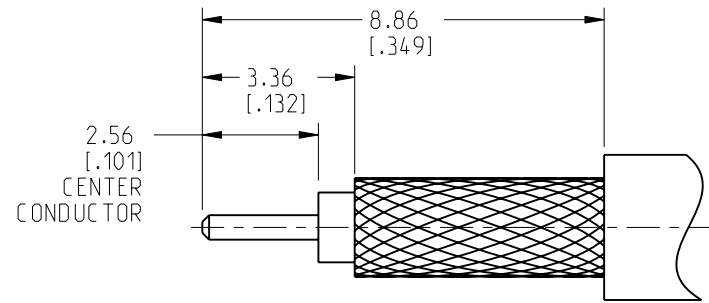


NOTES:

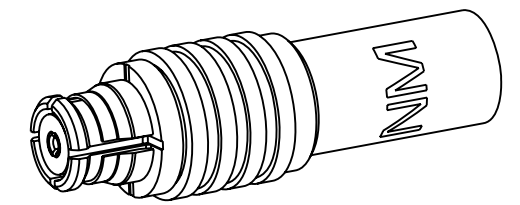
1. MATERIALS AND FINISHES:
 BODY, CONTACT, RETAINING RING &
 REAR BODY - BeCu, GOLD PLATING
 INSULATORS - PTFE, NATURAL
 FERRULE - COPPER, WHITE BRONZE PLATING
2. ELECTRICAL:
 A. IMPEDANCE: 50 OHM
 B. FREQUENCY RANGE: DC - 6 GHz
 C. VSWR (RETURN LOSS): -20 dB MIN. @ DC - 6 GHz
3. MECHANICAL:
 A. DURABILITY: 100 CYCLES MIN.
 B. TEMPERATURE RANGE: -65°C TO +165°C
4. PACKAGING:
 A. QUANTITY: SINGLE PACK
 B. MARKING: BAG TO BE MARKED
 "AMPHENOL RF,SMP-FS-C08-R-NM AND DATE CODE"
 C. CONTACT PIN AND FERRULE ARE PACKAGED LOOSE.
5. CABLE ASSEMBLY INSTRUCTIONS:
 A. TRIM CABLE AS SHOWN.
 B. SLIDE FERRULE ONTO CABLE
 C. SOLDER CABLE CENTER CONDUCTOR TO CONTACT.
 D. INSERT CABLE ENTERING CONNECTOR AND BRAID OVER KNURL.
 E. CRIMP FERRULE WITH .128" HEX.

6. SHOWS CABLE ENTRY DIMENSIONS.

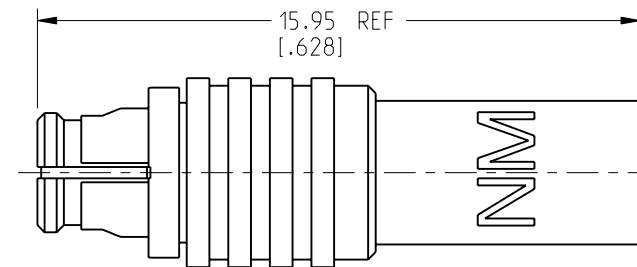
REVISIONS				
REV	DESCRIPTION	DATE	ECN	BY
A	RELEASE TO MFG.	5-Jul-22	16294	SH



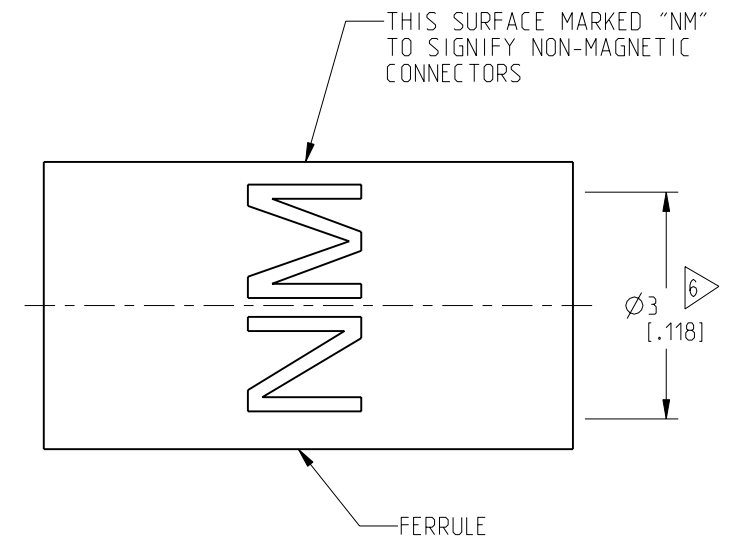
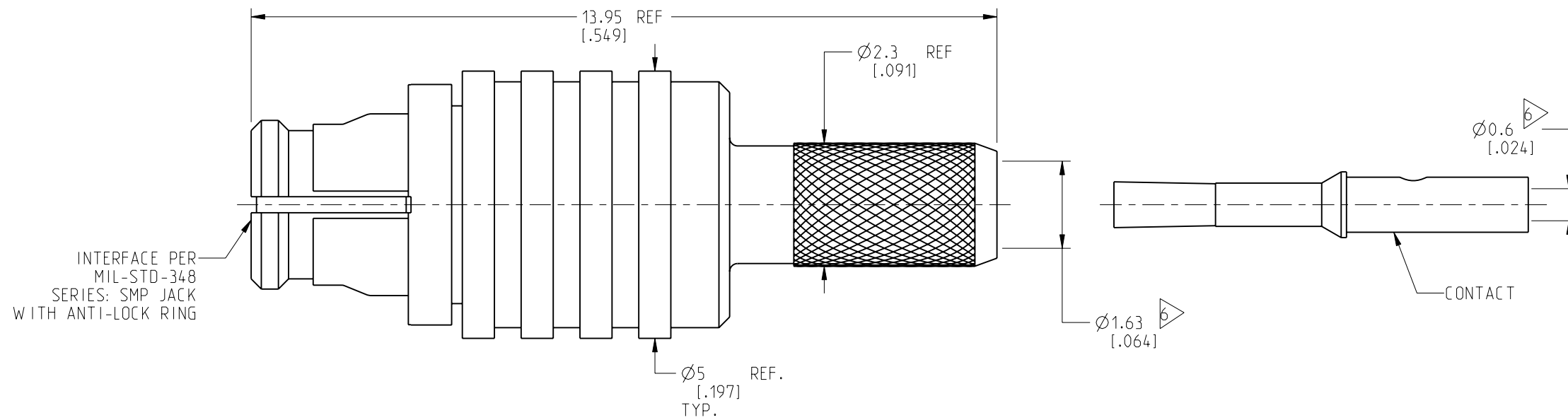
RECOMMENDED CABLE STRIPPING DIMENSIONS



SCALE 4.000



ASSEMBLED VIEW



CUSTOMER OUTLINE DRAWING

ALL OTHER SHEETS ARE FOR INTERNAL USE ONLY

NOTICE: These drawings, specifications, or other data (1) are, and remain the property of Amphenol corp. (2) must be returned upon request; and (3) are confidential and not to be disclosed to any person other than those to whom they are given by Amphenol Corp. The furnishing of these drawings, specifications, or other data by Amphenol Corp., or to any other person to anyone for any purpose is not to be regarded by implication or otherwise in any manner licensing, granting rights to permitting such holder or any other person to manufacture, use or sell any product, process or design, patented or otherwise, that may in any way be related to or disclosed by said drawings, specifications, or other data.		UNLESS OTHERWISE SPECIFIED DIMENSIONS ARE METRIC (INCHES) AND TOLERANCES ARE: <0.5mm = ±0.05mm [$<0.020 = \pm 0.002$] 0.5 - 6mm = ±0.1mm [$>0.020 - 0.236 = \pm 0.004$] >6.00 - 30mm = ±0.2mm [$>0.236 - 1.181 = \pm 0.008$] >30.00 - 120mm = ±0.3mm [$>1.181 - 4.725 = \pm 0.012$] ANGLES = ±1°		MATERIAL SEE NOTES		TITLE SMP STR PLUG WITH FEMALE CONTACT FOR RG 316 CABLE, NON-MAGNETIC		Amphenol RF	
THIRD ANGLE PROJ. REFERENCE		ENGR.1 S.VO		ENGR.2 WIKI		DATE 24-SEP-20		SHEET NO. 2 OF 2	
EAR# 8889		SCALE: 10.0:1.0		DRAWING NO. SMP-FS-C08-R-NM		ITEM NO. SMP-FS-C08-R-NM		PART NO. SMP-FS-C08-R-NM	
B		A		A		A		A	