

6

5

4

3

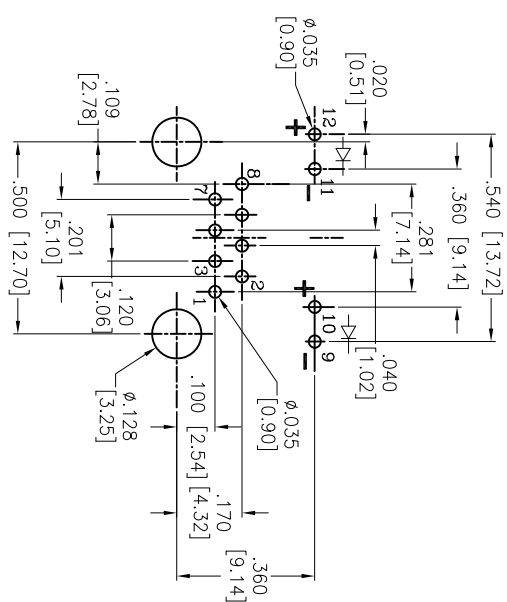
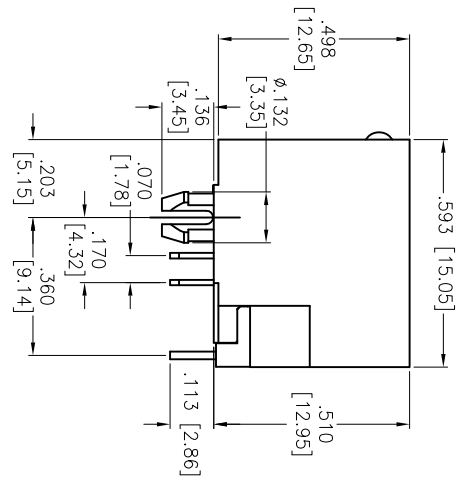
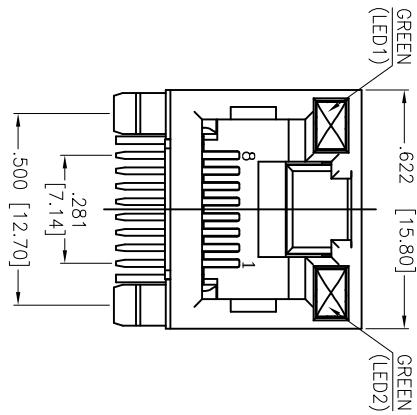
2

1

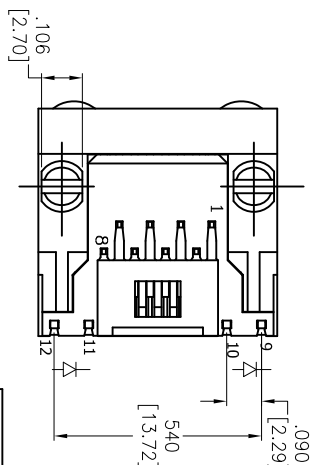
APPROVED: _____

DATE: _____ TITLE: _____

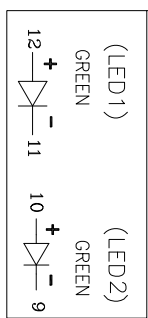
Rev	AWO #	Description	Date	Appr
-		RELEASED	5/2/05	
A		REDRAWN	12/05/11	
B		UPDATED DRAWING	3/25/15	HR/YC
C		UPDATED SPEC.	8/3/16	AV/NP



RECOMMENDED PCB LAYOUT



X	PLATING
0	15 µin Gold
1	30 µin Gold
2	50 µin Gold



SPECIFICATIONS:

Material:
Insulator: PBT, glass reinforced, rated UL 94V-0

Insulator color: Black

Contacts: Phosphor Bronze

Contacts Plating:
Round contact

Gold over Nickel underplate overall

Flat contact

**Gold over Nickel underplate on contact area,
Tin over Nickel underplate on solder tails**
(See chart for thickness)

Electrical:
Voltage rating: 150 VAC rms

Current rating: 1.5 Amp

Contact Resistance: 20 mohms max

Insulation resistance: 1000 Mohms min @ 500 VDC

Dielectric withstanding voltage:

1,000 VAC RMS (Contact to Contact) @0.5mA, 50Hz/60Hz for 1 minute.

1,500 V AC/DC Max. (Contact to Screen and Test panel) @0.5mA, 50Hz/60Hz for 1 minute

Temperature Rating:

Operating temperature: -40°C to +85°C

Environmental:
Lead free, RoHS compliant.

ADAM TECH

909 Railway Avenue, Union, NJ 07083
Phone: 908-687-5000 Fax: 908-687-5710

**MODULAR TELEPHONE JACK, 8P8C
RIGHT ANGLE, WITH GREEN LEDS**

UNLESS OTHERWISE SPECIFIED ALL DIMENSIONS ARE IN INCHES [MM]	
TOLERANCES: EXCEPT AS NOTED	
INCHES	
.X	± .10
.XX	± .020
.XXX	± .015
.XXX	± .010
ØXX	± .10
ØXXX	± .015
ØXXX	± .010
APPROVALS	DATE
DRAWN	SS
CHECKED	
APPROVED	

SIZE	PART NO.	REV.
X	MTJ-88ARX1-4D	C
REF:	S0003C	SHEET 1 OF 1
SCALE:	NIS	

6

5

4

3

2

1

