

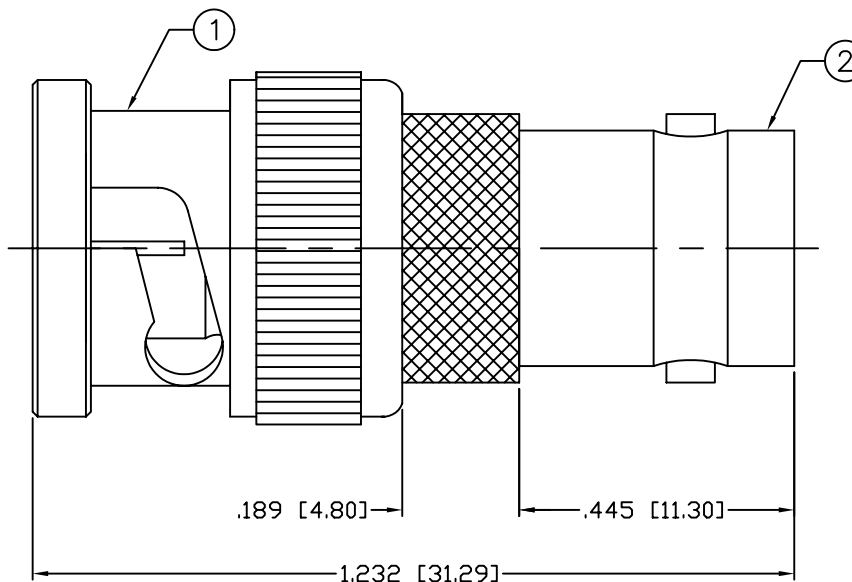
THIS DRAWING CONTAINS INFORMATION PROPRIETARY TO RF INDUSTRIES.  
 ANY UNAUTHORIZED USE OF THIS DRAWING IS EXPRESSLY PROHIBITED  
 WITHOUT WRITTEN PERMISSION FROM RF INDUSTRIES.  
 ANY VIOLATION IS PUNISHABLE UNDER U.S. COPYRIGHT LAWS.

ALL DIMENSIONS ARE REFERENCE ONLY

PART NO.

**RFB-1138**

REV	DESCRIPTION	DWN	DATE	APPROVED
-	ENGINEERING RELEASE	CZS	11/11/98	JDMc



SPECIFICATIONS:

IMPEDANCE: 50 Ohms  
 FREQUENCY RANGE: 0-4 GHz  
 WORKING VOLTAGE: 500 V rms @ sea level

1	SHELL	1	BRASS	NICKEL, 100 μ"	000494	
2	BODY	1	BRASS	NICKEL, 100 μ"		
3	INSULATOR	1	DELTRIN	----		
4	GASKET	1	RUBBER	----		
5	RETAINING RING	1	BRASS	NICKEL, 100 μ"		
6	SPRING	1	SK5	NICKEL, 100 μ"		
7	WASHER	1	BRASS	NICKEL, 100 μ"		
8	CONTACT	1	BRASS	GOLD, 3 μ"		
9						
10						
11						
12						
#	DESCRIPTION	QTY	MATERIAL	FINISH	APPROVALS	DATE

UNLESS OTHERWISE SPECIFIED:

DIMENSIONS ARE IN INCHES  
 AND [MILLIMETERS]  
 UNLESS OTHERWISE NOTED  
 TOLERANCES ARE:

DECIMALS

DIAMETER

**RFconnectors**  
 DIVISION OF RF INDUSTRIES, LTD.

7610 MIRAMAR RD  
 SAN DIEGO, CA 92126  
 (858) 549-6340  
 (858) 549-6345 FAX

**BNC PLUG TO  
 BNC JACK ADAPTER**

SIZE	CABLE GROUP	DWG NO.	REV
A	N/A	RFB-1138	-
SCALE:	NTS	CAD FILE	OUTLINE
			SHEET 1 OF 1