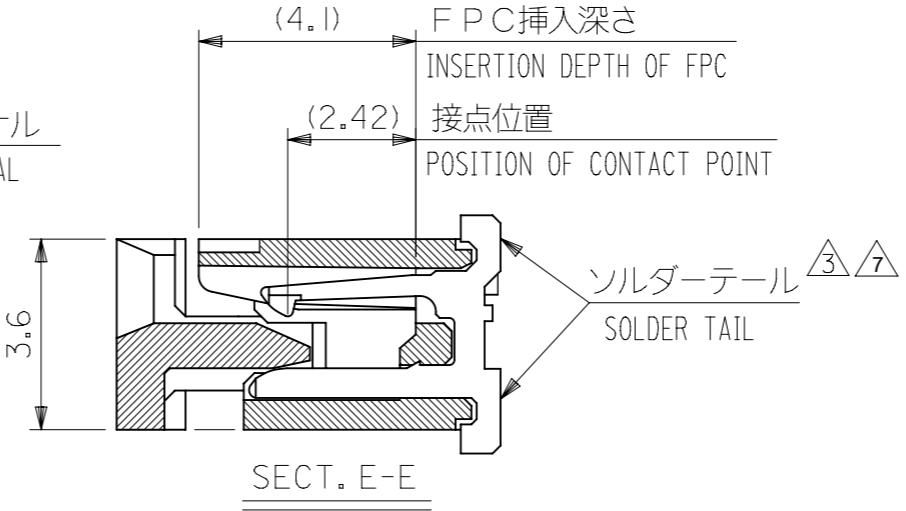
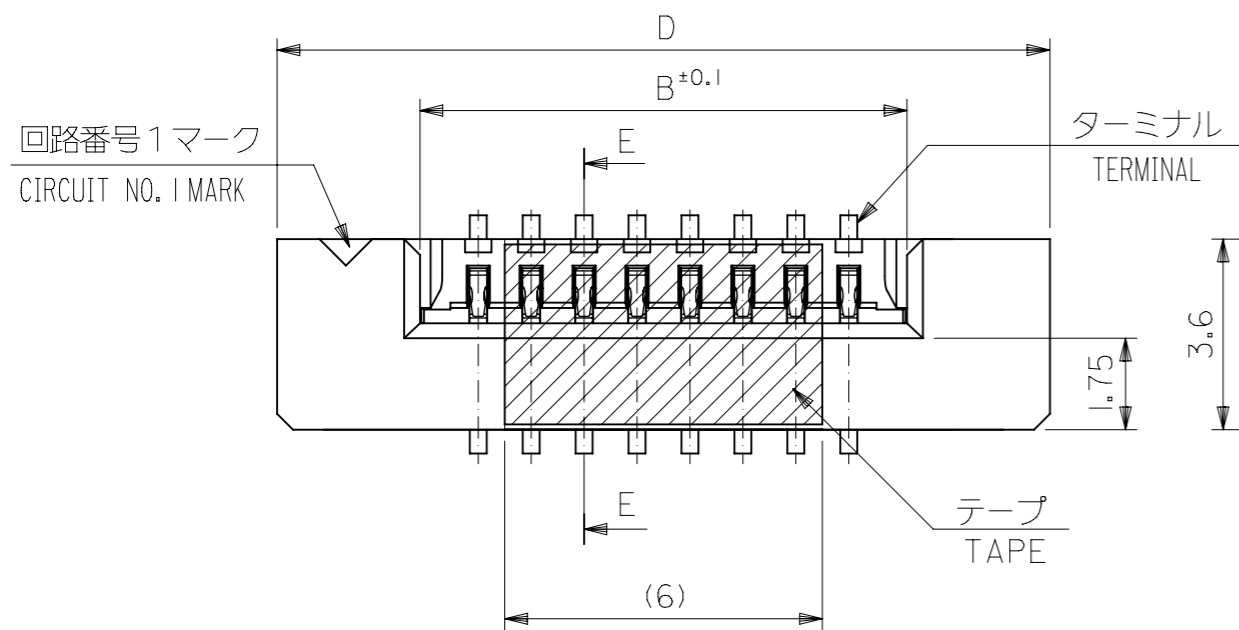
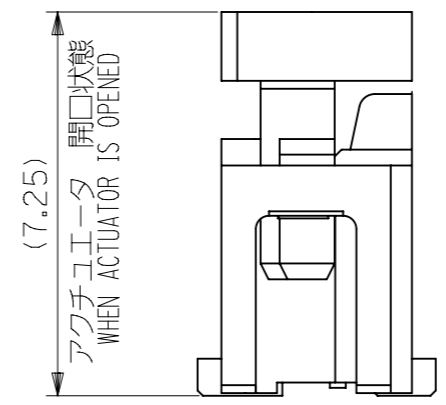
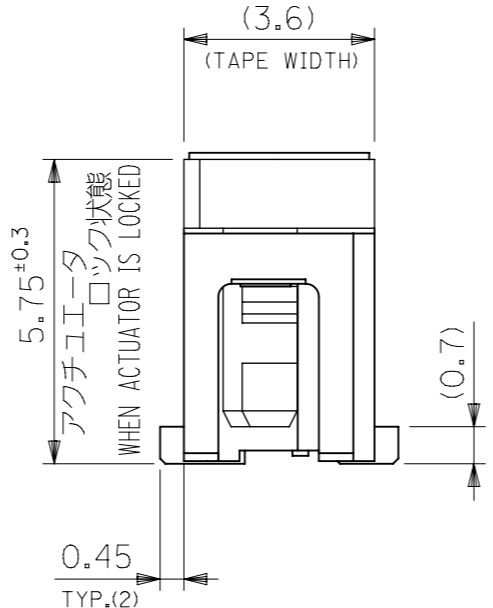
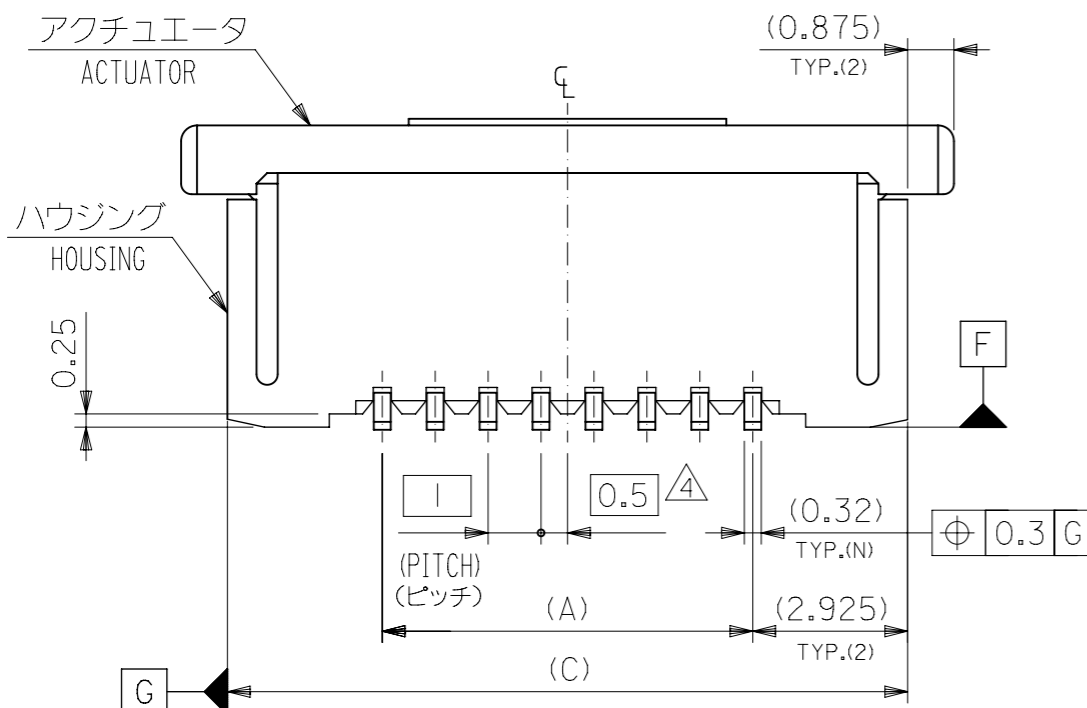


F



E

D



C

B

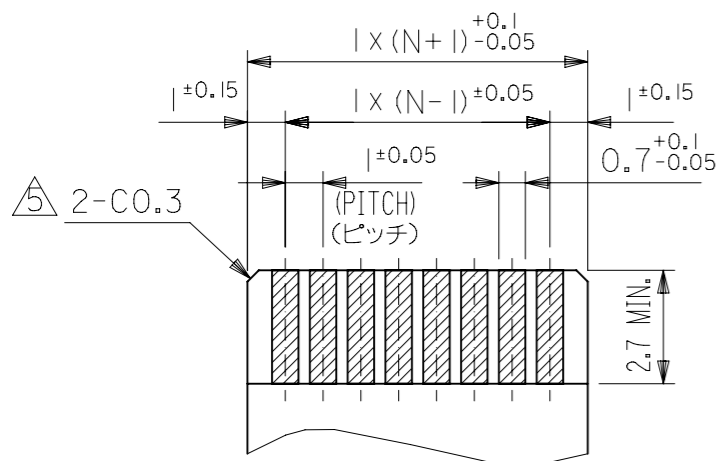
36.6	34.85	31.2	29	52610-30	34	30
34.6	32.85	29.2	27	-28	34	28
32.6	30.85	27.2	25	-26	34	26
31.6	29.85	26.2	24	-25	34	25
30.6	28.85	25.2	23	-24	34	24
26.6	24.85	21.2	19	-20	34	20
25.6	23.85	20.2	18	-19	34	19
22.6	20.85	17.2	15	-16	34	16
20.6	18.85	15.2	13	-14	34	14
16.6	14.85	11.2	9	-10	34	10
15.6	13.85	10.2	8	-09	34	9
14.6	12.85	9.2	7	-08	34	8
13.6	11.85	8.2	6	-07	34	7
D	(C)	B	(A)	EMBOSSED PACKAGE		極数
				ORDER No. オーダー番号		CKT.

CONNECTOR SERIES NO. : 52610-\*\*23

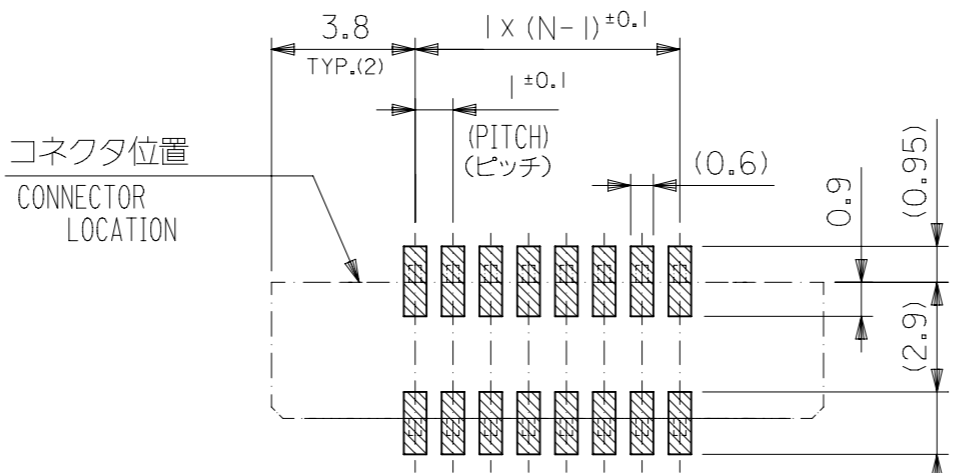
A

THIS DRAWING CONTAINS INFORMATION THAT IS PROPRIETARY TO MOLEX ELECTRONIC TECHNOLOGIES, LLC AND SHOULD NOT BE USED WITHOUT WRITTEN PERMISSION

DIMENSION UNITS	SCALE	CURRENT REV DESC: MIGRATED TO NX	
mm	NTS	<b>molex</b> 1.0 FPC CONN ZIF S/T HOUSING ASSY	
GENERAL TOLERANCES (UNLESS SPECIFIED)			
4 PLACES	±	EC NO: 626177	2019/10/03
3 PLACES	±	DRWN: RPRABHUM	2019/10/30
2 PLACES	±	CHK'D: GGA	2019/10/30
1 PLACE	±	APPR: GGA	2019/10/30
0 PLACES	±	INITIAL REVISION:	
ANGULAR TOL ± 3.0°		DRWN: AISHII	2013/02/20
DRAFT WHERE APPLICABLE MUST REMAIN WITHIN DIMENSIONS		APPR: KMORIKAWA	2013/03/15
THIRD ANGLE PROJECTION		DRAWING	SERIES
A3-SIZE		52610	MATERIAL NUMBER
SEE SHEET 2		CUSTOMER	REVISION
GENERAL MARKET		1 OF 2	

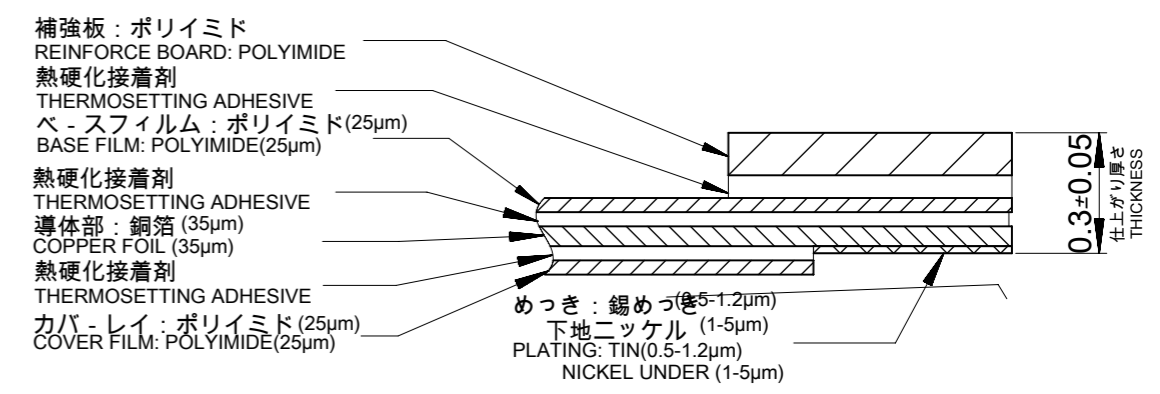


適合FPC推奨寸法  
APPLICABLE FPC RECOMMENDED DIM.  
仕上がり厚さ(THICKNESS) : 0.3 ±0.05



推奨基板レイアウト  
RECOMMENDED P.C.BOARD  
PATTERN DIMENSION.(REF.)

マスク厚 : 120µm  
マスク開口率 : 100%  
SCREEN THOCKNESS : 120 MICROMETER  
SCREEN OPEN RATIO : 100%



FPC構成推奨仕様  
STRUCTURE OF FPC

注記 (NOTES) :

- 材質 MATERIAL  
ハウジング : ポリアミド (PA), ナチュラル (白色), ガラス充填, UL94V-0  
HOUSING : POLYAMIDE, NATURAL(WHITE), GLASS FILLED, UL94V-0  
アクチュエータ : ポリフェニレンサルファイド (PPS), ナチュラル (茶色), ガラス充填, UL94V-0  
ACTUATOR : POLYPHENYLENE SULFID, NATURAL(BROWN), GLASS FILLED, UL94V-0  
ターミナル : リン青銅 (t=0.32)  
TERMINAL : PHOSPHOR BRONZE(t=0.32)
- めっき仕様 PLATING  
ターミナル TERMINAL  
錫銀ビスマスめっき (1.0µm以上)  
TIN SILVER BISMUTH PLATING (1.0 MICROMETER MINIMUM)  
下地 : ニッケルめっき (1.0µm以上)  
UNDER PLATING : NICKEL PLATING (1.0 MICROMETER MINIMUM)
- 3 ソルダータール半田付け面のズレ量は、基準面Fに対し上方向0.05MAX., 下方向0.15MAX.とする。  
MISALIGNMENT OF SOLDER TAILS FROM F UPPER DIRECTION : 0.05 MAX. LOWER DIRECTION : 0.15 MAX.
- 4 偶数極に適用  
APPLY FOR EVEN CIRCUIT.
- 5 R0.3はFPCの導体部にかからないこと。  
R0.3 MUST NOT BE OVERLAPED TO PATTERN OF FPC.
- 6 エンボステープ梱包時は、アクチュエータがロックした状態とする。  
IN THE PACKAGE, ACTUATOR OF PART NO.52610-\*\*23 SHOULD BE LOCKED.
- 7 ソルダータールの平坦度は0.1mm以下とする。  
SOLDERTAIL COPLANARITY IS 0.1MM MAXIMUM.

FPCについて ABOUT FPC

打ち抜き方向は導体側から補強板側を推奨します。  
導体部については軟箔銅35µmまたは50µmを推奨します。  
補強フィルム材質はポリイミドを推奨します。ベースフィルムは25µmを推奨します。  
接着剤は熱硬化接着剤を推奨します。  
尚、接着剤の接点部への付着は導通不良の原因になりますので、染み出しが無い様、お願い致します。  
RECOMMENDED PUNCHING DIRECTION: FROM CONDUCTOR SIDE TO STIFFENER SIDE  
RECOMMENDED CONDUCTOR SPEC: SOFT COPPER FOIL  
RECOMMENDED CONDUCTOR THICKNESS: 35 MICROMETER OR 50 MICROMETER  
RECOMMENDED STIFFENER MATERIAL: POLYIMIDE  
RECOMMENDED BASE FILM THICKNESS: 25 MICROMETER  
RECOMMENDED ADHESIVE: THERMOSETTING ADHESIVE  
NOTE: PLEASE PUT APPROPRIATE AMOUNT OF ADHESIVE ON ADHEREND BECAUSE THERE IS A POSSIBILITY THAT THE EXTRA ADHESIVE CAUSES THE DEFECT IN ELECTRICAL CONTINUITY.

THIS DRAWING CONTAINS INFORMATION THAT IS PROPRIETARY TO MOLEX ELECTRONIC TECHNOLOGIES, LLC AND SHOULD NOT BE USED WITHOUT WRITTEN PERMISSION

DIMENSION UNITS		SCALE		CURRENT REV DESC: MIGRATED TO NX		<b>molex</b>	
mm		NTS					
GENERAL TOLERANCES (UNLESS SPECIFIED)				EC NO: 626177		1.0 FPC CONN ZIF S/T HOUSING ASSY	
				DRWN: RPRABHUM 2019/10/03			
				CHK'D: GGA 2019/10/30			
				APPR: GGA 2019/10/30		PRODUCT CUSTOMER DRAWING	
				INITIAL REVISION:		DOCUMENT NUMBER	
				DRWN: AISHII 2013/02/20		SD-52610-050	
				APPR: KMORIKAWA 2013/03/15		DOC TYPE DOC PART REVISION	
						PSD 001 B1	
GENERAL TOLERANCES (UNLESS SPECIFIED)		ANGULAR TOL ± 3.0°		THIRD ANGLE PROJECTION		MATERIAL NUMBER	
10 UNDER ±0.2				DRAWING		CUSTOMER	
10 OVER 30 UNDER ±0.25				A3-SIZE		SERIES	
30 OVER ±0.3		DRAFT WHERE APPLICABLE MUST REMAIN WITHIN DIMENSIONS		52610		SHEET NUMBER	
				SEE SHEET 2		GENERAL MARKET	
						2 OF 2	

NOTES

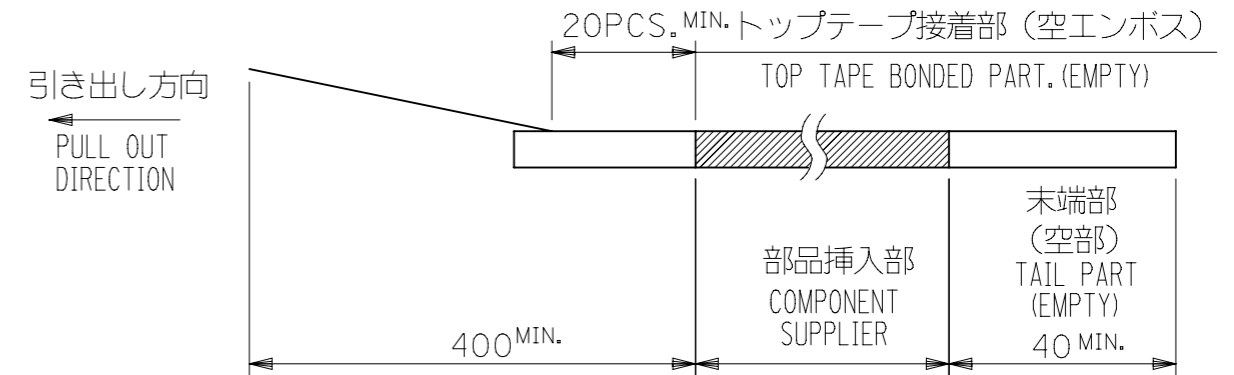
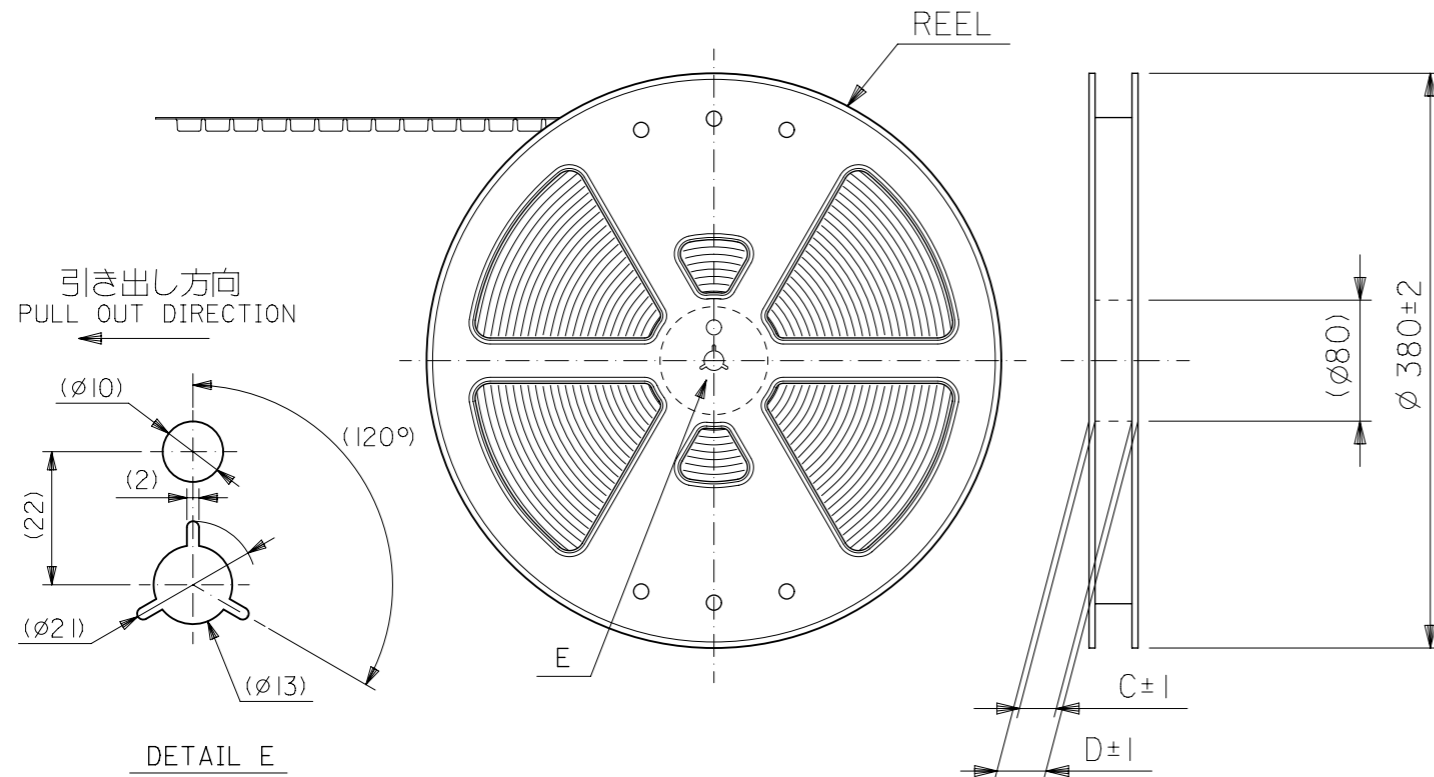
1. 52610-\*\*23のアクチュエータはハウジング内に押し下げた状態とする。  
 詳細寸法については図面SD-52610-050をご参照ください。  
 ACTUATOR OF PART NO. 52610-\*\*23 SHOULD BE LOCKED.  
 RE DETAILED DIMENSIONS, SEE SD-52610-050

2. 梱包数量：1000個 / リール  
 NUMBER OF CONNECTORS : 1000PCS/REEL

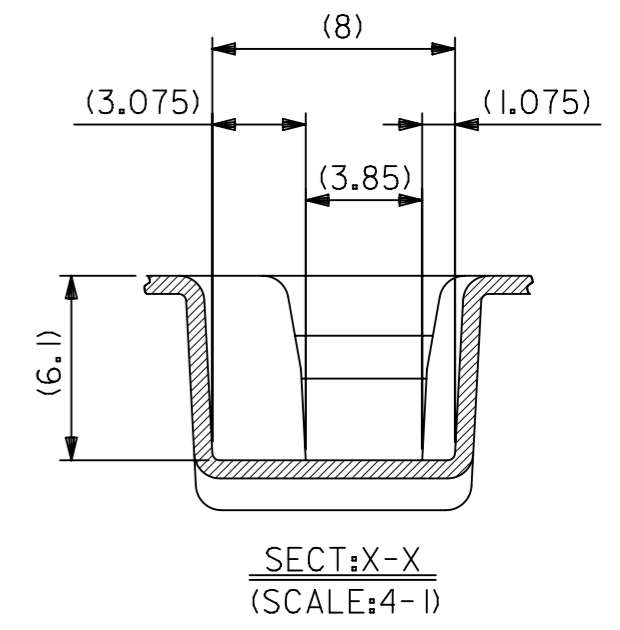
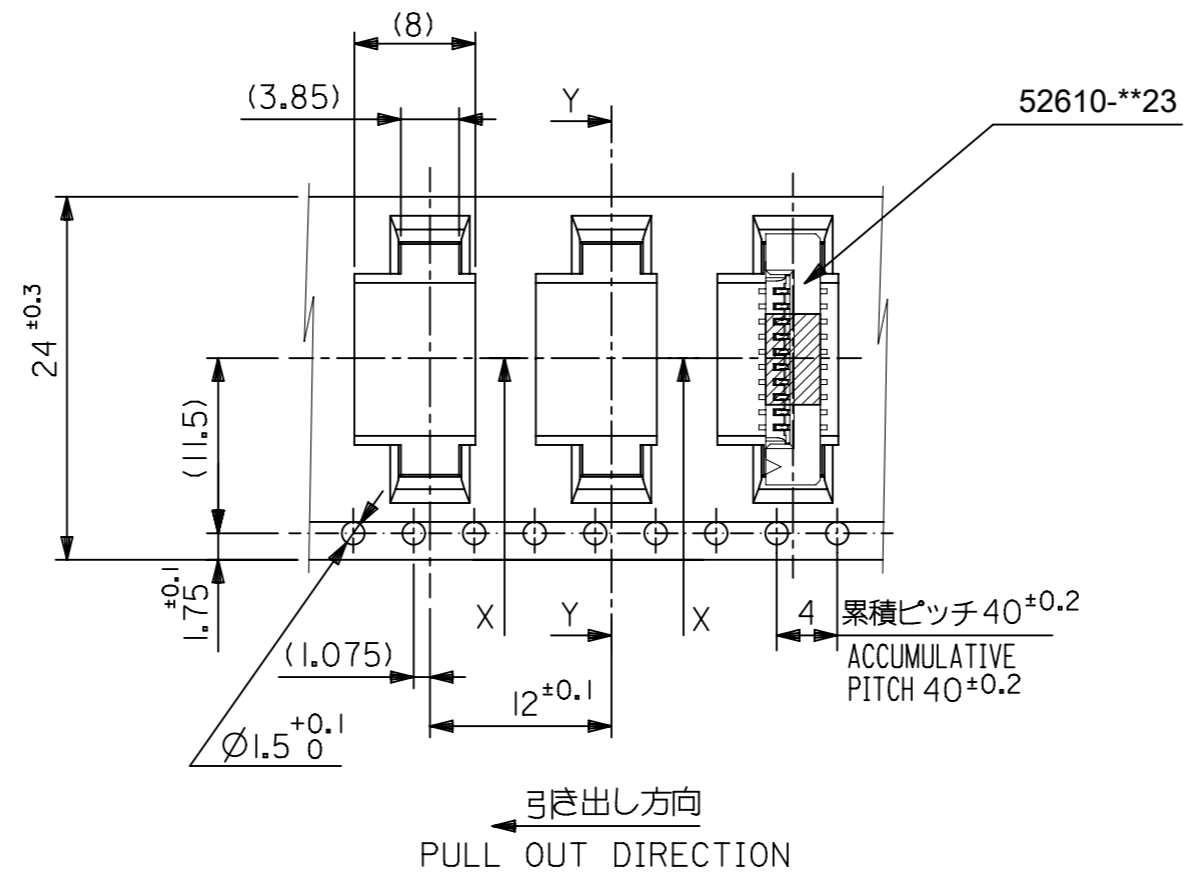
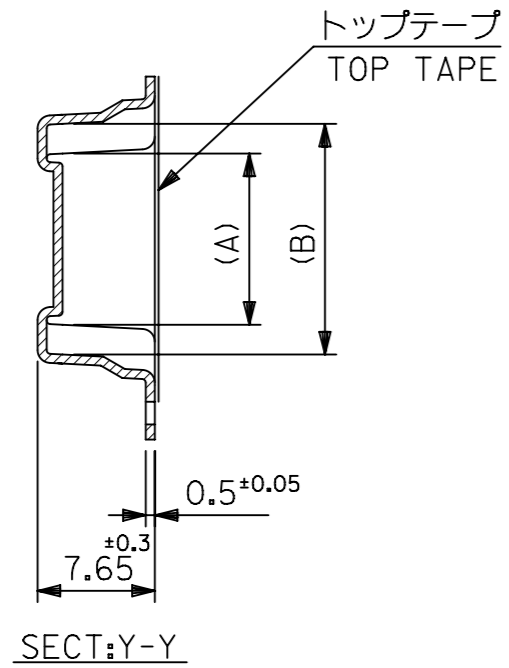
3. リードテープ長さ  
 LEAD TAPE LENGTH

4. カバーテープの剥離強度については、IEC60286-3に準拠  
 COVER TAPE PEEL FORCE IS DEFINED BY IEC60286-3.

5. 材料(MATERIAL)  
 キャリアテープ ( CARRIER TAPE ) : ポリプロピレン ( POLYPROPYLENE )  
 トップテープ ( TOP TAPE ) : PET, PE, PEF  
 リール(REEL) : ポリスチレン(PS)<リサイクル材を含む>  
 POLYSTYREN(PS) <RECYCLE MATERIAL CONTAINED>



THIS DRAWING CONTAINS INFORMATION THAT IS PROPRIETARY TO MOLEX ELECTRONIC TECHNOLOGIES, LLC AND SHOULD NOT BE USED WITHOUT WRITTEN PERMISSION		CURRENT REV DESC: MIGRATED TO NX		<b>molex</b>	
DIMENSION UNITS: mm		SCALE: NTS			
GENERAL TOLERANCES (UNLESS SPECIFIED)		EC NO: 626177		EMBOSS TAPE PACKAGED FOR 1.0 FPC CONN ZIF S/T HOUSING ASSY	
		DRWN: RPRABHUM 2019/10/03		DOCUMENT NUMBER: SD-52610-051	
		CHK'D: GGA 2019/10/30		DOC TYPE: PSD	
		APPR: GGA 2019/10/30		DOC PART: 001	
		INITIAL REVISION:		REVISION: A	
		DRWN: AISHII 2013/02/20			
		APPR: KMORIKAWA 2013/03/15			
10 <sup>UNDER</sup>		±0.2		MATERIAL NUMBER: SEE CHART	
10 <sup>OVER</sup> 30 <sup>UNDER</sup>		±0.25		CUSTOMER: GENERAL MARKET	
30 <sup>OVER</sup>		±0.3		SHEET NUMBER: 1 OF 5	
ANGULAR TOL ± 3.0°		DRAFT WHERE APPLICABLE MUST REMAIN WITHIN DIMENSIONS		THIRD ANGLE PROJECTION	
				DRAWING: A3-SIZE	
				SERIES: 52610	



24	29.4	25.4	15.25	11.32	52610-1034	10
			14.25	10.32	52610-0934	9
			13.25	9.32	52610-0834	8
			12.25	8.32	52610-0734	7
キャリアテープ幅 CARRIER TAPE WIDTH	D	C	(B)	(A)	MATERIAL. NO.	極数 CKT.

THIS DRAWING CONTAINS INFORMATION THAT IS PROPRIETARY TO MOLEX ELECTRONIC TECHNOLOGIES, LLC AND SHOULD NOT BE USED WITHOUT WRITTEN PERMISSION

CURRENT REV DESC: MIGRATED TO NX

**molex**

EMBOSS TAPE PACKAGED FOR  
1.0 FPC CONN ZIF S/T HOUSING ASSY

PRODUCT CUSTOMER DRAWING

DOCUMENT NUMBER: SD-52610-051 | DOC TYPE: PSD | DOC PART: 001 | REVISION: A

MATERIAL NUMBER: SEE CHART | CUSTOMER: GENERAL MARKET | SHEET NUMBER: 2 OF 5

EC NO: 626177 | DRWN: RPRABHUM | 2019/10/03  
CHK'D: GGA | 2019/10/30  
APPR: GGA | 2019/10/30

INITIAL REVISION:  
DRWN: AISHII | 2013/02/20  
APPR: KMORIKAWA | 2013/03/15

THIRD ANGLE PROJECTION

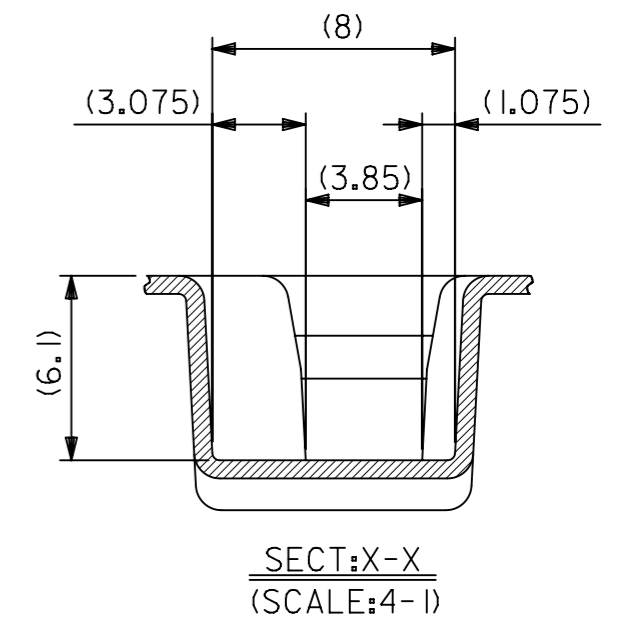
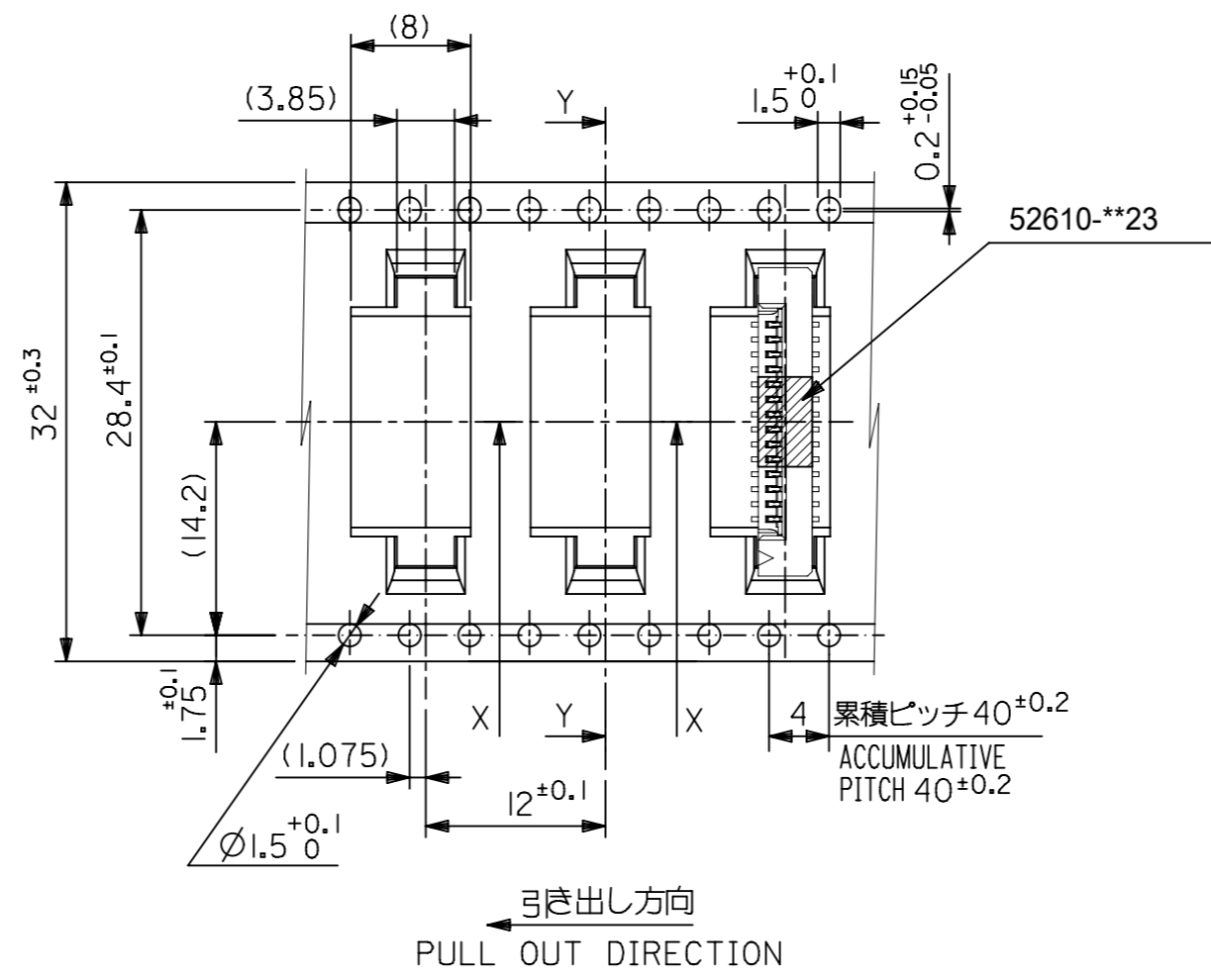
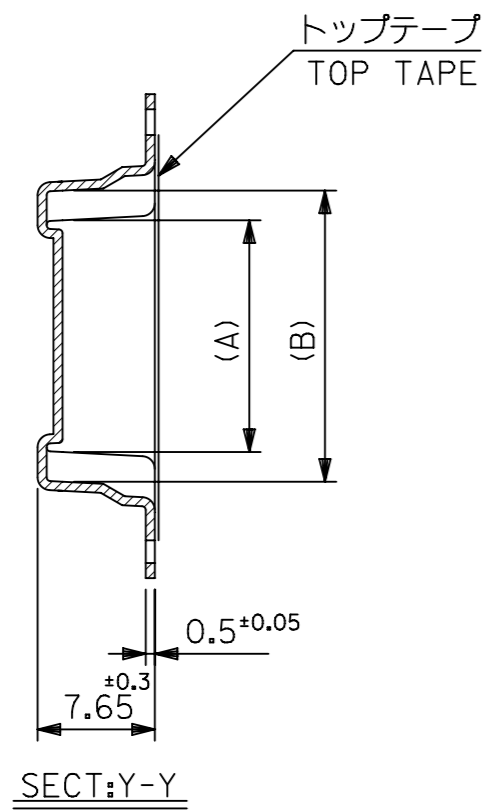
DRAWING: A3-SIZE | SERIES: 52610

GENERAL TOLERANCES (UNLESS SPECIFIED)

10 <sup>UNDER</sup>	±0.2
10 <sup>OVER</sup> 30 <sup>UNDER</sup>	±0.25
30 <sup>OVER</sup>	±0.3

ANGULAR TOL ± 3.0°

DRAFT WHERE APPLICABLE  
MUST REMAIN  
WITHIN DIMENSIONS



32	37.4	33.4	19.25	15.32	52610-1434	14
キャリアテープ幅 CARRIER TAPE WIDTH	D	C	(B)	(A)	MATERIAL. NO.	極数 CKT.

THIS DRAWING CONTAINS INFORMATION THAT IS PROPRIETARY TO MOLEX ELECTRONIC TECHNOLOGIES, LLC AND SHOULD NOT BE USED WITHOUT WRITTEN PERMISSION

SCALE: mm NTS

GENERAL TOLERANCES (UNLESS SPECIFIED)

GENERAL TOLERANCES (UNLESS SPECIFIED)	
4 PLACES	±
3 PLACES	±
2 PLACES	±
1 PLACE	±
0 PLACES	±

ANGULAR TOL ± 3.0°

DRAFT WHERE APPLICABLE MUST REMAIN WITHIN DIMENSIONS

THIRD ANGLE PROJECTION

DRAWING: A3-SIZE

SERIES: 52610

MATERIAL NUMBER: SEE CHART

CUSTOMER: GENERAL MARKET

SHEET NUMBER: 3 OF 5

EC NO: 626177  
DRWN: RPRABHUM 2019/10/03  
CHK'D: GGA 2019/10/30  
APPR: GGA 2019/10/30

INITIAL REVISION:  
DRWN: AISHII 2013/02/20  
APPR: KMORIKAWA 2013/03/15

DOCUMENT NUMBER: SD-52610-051  
DOC TYPE: PSD  
DOC PART: 001  
REVISION: A

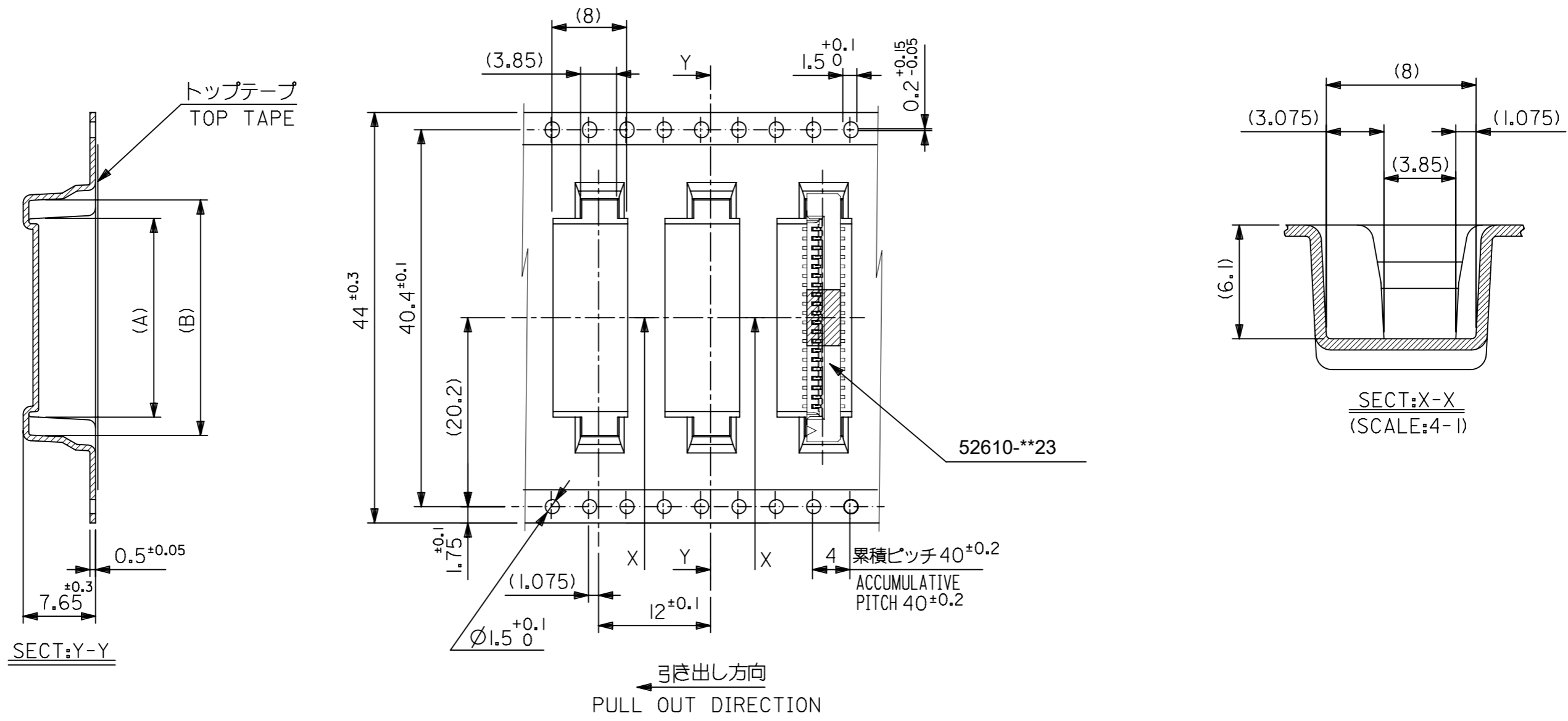
**molex**

EMBOSS TAPE PACKAGED FOR  
1.0 FPC CONN ZIF S/T HOUSING ASSY

PRODUCT CUSTOMER DRAWING

GENERAL TOLERANCES (UNLESS SPECIFIED)

10 <sup>UNDER</sup>	±0.2
10 <sup>OVER</sup> 30 <sup>UNDER</sup>	±0.25
30 <sup>OVER</sup>	±0.3



44	49.4	45.4	31.25	27.32	52610-2634	26	
			30.25	26.32	52610-2534	25	
			29.25	25.32	52610-2434	24	
			25.25	21.32	52610-2034	20	
			24.25	20.32	52610-1934	19	
			21.25	17.32	52610-1634	16	
キャリアテープ幅 CARRIER TAPE WIDTH		D	C	(B)	(A)	MATERIAL. NO.	極数 CKT.

THIS DRAWING CONTAINS INFORMATION THAT IS PROPRIETARY TO MOLEX ELECTRONIC TECHNOLOGIES, LLC AND SHOULD NOT BE USED WITHOUT WRITTEN PERMISSION

SCALE: mm NTS

GENERAL TOLERANCES (UNLESS SPECIFIED)

PLACES	TOLERANCE
4 PLACES	±
3 PLACES	±
2 PLACES	±
1 PLACE	±
0 PLACES	±

ANGULAR TOL ± 3.0°

DRAFT WHERE APPLICABLE MUST REMAIN WITHIN DIMENSIONS

THIRD ANGLE PROJECTION

CURRENT REV DESC: MIGRATED TO NX

**molex**

EMBOSS TAPE PACKAGED FOR 1.0 FPC CONN ZIF S/T HOUSING ASSY

PRODUCT CUSTOMER DRAWING

EC NO: 626177  
DRWN: RPRABHUM 2019/10/03  
CHK'D: GGA 2019/10/30  
APPR: GGA 2019/10/30

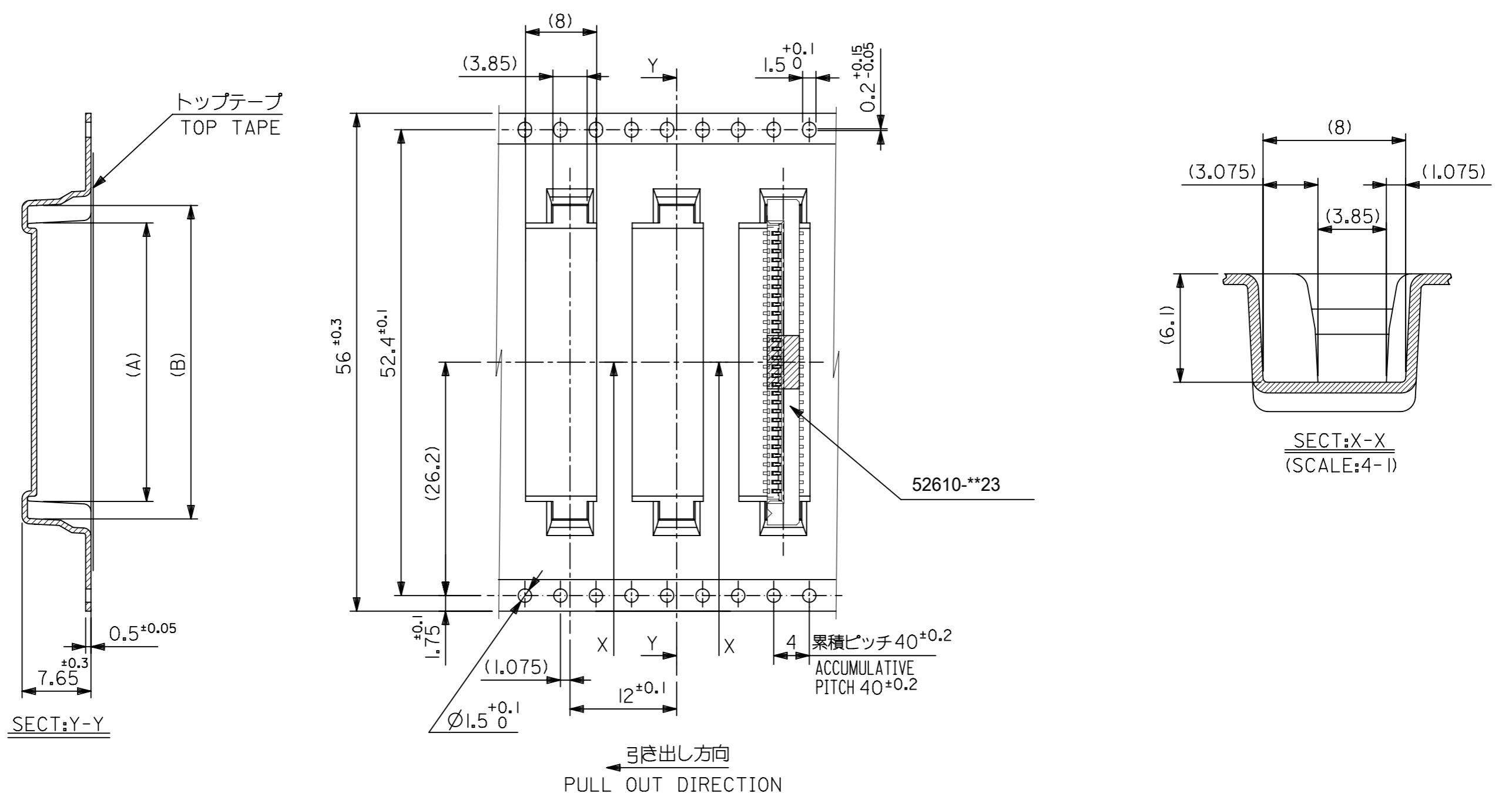
INITIAL REVISION:  
DRWN: AISHII 2013/02/20  
APPR: KMORIKAWA 2013/03/15

DOCUMENT NUMBER: SD-52610-051  
DOC TYPE: PSD  
DOC PART: 001  
REVISION: A

MATERIAL NUMBER: SEE CHART  
CUSTOMER: GENERAL MARKET  
SHEET NUMBER: 4 OF 5

GENERAL TOLERANCES (UNLESS SPECIFIED)

10 <sup>UNDER</sup>	±0.2
10 <sup>OVER</sup> 30 <sup>UNDER</sup>	±0.25
30 <sup>OVER</sup>	±0.3



56	61.4	57.4	35.25	31.32	52610-3034	30
			33.25	29.32	52610-2834	28
キャリアテープ幅 CARRIER TAPE WIDTH	D	C	(B)	(A)	MATERIAL. NO.	極数 CKT.

THIS DRAWING CONTAINS INFORMATION THAT IS PROPRIETARY TO MOLEX ELECTRONIC TECHNOLOGIES, LLC AND SHOULD NOT BE USED WITHOUT WRITTEN PERMISSION

SCALE: mm NTS

GENERAL TOLERANCES (UNLESS SPECIFIED)

PLACES	TOLERANCE
4 PLACES	±
3 PLACES	±
2 PLACES	±
1 PLACE	±
0 PLACES	±

ANGULAR TOL ± 3.0°

DRAFT WHERE APPLICABLE MUST REMAIN WITHIN DIMENSIONS

THIRD ANGLE PROJECTION

CURRENT REV DESC: MIGRATED TO NX

**molex**

EMBOSS TAPE PACKAGED FOR 1.0 FPC CONN ZIF S/T HOUSING ASSY

PRODUCT CUSTOMER DRAWING

INITIAL REVISION:  
DRWN: AISHII 2013/02/20  
APPR: KMORIKAWA 2013/03/15

DOCUMENT NUMBER: SD-52610-051  
DOC TYPE: PSD  
DOC PART: 001  
REVISION: A

MATERIAL NUMBER: SEE CHART  
CUSTOMER: GENERAL MARKET  
SHEET NUMBER: 5 OF 5

GENERAL TOLERANCES (UNLESS SPECIFIED)

10 <sup>UNDER</sup>	±0.2
10 <sup>OVER</sup> 30 <sup>UNDER</sup>	±0.25
30 <sup>OVER</sup>	±0.3