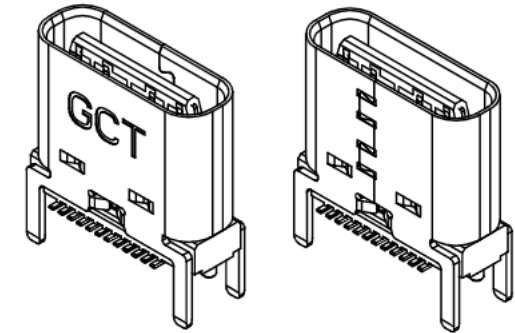


Section: A-A



Specifications

Material

Insulator: PA9T, UL 94V-0, Black
 Contact: Copper Alloy
 Mid Plate: Stainless Steel
 EMI Plate: Stainless Steel
 Shell: Stainless Steel

Plating

Contact
 Contact Area: 3u" Au over 50µ" min. Nickel
 Solder Tails: Gold Flash over 50µ" min. Nickel
 Shell: 30µ" min. Nickel
 Mid Plate: Clear
 EMI Plate: Clear

Electrical

Current Rating: 5.00A collectively for Vbus pins
 6.25A collectively for GND pins
 1.25A for A5/B5 pin
 0.25A per pin for all other pins

Voltage Rating: 48V DC

Power Rating: 240W

Contact Resistance: 40mΩ max initial.
 50mΩ max after test

Dielectric Withstanding Voltage: 100V AC

Insulation Resistance 100MΩ min

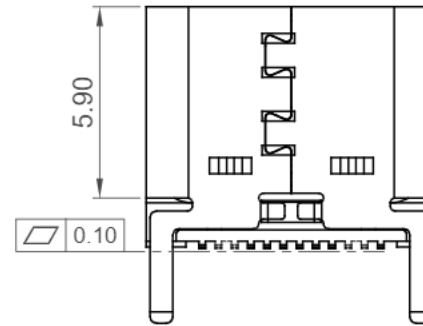
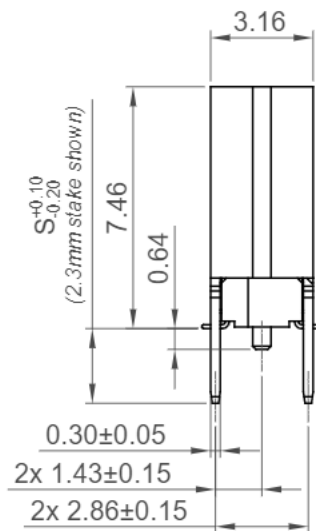
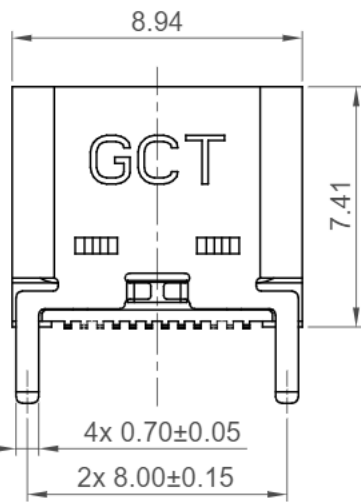
Mechanical & Environmental

Operating Temperature: -25°C to +85°C

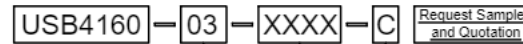
Mating Force: 5 to 20 N.

Unmated Force: 6 to 20 N after test

Durability: 20K cycles



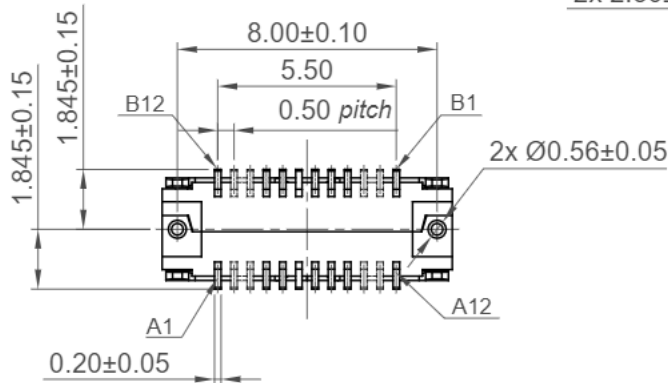
Ordering Grid



Contact Plating
 03 = 3u" Gold

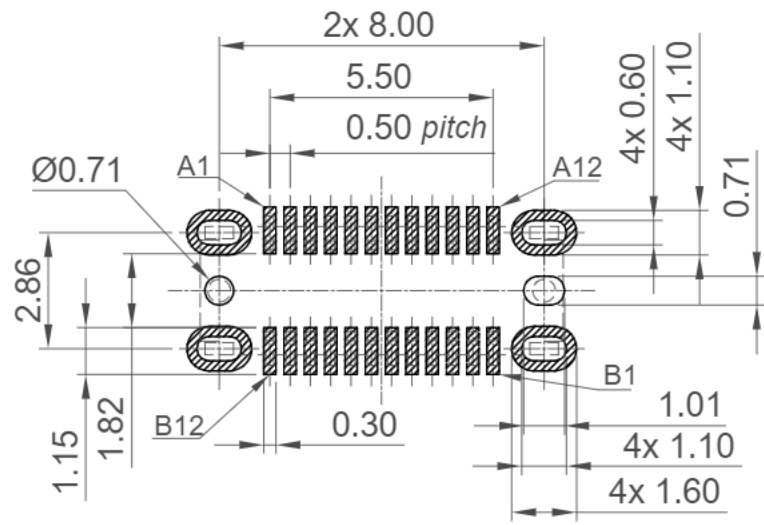
Packing Options
 C = Tape & Reel with Cap

Shell Stake Length "S"
 0070 = 0.70mm
 0170 = 1.70mm
 0230 = 2.30mm



Part Number		Product Description			This drawing is confidential and copyright of Global Connector Technology, Ltd (GCT). This drawing must not be copied or disclosed without written consent. E & OE
USB4160		USB3.2 Gen2, Type C Receptacle, Vertical, SMT, H=7.46mm, 24 Pin			
Drawing Date		28th June 2022			
By	CC	Tolerances (Except as Noted)	Units:		
Detail	Drawing Release	X.X ± 0.30	Metric (mm)		
Revision	A2	X.XX ± 0.20			
Date	31/01/23	X.XXX ± 0.10			
Not to Scale		Drawn By	CC	Sheet No.	1/4



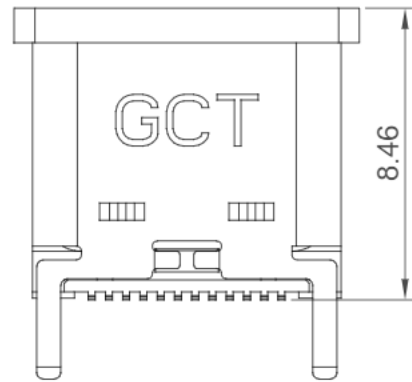
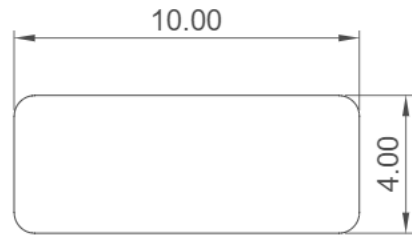


Recommended PCB Layout
Tolerance: $\pm 0.05\text{mm}$

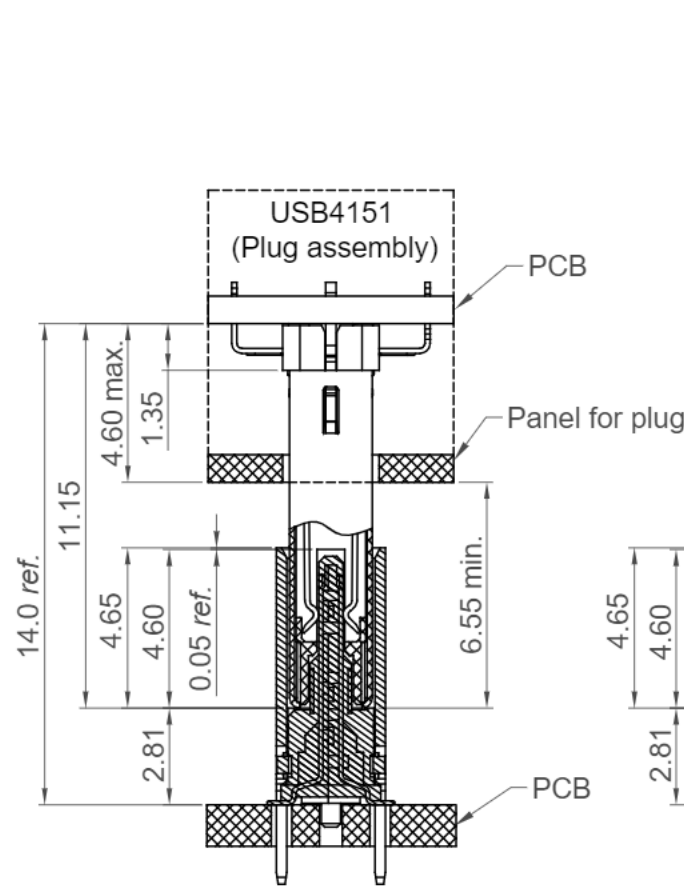
Solder Area
 Keep Out Area
 Component Outline

Pin	Signal	Mating Sequence	Pin	Signal	Mating Sequence
A1	GND	First	B12	GND	First
A2	SSTXp1	Second	B11	SSRXp1	Second
A3	SSTXn1	Second	B10	SSRXn1	Second
A4	Vbus	First	B9	Vbus	First
A5	CC1	Second	B8	SBU2	Second
A6	Dp1	Second	B7	Dn2	Second
A7	Dn1	Second	B6	Dp2	Second
A8	SBU1	Second	B5	CC2	Second
A9	Vbus	First	B4	Vbus	First
A10	SSRXn2	Second	B3	SSTXn2	Second
A11	SSRXp2	Second	B2	SSTXp2	Second
A12	GND	First	B1	GND	First
SHELL		GND	SHELL		GND

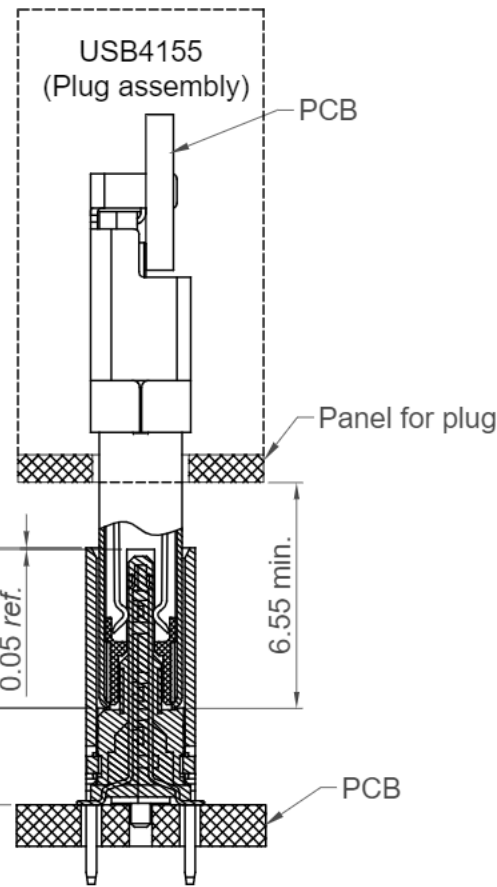
Part Number USB4160		Product Description USB3.2 Gen2, Type C Receptacle, Vertical, SMT, H=7.46mm, 24 Pin			
Drawing Date 28th June 2022					
By CC	Tolerances (Except as Noted)		Units: Metric (mm)	 This drawing is confidential and copyright of Global Connector Technology, Ltd (GCT). This drawing must not be copied or disclosed without written consent. E & OE	
Detail Drawing Release	Length X.X \pm 0.30 X.XX \pm 0.20 X.XXX \pm 0.10		Angle -		
Revision A2					
Date 31/01/23					
		 3rd Angle Projection		 www.gct.co	
Not to Scale	Drawn By CC	Sheet No. 2/4			



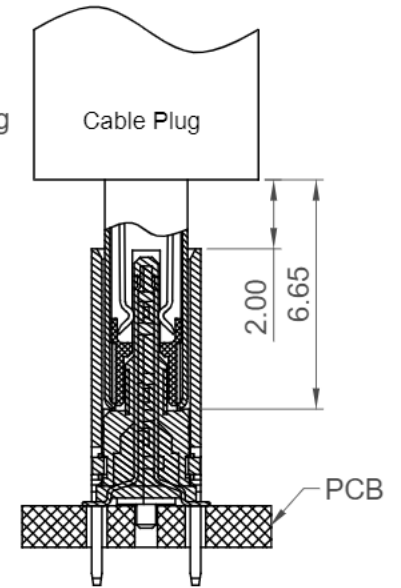
Cap Information



USB4160
(Receptacle assembly)



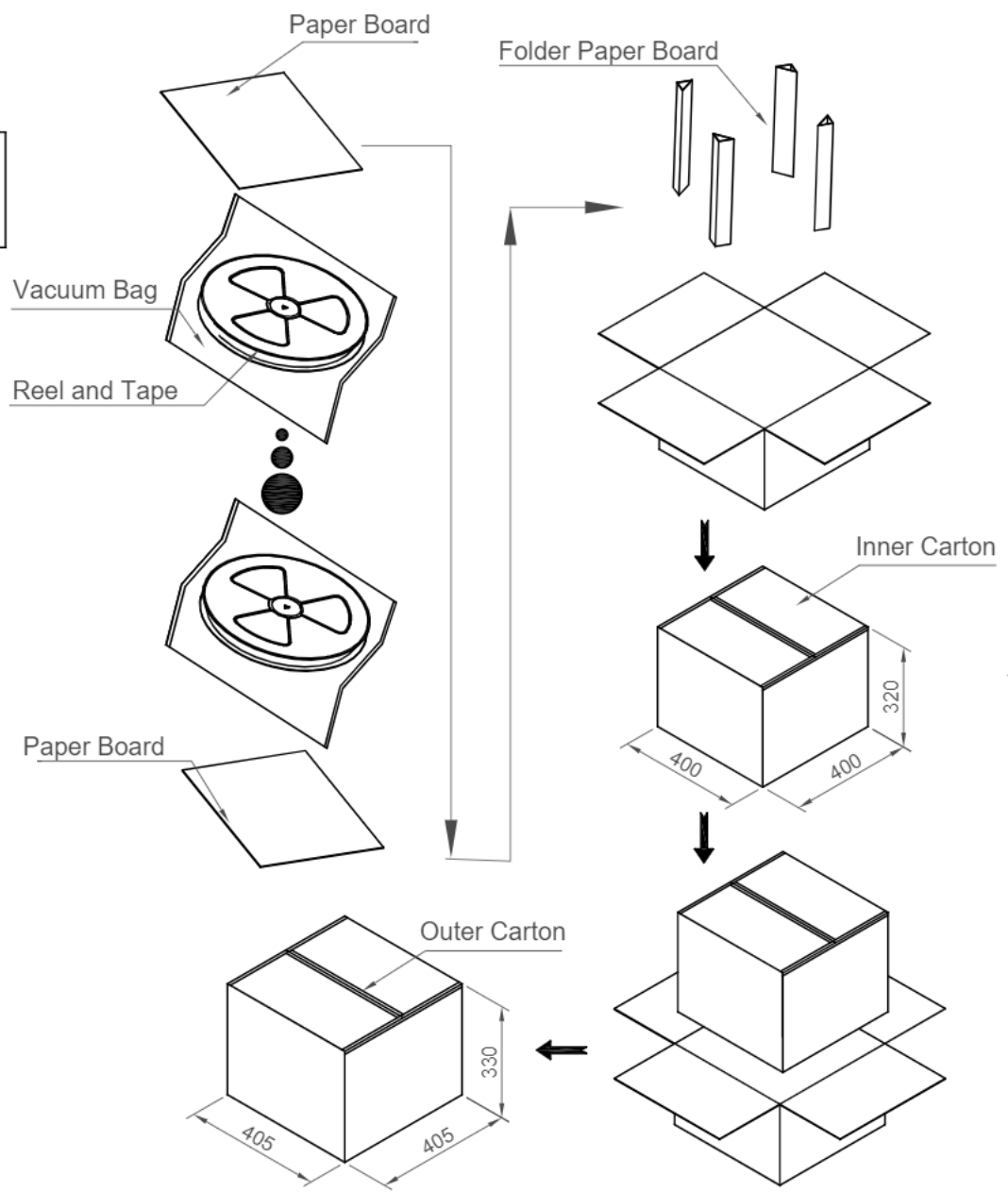
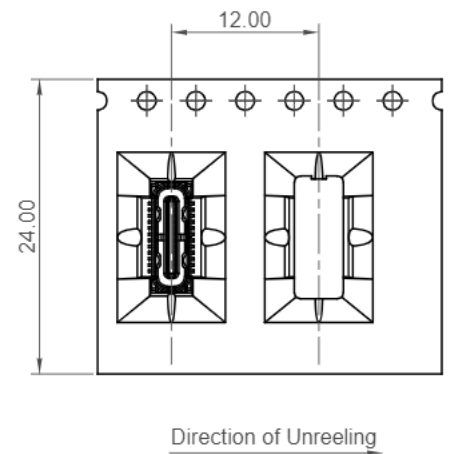
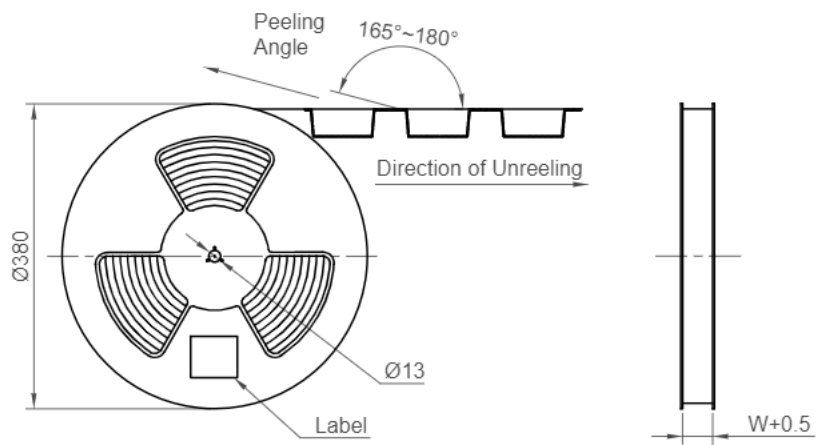
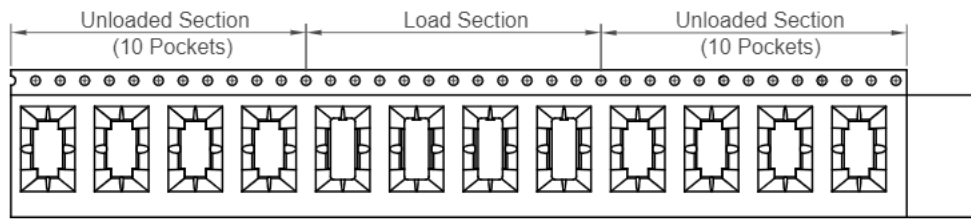
USB4160
(Receptacle assembly)



USB4160
(Receptacle assembly)

Plug and Receptacle Mating View

Part Number		Product Description		 www.gct.co
USB4160		USB3.2 Gen2, Type C Receptacle, Vertical, SMT, H=7.46mm, 24 Pin		
Drawing Date		28th June 2022		
By	CC	Tolerances (Except as Noted)	Units:	 This drawing is confidential and copyright of Global Connector Technology, Ltd (GCT). This drawing must not be copied or disclosed without written consent. E & OE
Detail	Drawing Release	Length	Metric (mm)	
Revision	A2	X.X ± 0.30	 2nd Angle Projection	
Date	31/01/23	X.XX ± 0.20		
		X.XXX ± 0.10		 Not to Scale
				Drawn By CC
				Sheet No. 3/4



Part Number	Pcs / Reel	Reels / Carton	Total Quantity
USB4160-03-0070-C	700	10	7,000 pcs
USB4160-03-0170-C	600	10	6,000 pcs
USB4160-03-0230-C	600	10	6,000 pcs

Part Number USB4160		Product Description USB3.2 Gen2, Type C Receptacle, Vertical, SMT, H=7.46mm, 24 Pin	
Drawing Date 28th June 2022			
By CC	Tolerances (Except as Noted)	Units: Metric (mm)	 This drawing is confidential and copyright of Global Connector Technology, Ltd (GCT). This drawing must not be copied or disclosed without written consent. E & OE
Detail Drawing Release	Length X.X ± 0.30	 2nd Angle Projection	
Revision A2	Angle X.XX ± 0.20		
Date 31/01/23	X.XXX ± 0.10		

GCT
www.gct.co

Not to Scale Drawn By CC Sheet No. 4/4