



# CAT24WC32/64

## 32K/64K-Bit I<sup>2</sup>C Serial CMOS EEPROM

### FEATURES

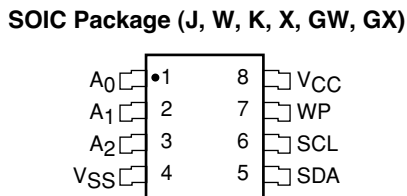
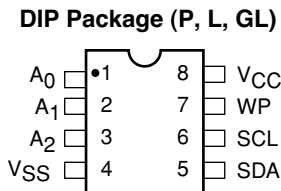
- 400 KHz I<sup>2</sup>C bus compatible\*
- 1.8 to 5.5 volt read and write operation
- Cascadable for up to eight devices
- 32/64-Byte page write buffer
- Self-timed write cycle with auto-clear
- 8-pin DIP or 8-pin SOIC
- Schmitt trigger inputs for noise protection
- Commercial, industrial, automotive and extended automotive temperature ranges
- Write protection
  - Entire array protected when WP at V<sub>IH</sub>
- 1,000,000 Program/erase cycles
- 100 year data retention

### DESCRIPTION

The CAT24WC32/64 is a 32K/64K-bit Serial CMOS E<sup>2</sup>PROM internally organized as 4096/8192 words of 8 bits each. Catalyst's advanced CMOS technology substantially reduces device power requirements. The

CAT24WC32/64 features a 32-byte page write buffer. The device operates via the I<sup>2</sup>C bus serial interface and is available in 8-pin DIP or 8-pin SOIC packages.

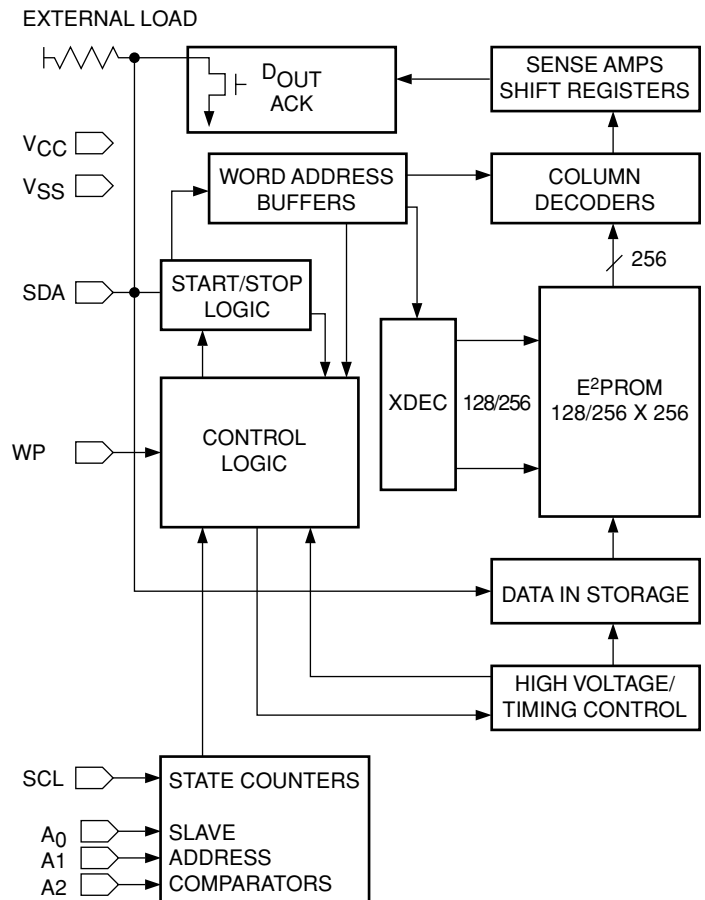
### PIN CONFIGURATION



### PIN FUNCTIONS

Pin Name	Function
A0, A1, A2	Device Address Inputs
SDA	Serial Data/Address
SCL	Serial Clock
WP	Write Protect
V <sub>CC</sub>	+1.8V to +5.5V Power Supply
V <sub>SS</sub>	Ground

### BLOCK DIAGRAM



\* Catalyst Semiconductor is licensed by Philips Corporation to carry the I<sup>2</sup>C Bus Protocol.

**ABSOLUTE MAXIMUM RATINGS\***

Temperature Under Bias ..... -55°C to +125°C  
 Storage Temperature ..... -65°C to +150°C  
 Voltage on Any Pin with  
     Respect to Ground<sup>(1)</sup> ..... -2.0V to +V<sub>CC</sub> + 2.0V  
 V<sub>CC</sub> with Respect to Ground ..... -2.0V to +7.0V  
 Package Power Dissipation  
     Capability (T<sub>a</sub> = 25°C) ..... 1.0W  
 Lead Soldering Temperature (10 secs) ..... 300°C  
 Output Short Circuit Current<sup>(2)</sup> ..... 100mA

**\*COMMENT**

Stresses above those listed under “Absolute Maximum Ratings” may cause permanent damage to the device. These are stress ratings only, and functional operation of the device at these or any other conditions outside of those listed in the operational sections of this specification is not implied. Exposure to any absolute maximum rating for extended periods may affect device performance and reliability.

**RELIABILITY CHARACTERISTICS**

Symbol	Parameter	Min.	Max.	Units
N <sub>END</sub> <sup>(3)</sup>	Endurance	1,000,000		Cycles/Byte
T <sub>DR</sub> <sup>(3)</sup>	Data Retention	100		Years
V <sub>ZAP</sub> <sup>(3)</sup>	ESD Susceptibility	2000		Volts
I <sub>LTH</sub> <sup>(3)(4)</sup>	Latch-up	100		mA

**D.C. OPERATING CHARACTERISTICS**

V<sub>CC</sub> = +1.8V to +5.5V, unless otherwise specified.

Symbol	Parameter	Limits			Units	Test Conditions
		Min.	Typ.	Max.		
I <sub>CC</sub>	Power Supply Current			3	mA	f <sub>SCL</sub> = 100 KHz
I <sub>SB</sub> <sup>(5)</sup>	Standby Current (V <sub>CC</sub> = 5V)			1	μA	V <sub>IN</sub> = GND or V <sub>CC</sub>
I <sub>LI</sub>	Input Leakage Current			10	μA	V <sub>IN</sub> = GND to V <sub>CC</sub>
I <sub>LO</sub>	Output Leakage Current			10	μA	V <sub>OUT</sub> = GND to V <sub>CC</sub>
V <sub>IL</sub>	Input Low Voltage	-1		V <sub>CC</sub> × 0.3	V	
V <sub>IH</sub>	Input High Voltage	V <sub>CC</sub> × 0.7		V <sub>CC</sub> + 0.5	V	
V <sub>OL1</sub>	Output Low Voltage (V <sub>CC</sub> = +3.0V)			0.4	V	I <sub>OL</sub> = 3.0 mA
V <sub>OL2</sub>	Output Low Voltage (V <sub>CC</sub> = +1.8V)			0.5	V	I <sub>OL</sub> = 1.5 mA

**CAPACITANCE** T<sub>A</sub> = 25°C, f = 1.0 MHz, V<sub>CC</sub> = 5V

Symbol	Test	Max.	Units	Conditions
C <sub>I/O</sub> <sup>(3)</sup>	Input/Output Capacitance (SDA)	8	pF	V <sub>I/O</sub> = 0V
C <sub>IN</sub> <sup>(3)</sup>	Input Capacitance (A0, A1, A2, SCL, WP)	6	pF	V <sub>IN</sub> = 0V

Note:

- (1) The minimum DC input voltage is -0.5V. During transitions, inputs may undershoot to -2.0V for periods of less than 20 ns. Maximum DC voltage on output pins is V<sub>CC</sub> + 0.5V, which may overshoot to V<sub>CC</sub> + 2.0V for periods of less than 20ns.
- (2) Output shorted for no more than one second. No more than one output shorted at a time.
- (3) These parameters are tested initially and after a design or process change that affects the parameter according to appropriate AEC-Q100 and JEDEC test methods.
- (4) Latch-up protection is provided for stresses up to 100 mA on address and data pins from -1V to V<sub>CC</sub> + 1V.
- (5) Maximum standby current (I<sub>SB</sub>) = 10μA for the Automotive and Extended Automotive temperature range.

## A.C. CHARACTERISTICS

V<sub>CC</sub> = +1.8V to +5.5V, unless otherwise specified  
 Output Load is 1 TTL Gate and 100pF

### Read & Write Cycle Limits

Symbol	Parameter	CAT24WCXX-1.8		CAT24WCXX			Units	
		1.8V-5.5V		2.5V-5.5V		4.5V-5.5V		
		Min.	Max.	Min.	Max.	Min.		Max.
F <sub>SCL</sub>	Clock Frequency		100		100		400	kHz
T <sub>I</sub> <sup>(1)</sup>	Noise Suppression Time Constant at SCL, SDA Inputs		200		200		200	ns
t <sub>AA</sub>	SCL Low to SDA Data Out and ACK Out		3.5		3.5		1	μs
t <sub>BUF</sub> <sup>(1)</sup>	Time the Bus Must be Free Before a New Transmission Can Start	4.7		4.7		1.2		μs
t <sub>HD:STA</sub>	Start Condition Hold Time	4		4		0.6		μs
t <sub>LOW</sub>	Clock Low Period	4.7		4.7		1.2		μs
t <sub>HIGH</sub>	Clock High Period	4		4		0.6		μs
t <sub>SU:STA</sub>	Start Condition Setup Time (for a Repeated Start Condition)	4.7		4.7		0.6		μs
t <sub>HD:DAT</sub>	Data In Hold Time	0		0		0		ns
t <sub>SU:DAT</sub>	Data In Setup Time	50		50		50		ns
t <sub>R</sub> <sup>(1)</sup>	SDA and SCL Rise Time		1		1		0.3	μs
t <sub>F</sub> <sup>(1)</sup>	SDA and SCL Fall Time		300		300		300	ns
t <sub>SU:STO</sub>	Stop Condition Setup Time	4		4		0.6		μs
t <sub>DH</sub>	Data Out Hold Time	100		100		100		ns

### Power-Up Timing (1)(2)

Symbol	Parameter	Max.	Units
t <sub>PUR</sub>	Power-Up to Read Operation	1	ms
t <sub>PUW</sub>	Power-Up to Write Operation	1	ms

Note:

(1) This parameter is tested initially and after a design or process change that affects the parameter.

(2) t<sub>PUR</sub> and t<sub>PUW</sub> are the delays required from the time V<sub>CC</sub> is stable until the specified operation can be initiated.

### Write Cycle Limits

Symbol	Parameter	Min.	Typ.	Max	Units
t <sub>WR</sub>	Write Cycle Time			10	ms

The write cycle time is the time from a valid stop condition of a write sequence to the end of the internal program/erase cycle. During the write cycle, the bus

interface circuits are disabled, SDA is allowed to remain high, and the device does not respond to its slave address.

## FUNCTIONAL DESCRIPTION

The CAT24WC32/64 supports the I<sup>2</sup>C Bus data transmission protocol. This Inter-Integrated Circuit Bus protocol defines any device that sends data to the bus to be a transmitter and any device receiving data to be a receiver. The transfer is controlled by the Master device which generates the serial clock and all START and STOP conditions for bus access. The CAT24WC32/64 operates as a Slave device. Both the Master device and Slave device can operate as either transmitter or receiver, but the Master device controls which mode is activated.

## PIN DESCRIPTIONS

### SCL: Serial Clock

The serial clock input clocks all data transferred into or out of the device.

### SDA: Serial Data/Address

The bidirectional serial data/address pin is used to transfer all data into and out of the device. The SDA pin is an open drain output and can be wire-ORed with other open drain or open collector outputs.

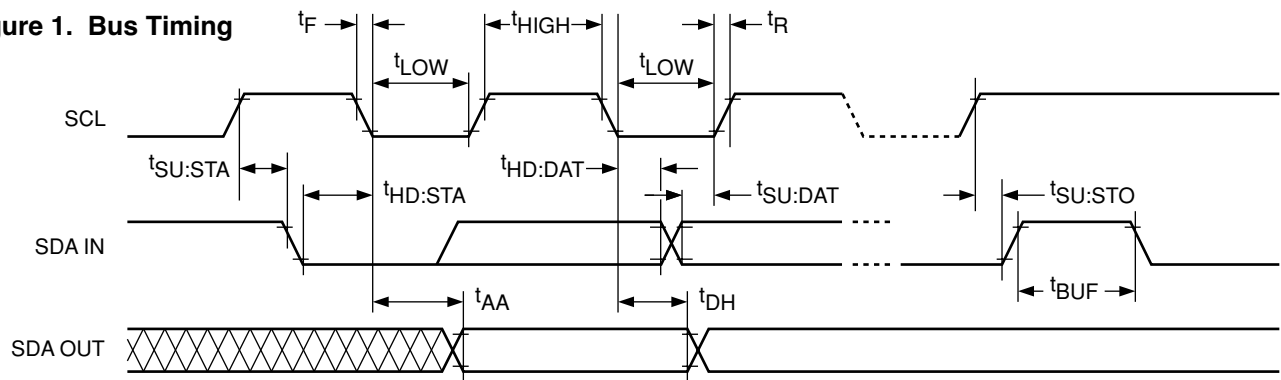
### A0, A1, A2: Device Address Inputs

These pins are hardwired or left unconnected (for hardware compatibility with CAT24WC16). When hardwired, up to eight CAT24WC32/64s may be addressed on a single bus system (refer to Device Addressing). When the pins are left unconnected, the default values are zeros.

### WP: Write Protect

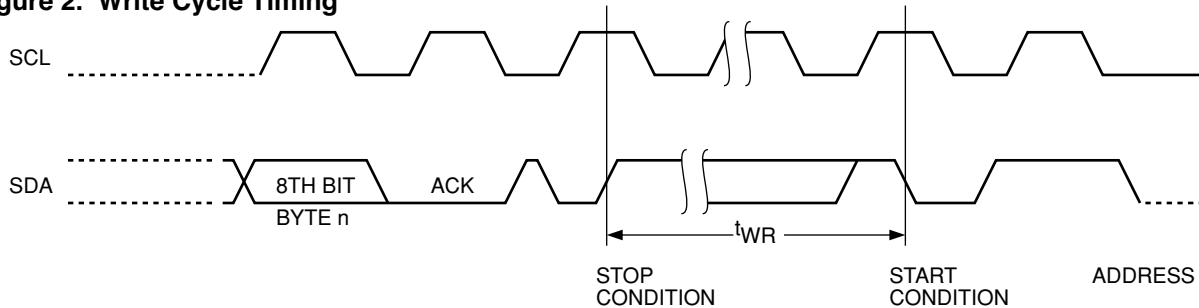
This input, when tied to GND, allows write operations to the entire memory. For CAT24WC32/64 when this pin is tied to Vcc, the entire memory is write protected. When left floating, memory is unprotected.

Figure 1. Bus Timing



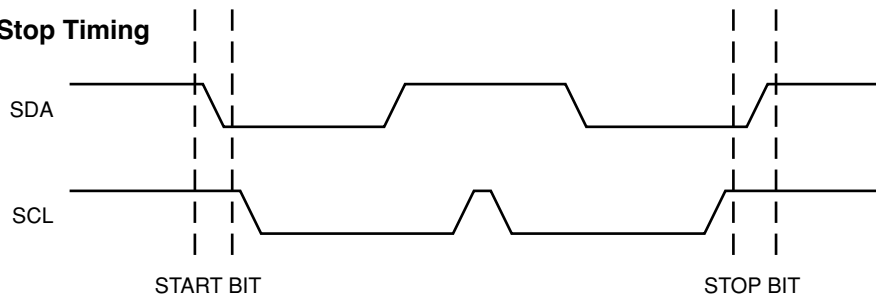
5020 FHD F03

Figure 2. Write Cycle Timing



5020 FHD F04

Figure 3. Start/Stop Timing



5020 FHD F05

## I<sup>2</sup>C BUS PROTOCOL

The features of the I<sup>2</sup>C bus protocol are defined as follows:

- (1) Data transfer may be initiated only when the bus is not busy.
- (2) During a data transfer, the data line must remain stable whenever the clock line is high. Any changes in the data line while the clock line is high will be interpreted as a START or STOP condition.

### START Condition

The START Condition precedes all commands to the device, and is defined as a HIGH to LOW transition of SDA when SCL is HIGH. The CAT24WC32/64 monitors the SDA and SCL lines and will not respond until this condition is met.

### STOP Condition

A LOW to HIGH transition of SDA when SCL is HIGH determines the STOP condition. All operations must end with a STOP condition.

## DEVICE ADDRESSING

The bus Master begins a transmission by sending a START condition. The Master sends the address of the particular slave device it is requesting. The four most significant bits of the 8-bit slave address are fixed as 1010 (Fig. 5). The next three bits (A2, A1, A0) are the device address bits; up to eight 32K/64K devices may be connected to the same bus. These bits must

compare to the hardwired input pins, A2, A1 and A0. The last bit of the slave address specifies whether a Read or Write operation is to be performed. When this bit is set to 1, a Read operation is selected, and when set to 0, a Write operation is selected.

After the Master sends a START condition and the slave address byte, the CAT24WC32/64 monitors the bus and responds with an acknowledge (on the SDA line) when its address matches the transmitted slave address. The CAT24WC32/64 then performs a Read or Write operation depending on the state of the R/W bit.

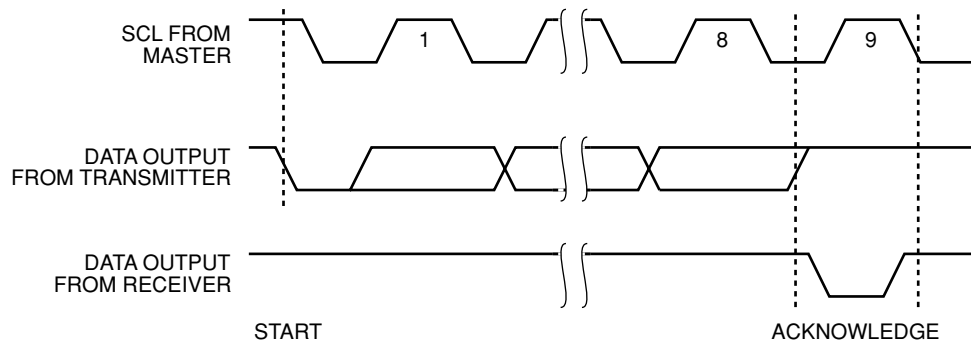
### Acknowledge

After a successful data transfer, each receiving device is required to generate an acknowledge. The Acknowledging device pulls down the SDA line during the ninth clock cycle, signaling that it received the 8 bits of data.

The CAT24WC32/64 responds with an acknowledge after receiving a START condition and its slave address. If the device has been selected along with a write operation, it responds with an acknowledge after receiving each 8-bit byte.

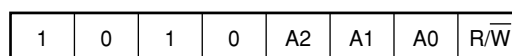
When the CAT24WC32/64 begins a READ mode it transmits 8 bits of data, releases the SDA line, and monitors the line for an acknowledge. Once it receives this acknowledge, the CAT24WC32/64 will continue to transmit data. If no acknowledge is sent by the Master, the device terminates data transmission and waits for a STOP condition. The master must then issue a stop condition to return the CAT24WC32/64 to the standby power mode and place the device in a known state.

Figure 4. Acknowledge Timing



5020 FHD F06

Figure 5. Slave Address Bits



5027 FHD F07

## WRITE OPERATIONS

### Byte Write

In the Byte Write mode, the Master device sends the START condition and the slave address information (with the  $R/\overline{W}$  bit set to zero) to the Slave device. After the Slave generates an acknowledge, the Master sends two 8-bit address words that are to be written into the address pointers of the CAT24WC32/64. After receiving another acknowledge from the Slave, the Master device transmits the data to be written into the addressed memory location. The CAT24WC32/64 acknowledges once more and the Master generates the STOP condition. At this time, the device begins an internal programming cycle to nonvolatile memory. While the cycle is in progress, the device will not respond to any request from the Master device.

### Page Write

The CAT24WC32/64 writes up to 32/64 bytes of data, in a single write cycle, using the Page Write operation. CAT24WC32/64, Die revision B = 32 byte page. CAT24WC64, Die revision D = 64 byte page. The page write operation is initiated in the same manner as the byte write operation, however instead of terminating after the initial byte is transmitted, the Master is allowed to send up to 31/63 additional bytes. After each byte has been transmitted, CAT24WC32/64 will respond with an acknowledge, and internally increment the five low order address bits by one. The high order bits remain unchanged.

If the Master transmits more than 32/64 bytes before sending the STOP condition, the address counter 'wraps around', and previously transmitted data will be overwritten.

When all 32/64 bytes are received, and the STOP condition has been sent by the Master, the internal programming cycle begins. At this point, all received data is written to the CAT24WC32/64 in a single write cycle.

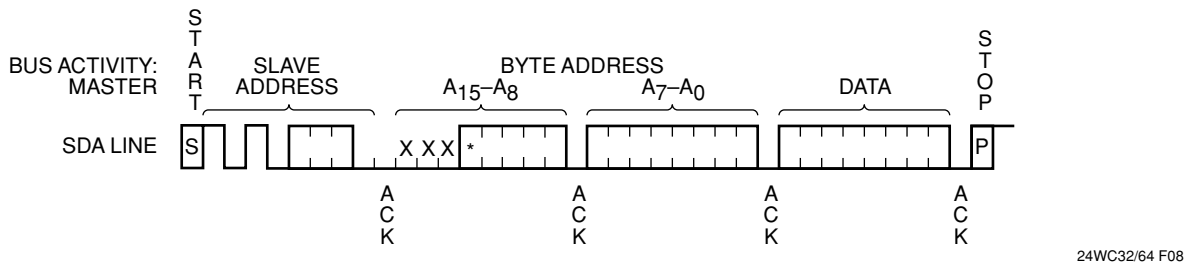
### Acknowledge Polling

Disabling of the inputs can be used to take advantage of the typical write cycle time. Once the stop condition is issued to indicate the end of the host's write operation, CAT24WC32/64 initiates the internal write cycle. ACK polling can be initiated immediately. This involves issuing the start condition followed by the slave address for a write operation. If CAT24WC32/64 is still busy with the write operation, no ACK will be returned. If CAT24WC32/64 has completed the write operation, an ACK will be returned and the host can then proceed with the next read or write operation.

## WRITE PROTECTION

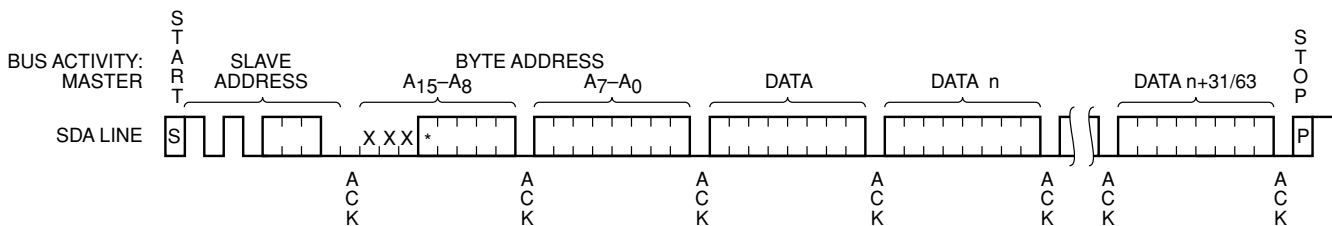
The Write Protection feature allows the user to protect against inadvertent programming of the memory array. If the WP pin is tied to  $V_{CC}$ , the entire memory array is protected and becomes read only. The CAT24WC32/64

Figure 6. Byte Write Timing



24WC32/64 F08

Figure 7. Page Write Timing



\* = Don't care bit for 24WC32  
X = Don't care bit

24WC32/64 F09

will accept both slave and byte addresses, but the memory location accessed is protected from programming by the device's failure to send an acknowledge after the first byte of data is received.

## READ OPERATIONS

The READ operation for the CAT24WC32/64 is initiated in the same manner as the write operation with one exception, that  $R/\overline{W}$  bit is set to one. Three different READ operations are possible: Immediate/Current Address READ, Selective/Random READ and Sequential READ.

### Immediate/Current Address Read

The CAT24WC32/64's address counter contains the address of the last byte accessed, incremented by one. In other words, if the last READ or WRITE access was to address N, the READ immediately following would access data from address N+1. If N=E (where E=4095 for 24WC32 and E=8191 for 24WC64), then the counter will 'wrap around' to address 0 and continue to clock out data. After the CAT24WC32/64 receives its slave address information (with the  $R/\overline{W}$  bit set to one), it issues an acknowledge, then transmits the 8 bit byte requested. The master device does not send an acknowledge, but will generate a STOP condition.

### Selective/Random Read

Selective/Random READ operations allow the Master device to select at random any memory location for a

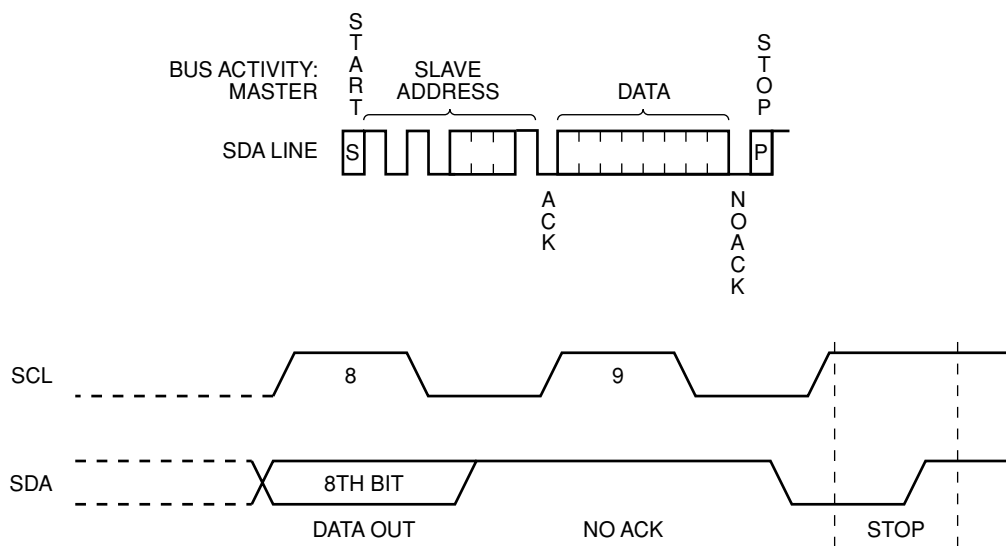
READ operation. The Master device first performs a 'dummy' write operation by sending the START condition, slave address and byte addresses of the location it wishes to read. After CAT24WC32/64 acknowledges, the Master device sends the START condition and the slave address again, this time with the  $R/\overline{W}$  bit set to one. The CAT24WC32/64 then responds with its acknowledge and sends the 8-bit byte requested. The master device does not send an acknowledge but will generate a STOP condition.

### Sequential Read

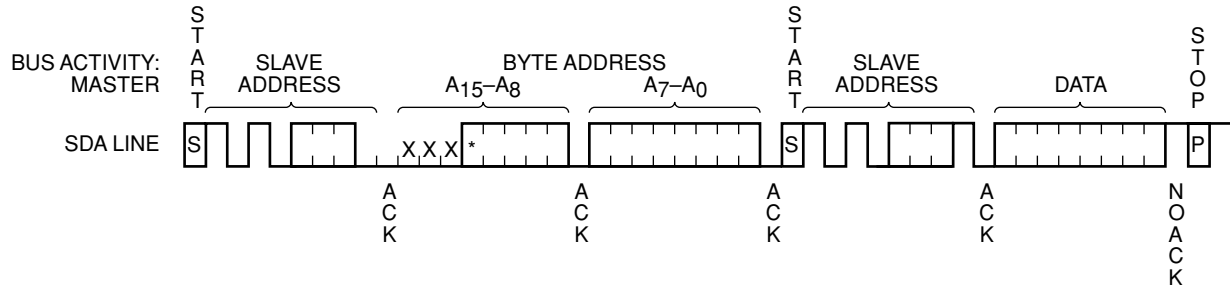
The Sequential READ operation can be initiated by either the Immediate Address READ or Selective READ operations. After the CAT24WC32/64 sends the initial 8-bit byte requested, the Master will respond with an acknowledge which tells the device it requires more data. The CAT24WC32/64 will continue to output an 8-bit byte for each acknowledge sent by the Master. The operation will terminate when the Master fails to respond with an acknowledge, thus sending the STOP condition.

The data being transmitted from CAT24WC32/64 is outputted sequentially with data from address N followed by data from address N+1. The READ operation address counter increments all of the CAT24WC32/64 address bits so that the entire memory array can be read during one operation. If more than E (where E=4095 for 24WC32 and E=8191 for 24WC64) bytes are read out, the counter will 'wrap around' and continue to clock out data bytes.

Figure 8. Immediate Address Read Timing



**Figure 9. Selective Read Timing**

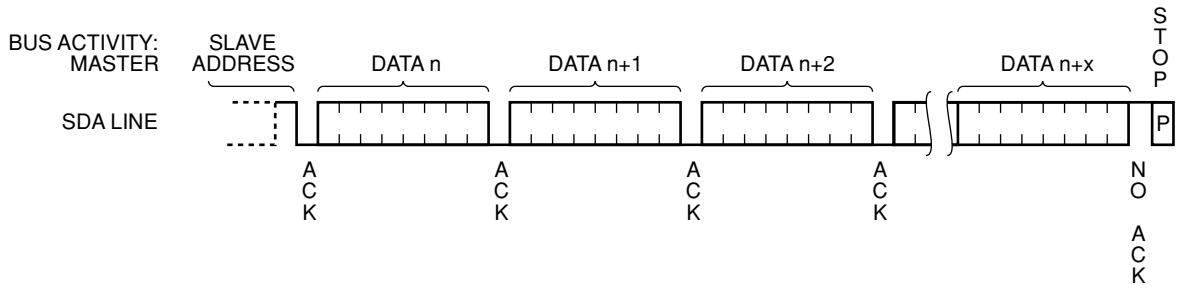


\* = Don't care bit for 24WC32

X= Don't care bit

24WC32/64 F11

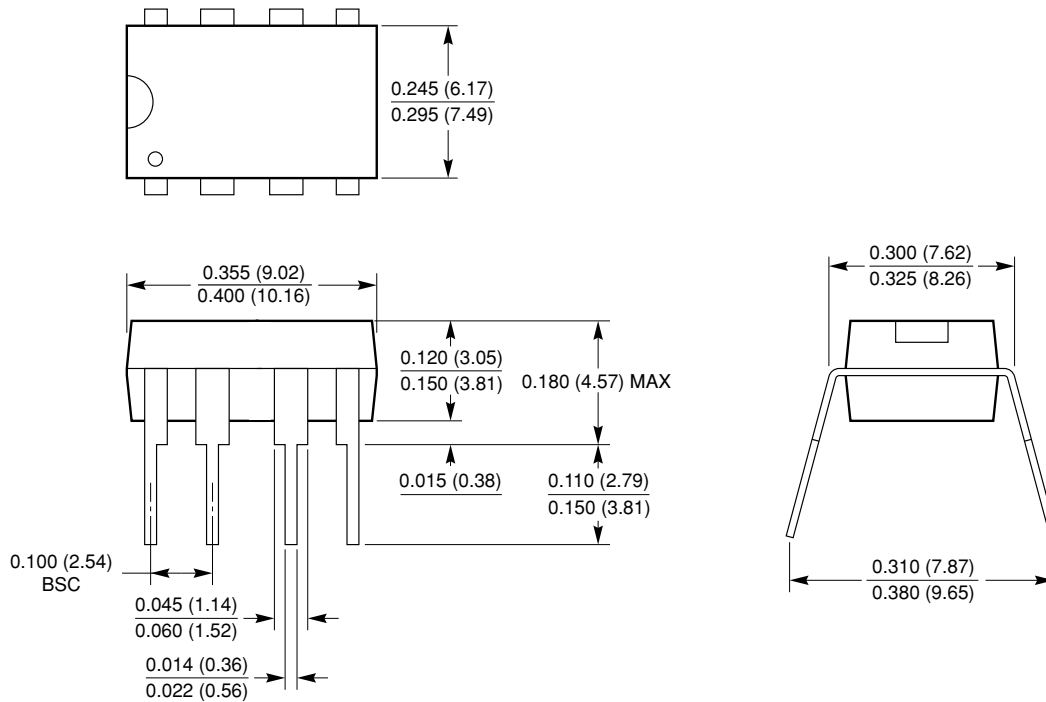
**Figure 10. Sequential Read Timing**



5020 FHD F12



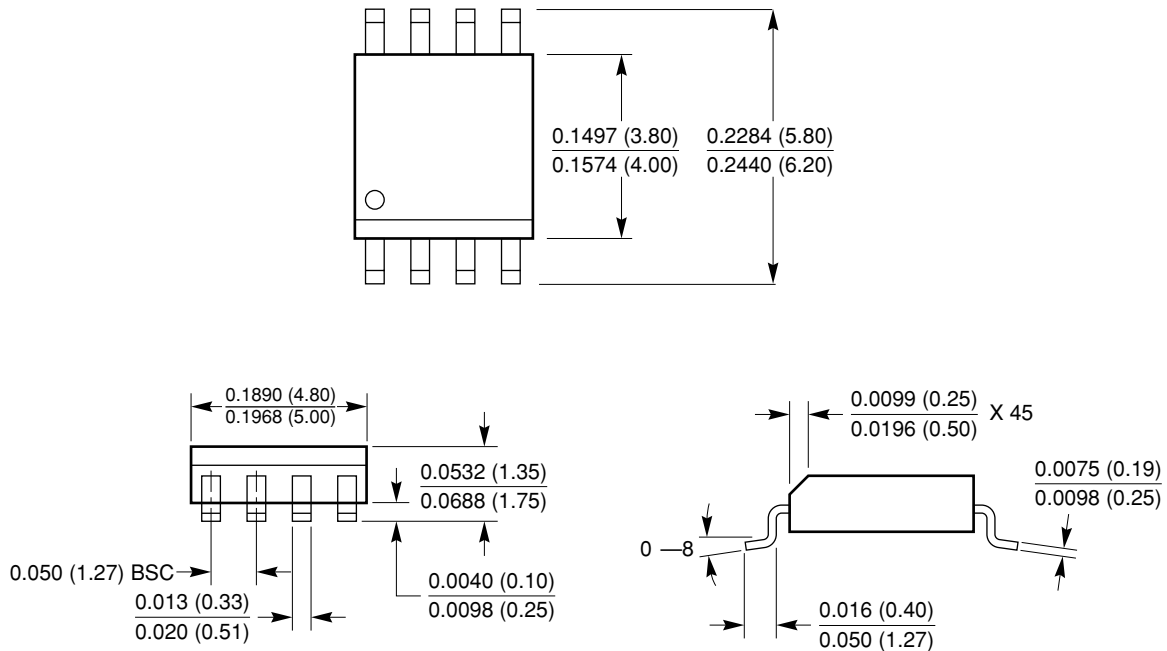
**8-LEAD 300 MIL WIDE PLASTIC DIP (P, L, GL)**



Notes:

1. Complies with JEDEC Publication 95 MS001 dimensions; however, some of the dimensions may be more stringent.
2. All linear dimensions are in inches and parenthetically in millimeters.

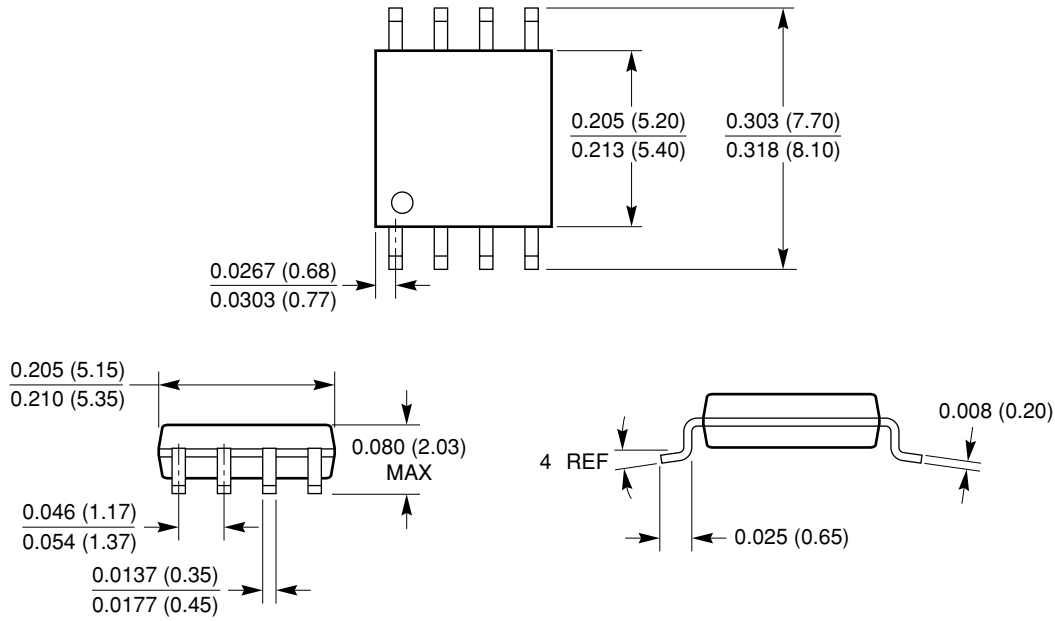
**8-LEAD 150 MIL WIDE SOIC (J, W, GW)**



Notes:

1. Complies with JEDEC publication 95 MS-012 dimensions; however, some dimensions may be more stringent.
2. All linear dimensions are in inches and parenthetically in millimeters.

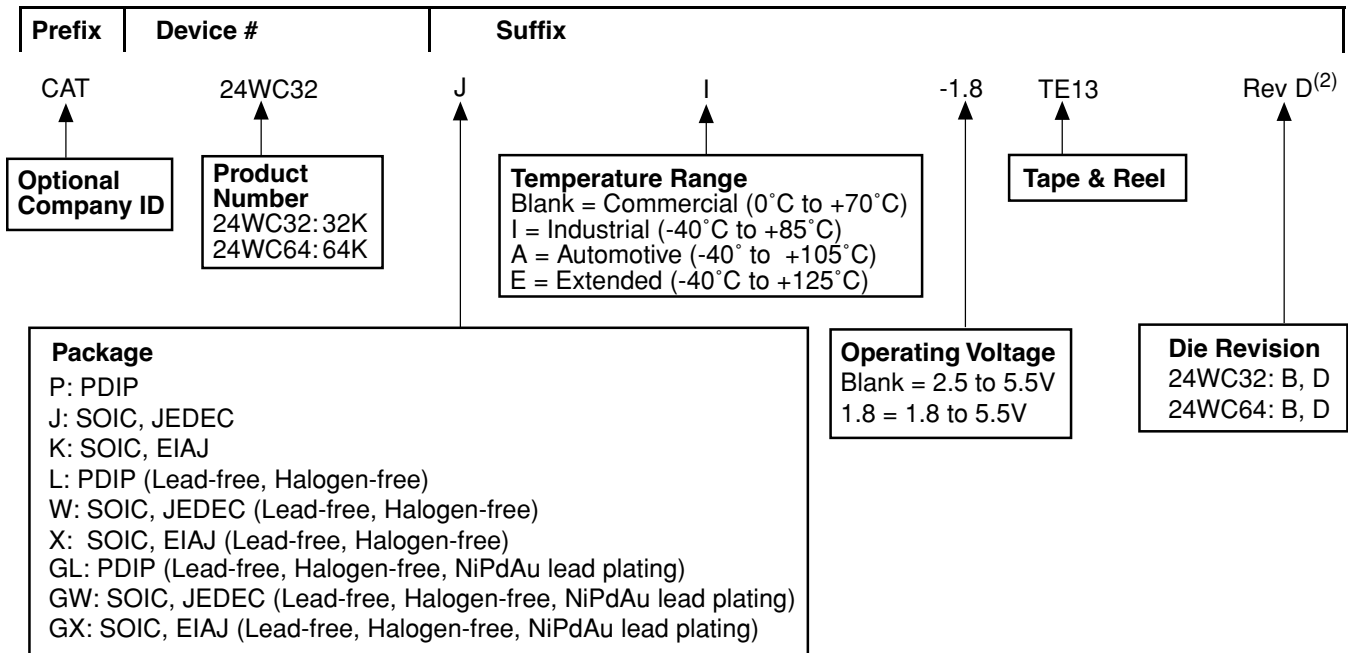
**8-LEAD 210 MIL WIDE SOIC (K, X, GX)**



**Note:**

1. All linear dimensions are in inches and parenthetically in millimeters.

## ORDERING INFORMATION



**Notes:**

- (1) The device used in the above example is a CAT24WC32JI-1.8TE13 (SOIC, Industrial Temperature, 1.8 Volt to 5.5 Volt Operating Voltage, Tape & Reel)
- (2) Product die revision letter is marked on top of the package as a suffix to the production date code (e.g., AYWWB). For additional information, please contact your Catalyst sales office.

## REVISION HISTORY

Date	Rev.	Reason
7/7/2004	E	Added die revision to Ordering Information
7/28/2004	F	Updated Features Updated DC operating characteristics and notes
08/17/2005	G	Edit Features Edit Pin Functions Edit Reliability Characteristics Edit D.C. Operating Characteristics Edit A.C. Characteristics Add Package Dimensions Edit Ordering Information

---

### Copyrights, Trademarks and Patents

Trademarks and registered trademarks of Catalyst Semiconductor include each of the following:

DPP™ AE<sup>2</sup>™ MiniPot™

Catalyst Semiconductor has been issued U.S. and foreign patents and has patent applications pending that protect its products. For a complete list of patents issued to Catalyst Semiconductor contact the Company's corporate office at 408.542.1000.

*CATALYST SEMICONDUCTOR MAKES NO WARRANTY, REPRESENTATION OR GUARANTEE, EXPRESS OR IMPLIED, REGARDING THE SUITABILITY OF ITS PRODUCTS FOR ANY PARTICULAR PURPOSE, NOR THAT THE USE OF ITS PRODUCTS WILL NOT INFRINGE ITS INTELLECTUAL PROPERTY RIGHTS OR THE RIGHTS OF THIRD PARTIES WITH RESPECT TO ANY PARTICULAR USE OR APPLICATION AND SPECIFICALLY DISCLAIMS ANY AND ALL LIABILITY ARISING OUT OF ANY SUCH USE OR APPLICATION, INCLUDING BUT NOT LIMITED TO, CONSEQUENTIAL OR INCIDENTAL DAMAGES.*

Catalyst Semiconductor products are not designed, intended, or authorized for use as components in systems intended for surgical implant into the body, or other applications intended to support or sustain life, or for any other application in which the failure of the Catalyst Semiconductor product could create a situation where personal injury or death may occur.

Catalyst Semiconductor reserves the right to make changes to or discontinue any product or service described herein without notice. Products with data sheets labeled "Advance Information" or "Preliminary" and other products described herein may not be in production or offered for sale.

Catalyst Semiconductor advises customers to obtain the current version of the relevant product information before placing orders. Circuit diagrams illustrate typical semiconductor applications and may not be complete.

---



Catalyst Semiconductor, Inc.  
Corporate Headquarters  
1250 Borregas Avenue  
Sunnyvale, CA 94089  
Phone: 408.542.1000  
Fax: 408.542.1200  
www.caalyst-semiconductor.com

Publication #: 1039  
Revision: G  
Issue date: 08/17/05