

NOTES:

1. MATERIALS AND FINISHES:

BODY & CONTACT - BeCu, GOLD PLATING  
INSULATOR - LCP E130i

2. ELECTRICAL:

- A. IMPEDANCE: 50 OHM
- B. FREQUENCY RANGE: DC - 20 GHz
- C. VSWR (RETURN LOSS): 1.10 MAX. (-26.4 dB MIN.) @ DC - 8 GHz  
1.22 MAX. (-20 dB MIN.) @ 8 - 20 GHz  
CONNECTOR ONLY, PERFORMANCE WILL VARY  
BASED ON BOARD LAYOUT
- D. DIELECTRIC WITHSTANDING VOLTAGE: 500 VRMS, MIN.

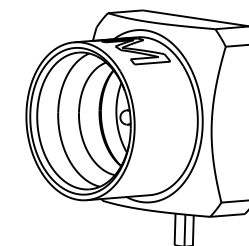
3. MECHANICAL:

- A. DURABILITY: 500 CYCLES MIN.
- B. TEMPERATURE RANGE: -65°C TO +165°C
- C. ENGAGEMENT FORCE: 10 LBS (45 N) MAX.
- D. DISENGAGEMENT FORCE: 2 LBS (9 N) MIN.
- E. INNER CONTACT RETENTION FORCE: 1.5 LBS (7 N) MIN.

4. PACKAGING:

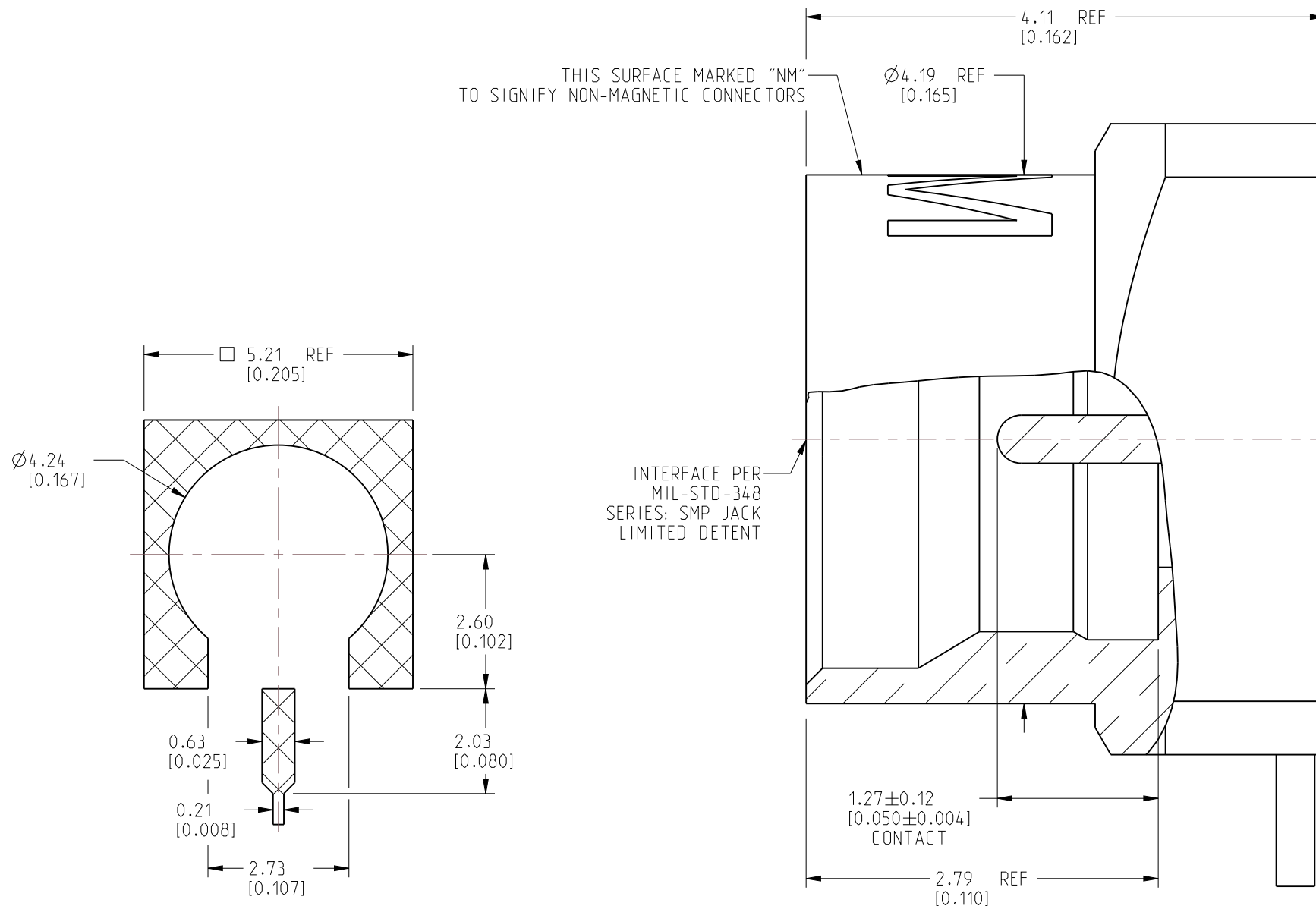
- A. QUANTITY: TAPE & REEL PACKAGING, 1400 PCS/REEL.
- B. MARKING: REEL TO BE MARKED  
"AMPHENOL RF, SMP-MSLD-PSR-NM AND DATE CODE"

REVISIONS				
REV	DESCRIPTION	DATE	ECN	BY
A	RELEASE TO MFG.	18-Nov-22	16309	SH



SCALE 5.000

THIS SURFACE MARKED "NM"  
TO SIGNIFY NON-MAGNETIC CONNECTORS



RECOMMENDED PCB LAYOUT DIMENSIONS

# NO MATERIAL OR PLATING SUBSTITUTIONS

# CUSTOMER OUTLINE DRAWING

ALL OTHER SHEETS ARE FOR INTERNAL USE ONLY

NOTICE: These drawings, specifications, or other data (1) are, and remain the property of Amphenol corp. (2) must be returned upon request; and (3) are confidential and not to be disclosed to any person other than those to whom they are given by Amphenol Corp. The furnishing of these drawings, specifications, or other data by Amphenol Corp., or to any other person to anyone for any purpose is not to be regarded by implication or otherwise in any manner licensing, granting rights to permitting such holder or any other person to manufacture, use or sell any product, process or design, patented or otherwise, that may in any way be related to or disclosed by said drawings, specifications, or other data.

UNLESS OTHERWISE SPECIFIED DIMENSIONS ARE METRIC (INCHES) AND TOLERANCES ARE:  
 <0.5mm = ±0.05mm [-0.020 = ±0.002]  
 0.5 - 6mm = ±0.1mm [-0.020 - 0.236 = ±0.004]  
 >6.00 - 30mm = ±0.2mm [-0.236 - 1.181 = ±0.008]  
 >30.00 - 120mm = ±0.3mm [-1.181 - 4.725 = ±0.012]

MATERIAL: SEE NOTES

TITLE: SMP STR JACK PCB RECEPTACLE LIMITED DETENT SURFACE MOUNT NON-MAGNETIC TAPE & REEL PACKED

## Amphenol RF

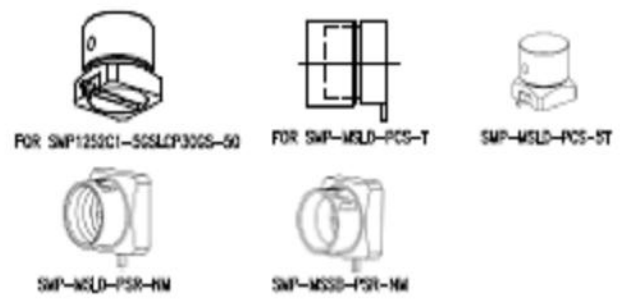
SIZE: B	DRAWING NO. SMP-MSLD-PSR-NM	REV: A
	ITEM NO. SMP-MSLD-PSR-NM	
	PART NO. SMP-MSLD-PSR-NM	

THIRD ANGLE PROJ.	REFERENCE	EAR# 8889
-------------------	-----------	-----------

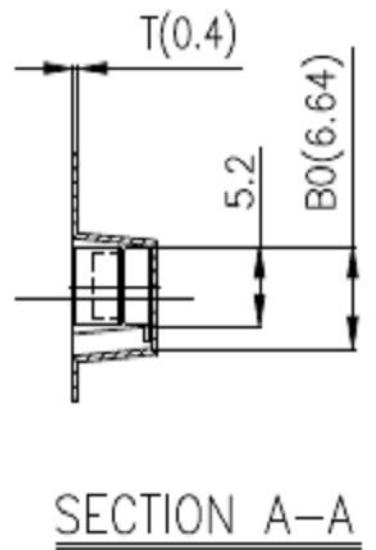
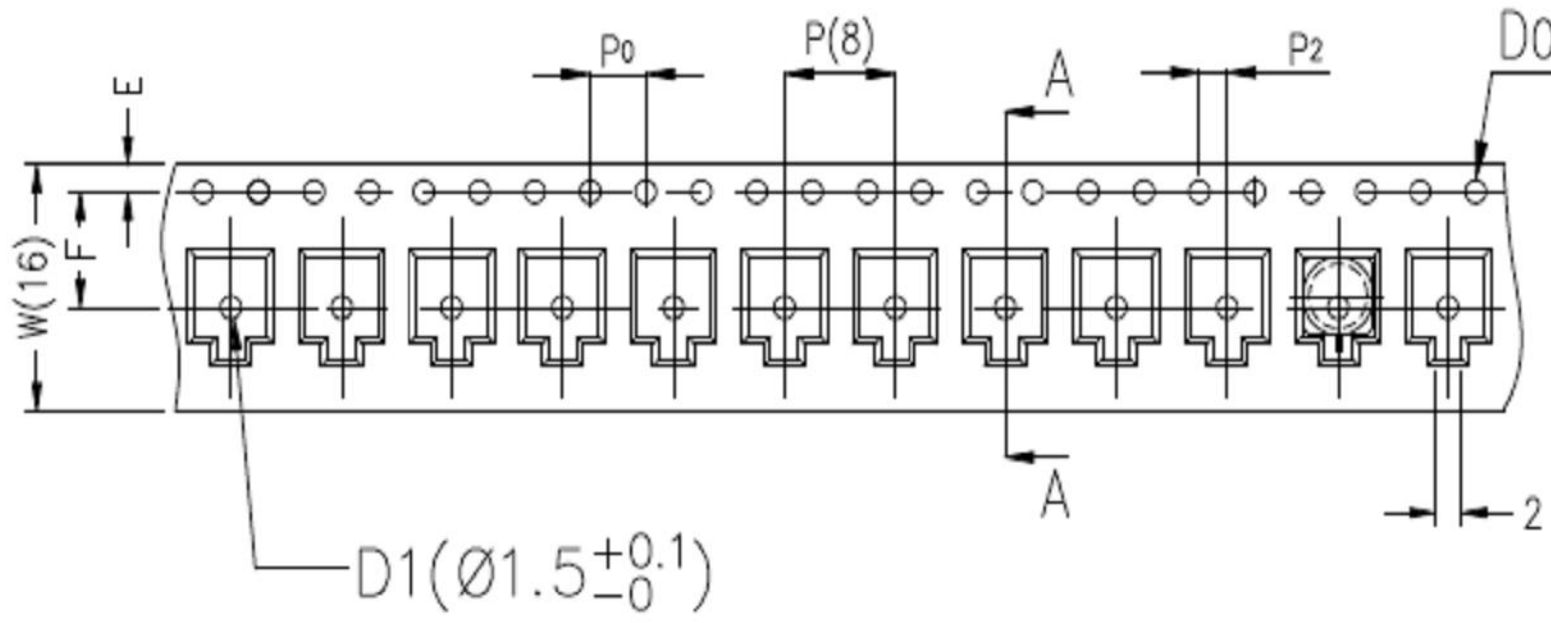
ENGR.1 D INESH A	ENGR.2 L.QIN	DATE 01-MAR-22
------------------	--------------	----------------

SHEET NO. 2 OF 3	SCALE: 22.0:1.0
------------------	-----------------

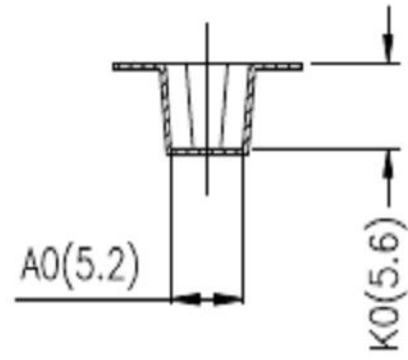
REVISIONS				
REV	DESCRIPTION	DATE	ECN	BY
A	RELEASE TO MFG.	18-Nov-22	16309	SH



此款圆形标识颜色为草绿色



用户取件方向  
USER DIRECTION OF FEEDING



1. 10 sprocket hole pitch cumulative tolerance  $\pm 0.20\text{mm}$ .
2. Carrier camber not to exceed 1mm in 250mm.
3.  $A_0$  and  $B_0$  measured on a plane 0.3mm above the bottom of the pocket.
4.  $K_0$  measured from a plane on the inside bottom of the pocket to the top surface of the carrier.
5. All dimensions meet EIA-481-D requirements.
6. Material: Black Conductive Polystyrene.
7. Thickness:  $0.40 \pm 0.05\text{ mm}$ .
8. Packing length per 13" reel : 11.8 Meters.
9. Component loader per 13" reel : 1400 pcs.

注:未注公差为 $\pm 0.10$ .

NOTE: ALL TOLERANCES ARE:  $\pm 0.10$ , EXCEPT WHERE NOTED

ITEM	W	$A_0$	$B_0$	$K_0$	$K_1$	P	F	E	$D_0$	$D_1$	$P_0$	$P_2$	T
DIM	$16 \pm 0.3$	$5.2 \pm 0.1$	$6.64 \pm 0.1$	$5.6 \pm 0.1$		$8 \pm 0.1$	$7.5 \pm 0.1$	$1.75 \pm 0.1$	$1.5^{+0.1/-0.00}$	$1.5^{+0.1/-0.00}$	$4 \pm 0.1$	$2 \pm 0.1$	$0.4 \pm 0.05$

NOTICE: These drawings, specifications, or other data (1) are, and remain the property of Amphenol corp. (2) must be returned upon request; and (3) are confidential and not to be disclosed to any person other than those to whom they are given by Amphenol Corp. The furnishing of these drawings, specifications, or other data by Amphenol Corp., or to any other person to anyone for any purpose is not to be regarded by implication or otherwise in any manner licensing, granting rights to permitting such holder or any other person to manufacture, use or sell any product, process or design, patented or otherwise, that may in any way be related to or disclosed by said drawings, specifications, or other data.

THIRD ANGLE PROJ. REFERENCE EAR# 8889

UNLESS OTHERWISE SPECIFIED DIMENSIONS ARE METRIC (INCHES) AND TOLERANCES ARE:  
 $< 0.5\text{mm} = \pm 0.05\text{mm}$  [ $< 0.020 = \pm 0.002$ ]  
 $0.5 - 6\text{mm} = \pm 0.1\text{mm}$  [ $> 0.020 - 0.236 = \pm 0.004$ ]  
 $> 6.00 - 30\text{mm} = \pm 0.2\text{mm}$  [ $> 0.236 - 1.181 = \pm 0.008$ ]  
 $> 30.00 - 120\text{mm} = \pm 0.3\text{mm}$  [ $> 1.181 - 4.725 = \pm 0.012$ ]

ANGLES =  $\pm 1^\circ$

MATERIAL  
ENGR.1 D INESH A ENGR.2 L.QIN DATE 01-MAR-22

TITLE  
SMP STR JACK PCB RECEPTACLE LIMITED DETENT SURFACE MOUNT NON-MAGNETIC TAPE & REEL PACKED  
SHEET NO. 3 OF 3 SCALE: 21:0:1.0

**Amphenol RF**  
 SIZE B DRAWING NO. SMP-MSLD-PSR-NM ITEM NO. SMP-MSLD-PSR-NM PART NO. SMP-MSLD-PSR-NM REV A