
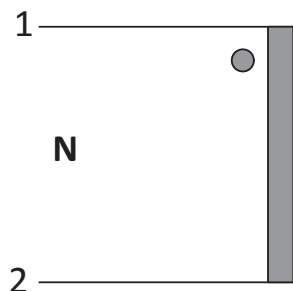
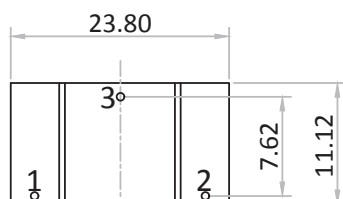
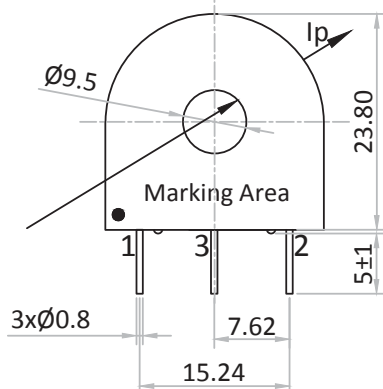


| | | |
|-------------------|---------------------|---|
| Product Type | Current Transformer |  |
| Amgis Part Number | CCX-1050 | |
| | | |
| | | |

SCHMATIC:ELECTRICAL SPECIFICATION:

| | |
|--------------------------------|--------------------------------|
| Rated input current | = 50Amps |
| Accuracy | = Class 1 |
| Operating Frequency | = 50 / 60 Hz |
| Turns Ratio | = 1 : 2500 |
| DC Resistance | = 157 Ω |
| Primary to Secondary Isolation | = 4000VAC |
| Operating Temperature | = -40°C to +85°C |
| Output Voltage | = 0.66V \pm 1% @ 33 Ω |

MECHANICAL SPECIFICATION:Pin Side View:Front View:

Note : Pin#3 \rightarrow Un-used Pin

All dimensions are in mm
 Linear dimensional tolerance
 \pm 0.2mm

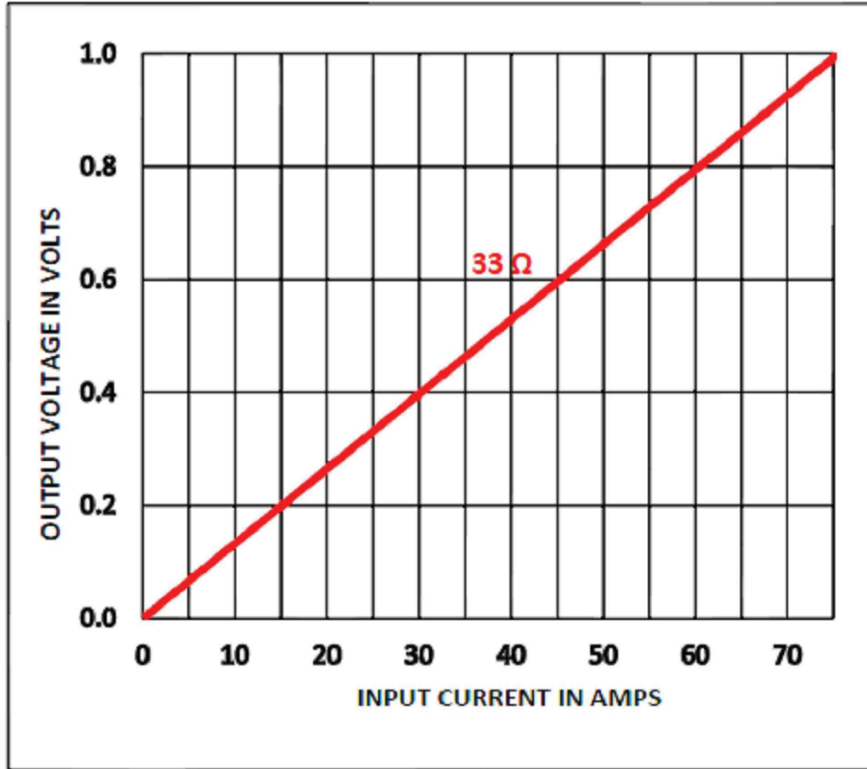
MARKING INFORMATION:

AMGIS
 CCX-1050 ww/yy code

TRAFOWEIGHT:

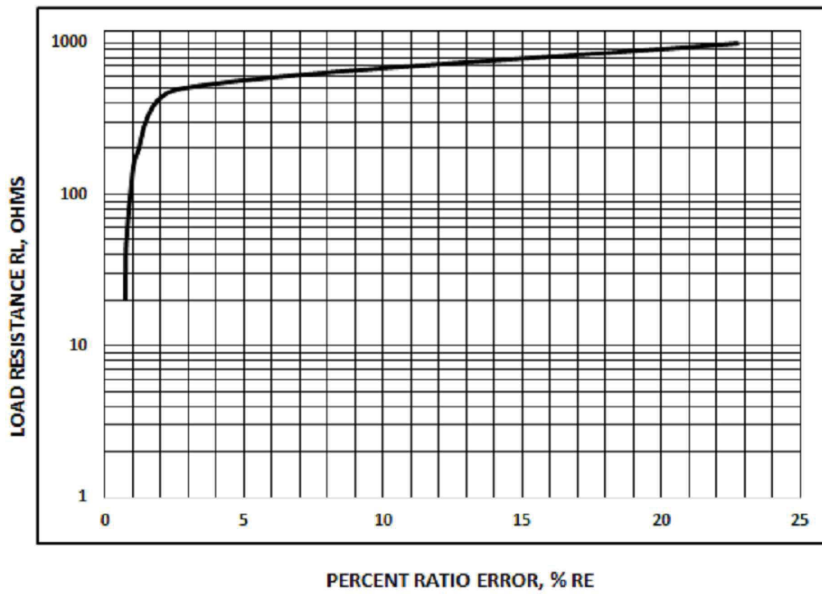
Approx. Weight = 0.031 kg / pc

OUTPUT RESPONSE vs INPUT CURRENT @ RATED BURDEN:



RATIO ERROR vs INPUT CURRENT @ RATED BURDEN:

%RE VS RL AT RATED PRIMARY CURRENT @50A/50HZ



| | | | | | |
|-------------------------|-------|-----|-----------|-----------|------------|
| | | | | | |
| -----Initial Issue----- | 1 | 000 | Perumal.M | J. Castro | 06-02-2018 |
| Changes | Issue | Rel | Prepared | Reviewed | Date |